



sales@eddywireless.com



M95 Hardware Design

GSM/GPRS Module Series

Rev. M95_Hardware_Design_V1.4

Date: 2013-11-04



Our aim is to provide customers with timely and comprehensive service. For any assistance, please contact our company headquarters:

Quectel Wireless Solutions Co., Ltd.

Room 501, Building 13, No.99, Tianzhou Road, Shanghai, China, 200233

Tel: +86 21 5108 6236

Mail: info@quectel.com

Or our local office, for more information, please visit:

<http://www.quectel.com/support/salesupport.aspx>

For technical support, to report documentation errors, please visit:

<http://www.quectel.com/support/techsupport.aspx>

GENERAL NOTES

QUECTEL OFFERS THIS INFORMATION AS A SERVICE TO ITS CUSTOMERS. THE INFORMATION PROVIDED IS BASED UPON CUSTOMERS' REQUIREMENTS. QUECTEL MAKES EVERY EFFORT TO ENSURE THE QUALITY OF THE INFORMATION IT MAKES AVAILABLE. QUECTEL DOES NOT MAKE ANY WARRANTY AS TO THE INFORMATION CONTAINED HEREIN, AND DOES NOT ACCEPT ANY LIABILITY FOR ANY INJURY, LOSS OR DAMAGE OF ANY KIND INCURRED BY USE OF OR RELIANCE UPON THE INFORMATION. ALL INFORMATION SUPPLIED HEREIN ARE SUBJECT TO CHANGE WITHOUT PRIOR NOTICE.

COPYRIGHT

THIS INFORMATION CONTAINED HERE IS PROPRIETARY TECHNICAL INFORMATION OF QUECTEL CO., LTD. TRANSMITTABLE, REPRODUCTION, DISSEMINATION AND EDITING OF THIS DOCUMENT AS WELL AS UTILIZATION OF THIS CONTENTS ARE FORBIDDEN WITHOUT PERMISSION. OFFENDERS WILL BE HELD LIABLE FOR PAYMENT OF DAMAGES. ALL RIGHTS ARE RESERVED IN THE EVENT OF A PATENT GRANT OR REGISTRATION OF A UTILITY MODEL OR DESIGN.

Copyright © Quectel Wireless Solutions Co., Ltd. 2013. All rights reserved.

About the Document

History

Revision	Date	Author	Description
1.0	2011-12-29	Luka WU	Initial
1.1	2012-05-18	Luka WU	<ol style="list-style-type: none"> 1. Added current consumption in GPRS communication mode. 2. Modified AT command AT+QAUDCH in Charter 3.10. 3. Modified the Footprint of recommendation. 4. Updated module package type.
1.2	2012-09-19	Luka WU	<ol style="list-style-type: none"> 1. Updated module functional diagram. 2. Updated Voltage ripple during transmitting. 3. Modified level match reference circuits for 5V peripheral system. 4. Updated SIM card reference circuit. 5. Added module current consumption.
1.3	2013-09-03	Winter CHEN	<ol style="list-style-type: none"> 1. Updated information on module's packaging. 2. Used the new technical document template.
1.4	2013-11-04	Felix YIN	Optimized the parameters of VBAT ripple in Table 24.

Contents

About the Document	2
Contents	3
Table Index	5
Figure Index	6
1 Introduction	8
1.1. Safety Information.....	8
2 Product Concept	10
2.1. General Description.....	10
2.2. Key Features.....	10
2.3. Functional Diagram.....	12
2.4. Evaluation Board.....	13
3 Application Interface	14
3.1. Pin of Modules.....	15
3.1.1. Pin Assignment.....	15
3.1.2. Pin Description.....	17
3.2. Operating Modes.....	20
3.3. Power Supply.....	22
3.3.1. Power Features of Module.....	22
3.3.2. Decrease Supply Voltage Drop.....	22
3.3.3. Reference Design for Power Supply.....	23
3.3.4. Monitor Power Supply.....	24
3.4. Power On and Down Scenarios.....	24
3.4.1. Power On.....	24
3.4.2. Power Down.....	26
3.4.2.1. Power Down Module Using the PWRKEY Pin.....	27
3.4.2.2. Power Down Module Using AT Command.....	27
3.4.2.3. Over-voltage or Under-voltage Automatic Shutdown.....	28
3.4.2.4. Emergency Shutdown Using EMERG_OFF Pin.....	29
3.4.3. Restart.....	30
3.5. Power Saving.....	31
3.5.1. Minimum Functionality Mode.....	31
3.5.2. SLEEP Mode.....	31
3.5.3. Wake Up Module from SLEEP Mode.....	32
3.5.4. Summary of State Transition.....	32
3.6. RTC Backup.....	32
3.7. Serial Interfaces.....	34
3.7.1. UART Port.....	36
3.7.1.1. The Features of UART Port.....	36
3.7.1.2. The Connection of UART.....	37
3.7.1.3. Firmware Upgrade.....	38

3.7.2.	Debug Port	39
3.7.3.	UART Application	40
3.8.	Audio Interfaces.....	42
3.8.1.	Decrease TDD Noise and Other Noise.....	43
3.8.2.	Microphone Interfaces Design	44
3.8.3.	Receiver Interface Design.....	44
3.8.4.	Earphone Interface Design	45
3.8.5.	Loud Speaker Interface Design.....	45
3.8.6.	Audio Characteristics	46
3.9.	SIM Card Interface	46
3.9.1.	SIM Card Application.....	46
3.9.2.	6 Pin SIM Cassette	48
3.10.	Behaviors of The RI.....	49
3.11.	Network Status Indication.....	51
3.12.	Operating Status Indication	51
4	Antenna Interface.....	53
4.1.	RF Reference Design.....	53
4.2.	RF Output Power.....	54
4.3.	RF Receiving Sensitivity.....	54
4.4.	Operating Frequencies.....	55
4.5.	RF Cable Soldering	55
5	Electrical, Reliability and Radio Characteristics	56
5.1.	Absolute Maximum Ratings.....	56
5.2.	Operating Temperature	56
5.3.	Power Supply Ratings	57
5.4.	Current Consumption	58
5.5.	Electro-static Discharge	61
6	Mechanical Dimensions	62
6.1.	Mechanical Dimensions of Module	62
6.2.	Recommended Footprint.....	64
6.3.	Top View of the Module	65
6.4.	Bottom View of the Module	65
7	Storage and Manufacturing	66
7.1.	Storage	66
7.2.	Soldering	67
7.3.	Packaging.....	68
7.3.1.	Tape and Reel packaging.....	68
8	Appendix A Reference.....	70
9	Appendix B GPRS Coding Scheme	75
10	Appendix C GPRS Multi-slot Class	77

Table Index

TABLE 1: MODULE KEY FEATURES	10
TABLE 2: CODING SCHEMES AND MAXIMUM NET DATA RATES OVER AIR INTERFACE	12
TABLE 3: M95 PIN ASSIGNMENT	16
TABLE 4: PIN DESCRIPTION	17
TABLE 5: OVERVIEW OF OPERATING MODES	20
TABLE 6: SUMMARY OF STATE TRANSITION	32
TABLE 7: LOGIC LEVELS OF THE UART INTERFACES	35
TABLE 8: PIN DEFINITION OF THE UART INTERFACES	35
TABLE 9: PIN DEFINITION OF AUDIO INTERFACE	42
TABLE 10: AOUT2 OUTPUT CHARACTERISTICS	43
TABLE 11: TYPICAL ELECTRET MICROPHONE CHARACTERISTICS	46
TABLE 12: TYPICAL SPEAKER CHARACTERISTICS	46
TABLE 13: PIN DEFINITION OF THE SIM INTERFACE	47
TABLE 14: PIN DESCRIPTION OF AMPHENOL SIM CARD HOLDER	48
TABLE 15: BEHAVIORS OF THE RI	49
TABLE 16: WORKING STATE OF THE NETLIGHT	51
TABLE 17: PIN DEFINITION OF THE STATUS	52
TABLE 18: PIN DEFINITION OF THE RF_ANT	53
TABLE 19: THE MODULE CONDUCTED RF OUTPUT POWER	54
TABLE 20: THE MODULE CONDUCTED RF RECEIVING SENSITIVITY	54
TABLE 21: THE MODULE OPERATING FREQUENCIES	55
TABLE 22: ABSOLUTE MAXIMUM RATINGS	56
TABLE 23: OPERATING TEMPERATURE	57
TABLE 24: THE MODULE POWER SUPPLY RATINGS	57
TABLE 25: THE MODULE CURRENT CONSUMPTION	58
TABLE 26: THE ESD ENDURANCE (TEMPERATURE:25°C, HUMIDITY:45 %)	61
TABLE 27: TAPE PACKING	69
TABLE 28: RELATED DOCUMENTS	70
TABLE 29: TERMS AND ABBREVIATIONS	71
TABLE 30: DESCRIPTION OF DIFFERENT CODING SCHEMES	75
TABLE 31: GPRS MULTI-SLOT CLASSES	77

Figure Index

FIGURE 1: MODULE FUNCTIONAL DIAGRAM.....	13
FIGURE 2: PIN ASSIGNMENT	15
FIGURE 3: VOLTAGE RIPPLE DURING TRANSMITTING	22
FIGURE 4: REFERENCE CIRCUIT FOR THE VBAT INPUT	23
FIGURE 5: REFERENCE CIRCUIT FOR POWER SUPPLY	23
FIGURE 6: TURN ON THE MODULE WITH AN OPEN-COLLECTOR DRIVER.....	24
FIGURE 7: TURN ON THE MODULE WITH A BUTTON	25
FIGURE 8: TURN-ON TIMING	26
FIGURE 9: TURN-OFF TIMING	27
FIGURE 10: AN OPEN-COLLECTOR DRIVER FOR EMERG_OFF	29
FIGURE 11: REFERENCE CIRCUIT FOR EMERG_OFF BY USING BUTTON	29
FIGURE 12: TIMING OF RESTARTING SYSTEM.....	30
FIGURE 13: TIMING OF RESTARTING SYSTEM AFTER EMERGENCY SHUTDOWN	30
FIGURE 14: RTC SUPPLY FROM A NON-CHARGEABLE BATTERY	33
FIGURE 15: RTC SUPPLY FROM A RECHARGEABLE BATTERY	33
FIGURE 16: RTC SUPPLY FROM A CAPACITOR	33
FIGURE 17: CHARGING CHARACTERISTICS OF SEIKO'S XH414H-IV01E	34
FIGURE 18: REFERENCE DESIGN FOR FULL-FUNCTION UART	37
FIGURE 19: REFERENCE DESIGN FOR UART PORT.....	38
FIGURE 20: REFERENCE DESIGN FOR UART PORT WITH HARDWARE FLOW CONTROL	38
FIGURE 21: REFERENCE DESIGN FOR FIRMWARE UPGRADE.....	39
FIGURE 22: REFERENCE DESIGN FOR DEBUG PORT	39
FIGURE 23: LEVEL MATCH DESIGN FOR 3.3V SYSTEM.....	40
FIGURE 24: LEVEL MATCH DESIGN FOR 5V SYSTEM.....	41
FIGURE 25: LEVEL MATCH DESIGN FOR RS-232.....	41
FIGURE 26: REFERENCE DESIGN FOR AIN1&AIN2.....	44
FIGURE 27: REFERENCE INTERFACE DESIGN OF AOUT1.....	44
FIGURE 28: EARPHONE INTERFACE DESIGN.....	45
FIGURE 29: LOUD SPEAKER INTERFACE DESIGN.....	45
FIGURE 30: REFERENCE CIRCUIT FOR 6-PIN SIM CARD HOLDER	47
FIGURE 31: AMPHENOL C707 10M006 512 2 SIM CARD HOLDER.....	48
FIGURE 32: RI BEHAVIOR OF VOICE CALLING AS A RECEIVER	50
FIGURE 33: RI BEHAVIOR OF DATA CALLING AS A RECEIVER	50
FIGURE 34: RI BEHAVIOR AS A CALLER	50
FIGURE 35: RI BEHAVIOR OF URC OR SMS RECEIVED	50
FIGURE 36: REFERENCE DESIGN FOR NETLIGHT	51
FIGURE 37: REFERENCE DESIGN FOR STATUS.....	52
FIGURE 38: REFERENCE DESIGN FOR RF	53
FIGURE 39: RF SOLDERING SAMPLE	55
FIGURE 40: M95 MODULE TOP AND SIDE DIMENSIONS (UNIT: MM).....	62
FIGURE 41: M95 MODULE BOTTOM DIMENSIONS (UNIT: MM).....	63

FIGURE 42: RECOMMENDED FOOTPRINT (UNIT: MM)..... 64
FIGURE 43: TOP VIEW OF THE MODULE 65
FIGURE 44: BOTTOM VIEW OF THE MODULE..... 65
FIGURE 45: RAMP-SOAK-SPIKE REFLOW PROFILE..... 67
FIGURE 46: TAPE AND REEL SPECIFICATION 68
FIGURE 47: DIMENSIONS OF REEL..... 69
FIGURE 48: RADIO BLOCK STRUCTURE OF CS-1, CS-2 AND CS-3..... 75
FIGURE 49: RADIO BLOCK STRUCTURE OF CS-4..... 76

Quectel
Confidential

1 Introduction

This document defines the M95 module and describes its hardware interface which are connected with your application and the air interface.

This document can help you quickly understand module interface specifications, electrical and mechanical details. Associated with application notes and user guide, you can use M95 module to design and set up mobile applications easily.

1.1. Safety Information

The following safety precautions must be observed during all phases of the operation, such as usage, service or repair of any cellular terminal or mobile incorporating M95 module. Manufacturers of the cellular terminal should send the following safety information to users and operating personnel and to incorporate these guidelines into all manuals supplied with the product. If not so, Quectel does not take on any liability for your failure to comply with these precautions.



Full attention must be given to driving at all times in order to reduce the risk of an accident. Using a mobile while driving (even with a handsfree kit) cause distraction and can lead to an accident. You must comply with laws and regulations restricting the use of wireless devices while driving.



Switch off the cellular terminal or mobile before boarding an aircraft. Make sure it switched off. The operation of wireless appliances in an aircraft is forbidden to prevent interference with communication systems. Consult the airline staff about the use of wireless devices on boarding the aircraft. If your device offers a Flight Mode which must be enabled prior to boarding an aircraft.



Switch off your wireless device when in hospitals or clinics or other health care facilities. These requests are desinged to prevent possible interference with sentitive medical equipment.



GSM cellular terminals or mobiles operate over radio frequency signal and cellular network and cannot be guaranteed to connect in all conditions, for example no mobile fee or an invalid SIM card. While you are in this condition and need emergent help, please remember using emergency call. In order to make or receive call, the cellular terminal or mobile must be switched on and in a service area with adequate cellular signal strength.



Your cellular terminal or mobile contains a transmitter and receiver. When it is ON , it receives and transmits radio frequency energy. RF interference can occur if it is used close to TV set, radio, computer or other electric equipment.



In locations with potentially explosive atmospheres, obey all posted signs to turn off wireless devices such as your phone or other cellular terminals. Areas with potentially explosive atmospheres including fuelling areas, below decks on boats, fuel or chemical transfer or storage facilities, areas where the air contains chemicals or particles such as grain, dust or metal powders.

Quectel
Confidential

2 Product Concept

2.1. General Description

M95 is a Quad-band GSM/GPRS engine that works at frequencies of GSM850MHz, GSM900MHz, DCS1800MHz and PCS1900MHz. The M95 features GPRS multi-slot class 12 and supports the GPRS coding schemes CS-1, CS-2, CS-3 and CS-4. For more details about GPRS multi-slot classes and coding schemes, please refer to the **Appendix B & C**.

With a tiny profile of 19.9mm×23.6mm×2.65mm, the module can meet almost all the requirements for M2M applications, including Vehicles and Personal Tracking, Security System, Wireless POS, Industrial PDA, Smart Metering, and Remote Maintenance & Control, etc.

M95 is an SMD type module with LCC package, which can be easily embedded into applications. It provides abundant hardware interfaces like Audio and UART Interface.

Designed with power saving technique, the current consumption of M95 is as low as 1.3 mA in SLEEP mode when DRX is 5.

M95 is integrated with Internet service protocols, such as TCP/UDP, FTP and PPP. Extended AT commands have been developed for you to use these Internet service protocols easily.

The module fully complies with the RoHS directive of the European Union.

2.2. Key Features

The following table describes the detailed features of M95 module.

Table 1: Module Key Features

Feature	Implementation
Power supply	Single supply voltage: 3.3V~4.6V Typical supply voltage: 4V

Power saving	Typical power consumption in SLEEP mode: 1.3 mA@ DRX=5 1.2 mA@ DRX=9
Frequency bands	<ul style="list-style-type: none"> ● Quad-band: GSM850, GSM900, DCS1800, PCS1900 ● The module can search these frequency bands automatically ● The frequency bands can be set by AT command ● Compliant to GSM Phase 2/2+
GSM class	Small MS
Transmitting power	<ul style="list-style-type: none"> ● Class 4 (2W) at GSM850 and GSM900 ● Class 1 (1W) at DCS1800 and PCS1900
GPRS connectivity	<ul style="list-style-type: none"> ● GPRS multi-slot class 12(default) ● GPRS multi-slot class 1~12(configurable) ● GPRS mobile station class B
Temperature range	<ul style="list-style-type: none"> ● Normal operation: -35°C ~ +80°C ● Restricted operation: -40°C ~ -35°C and +80°C ~ +85°C ¹⁾ ● Storage temperature: -45°C ~ +90°C
DATA GPRS:	<ul style="list-style-type: none"> ● GPRS data downlink transfer: max. 85.6 kbps ● GPRS data uplink transfer: max. 85.6 kbps ● Coding scheme: CS-1, CS-2, CS-3 and CS-4 ● Support the protocols PAP (Password Authentication Protocol) usually used for PPP connections ● Internet service protocols TCP/UDP,FTP,PPP,HTTP,NTP,PING
CSD:	<ul style="list-style-type: none"> ● Support Packet Broadcast Control Channel (PBCCH) ● CSD transmission rates: 2.4, 4.8, 9.6, 14.4 kbps non-transparent ● Support Unstructured Supplementary Service Data (USSD)
SMS	<ul style="list-style-type: none"> ● Text and PDU mode ● SMS storage: SIM card
SIM interface	Support SIM card: 1.8V, 3V
Audio features	<p>Speech codec modes:</p> <ul style="list-style-type: none"> ● Half Rate (ETS 06.20) ● Full Rate (ETS 06.10) ● Enhanced Full Rate (ETS 06.50 / 06.60 / 06.80) ● Adaptive Multi-Rate (AMR) ● Echo Suppression ● Noise Reduction ● Embedded one amplifier of class AB with maximum driving power up to 800mW
UART interfaces	<p>UART Port:</p> <ul style="list-style-type: none"> ● Seven lines on UART port interface ● Used for AT command, GPRS data and CSD data ● Multiplexing function ● Support autobauding from 4800 bps to 115200 bps <p>Debug Port:</p>

	<ul style="list-style-type: none"> ● Two lines on debug port interface DBG_TXD and DBG_RXD ● Debug Port only used for firmware debugging
Phonebook management	Support phonebook types: SM, ME, FD, ON, MT
SIM Application Toolkit	Support SAT class 3, GSM 11.14 Release 99
Real time clock	Supported
Physical characteristics	Size: 19.9±0.15×23.6±0.15×2.65±0.2mm Weight: Approx. 3g
Firmware upgrade	Firmware upgrade via UART Port
Antenna interface	Connected to antenna pad with 50 Ohm impedance control

NOTE

¹⁾When the module works within this temperature range, the deviations from the GSM specification may occur. For example, the frequency error or the phase error will be increased.

Table 2: Coding Schemes and Maximum Net Data Rates over Air Interface

Coding Scheme	1 Timeslot	2 Timeslot	4 Timeslot
CS-1	9.05kbps	18.1kbps	36.2kbps
CS-2	13.4kbps	26.8kbps	53.6kbps
CS-3	15.6kbps	31.2kbps	62.4kbps
CS-4	21.4kbps	42.8kbps	85.6kbps

2.3. Functional Diagram

The following figure shows a block diagram of M95 and illustrates the major functional parts.

- Radio frequency part
- Power management
- The Peripheral interface
 - Power supply
 - Turn-on/off interface

- UART interfaces
- Audio interfaces
- SIM interface
- RF interface
- RTC interface

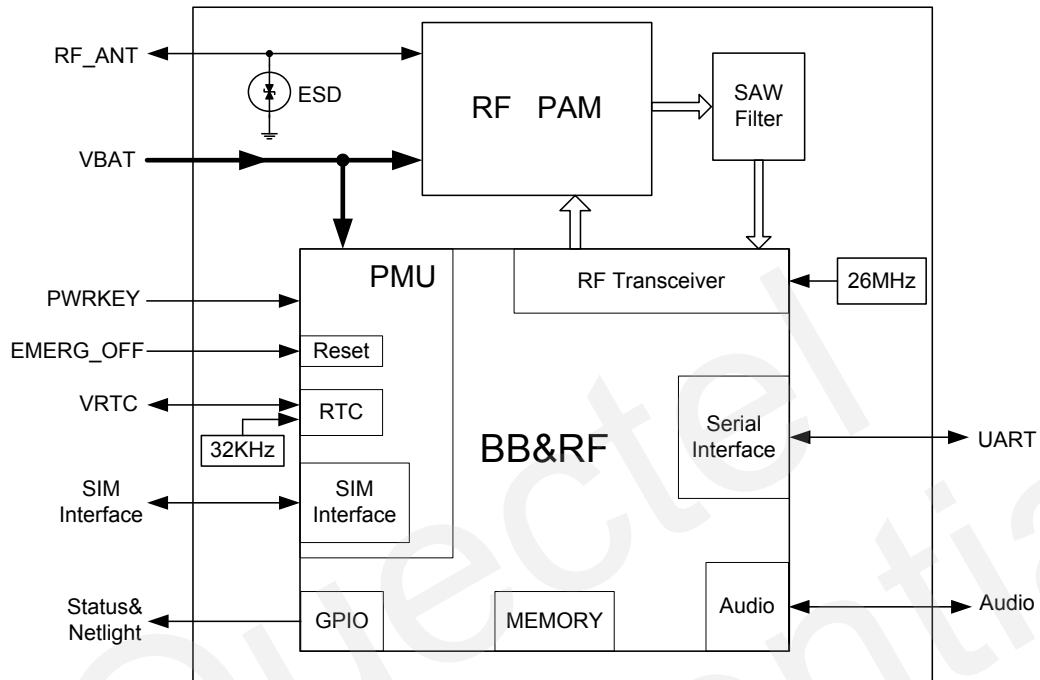


Figure 1: Module Functional Diagram

2.4. Evaluation Board

In order to help you to develop applications with M95, Quectel supplies an evaluation board (EVB), RS-232 to USB cable, power adapter, earphone, antenna and other peripherals to control or test the module. For details, please refer to the *document [12]*.

3 Application Interface

The module adopts LCC package and has 42 pins. The following chapters provide detailed descriptions about these pins below.

- Power supply
- Power on/down
- RTC
- Serial interfaces
- Audio interfaces
- SIM interface

Quectel
Confidential

3.1. Pin of Modules

3.1.1. Pin Assignment

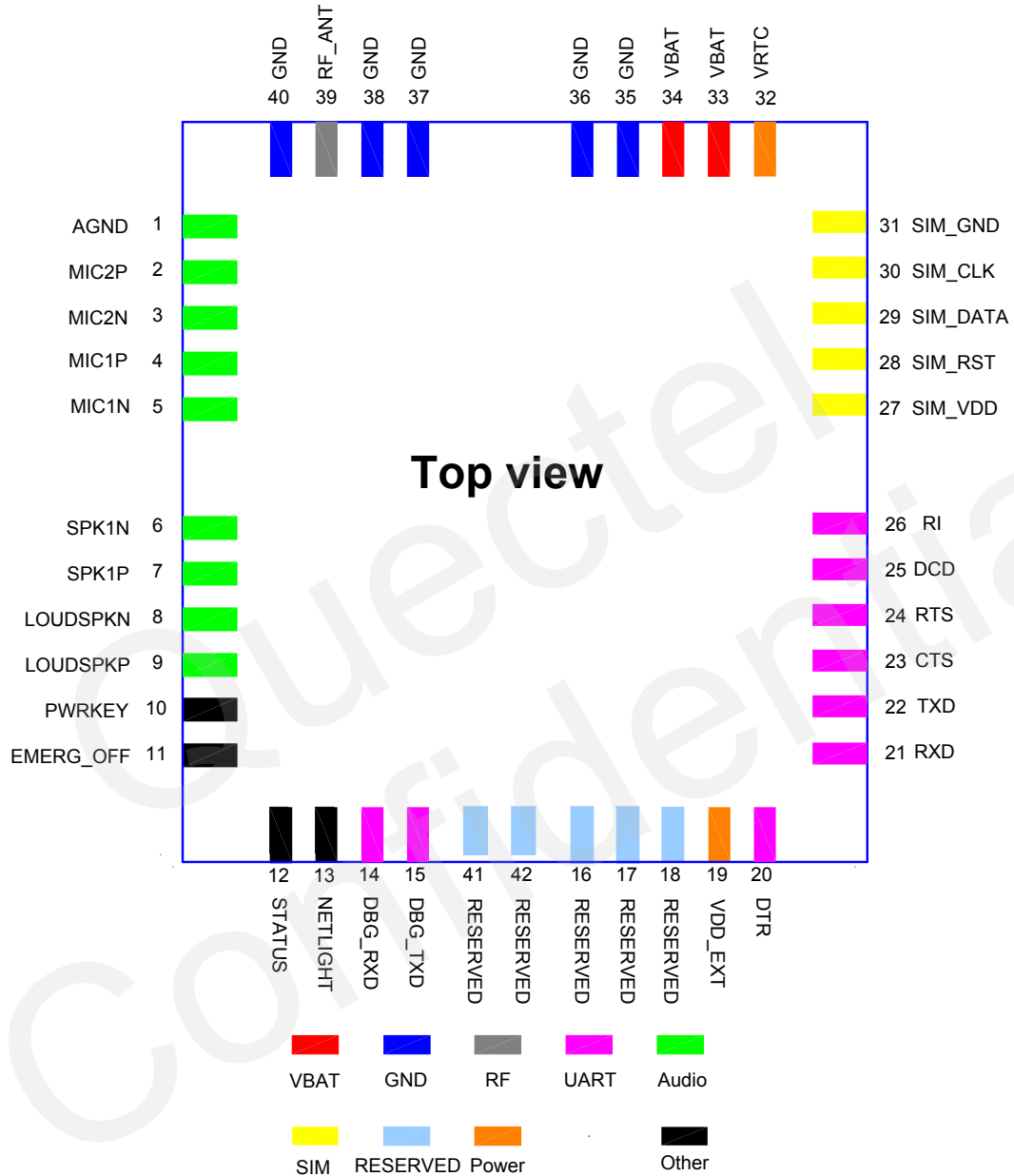


Figure 2: Pin Assignment

Table 3: M95 Pin Assignment

PIN NO.	PIN NAME	PIN NO.	PIN NAME	PIN NO.	PIN NAME
1	AGND	2	MIC2P	3	MIC2N
4	MIC1P	5	MIC1N	6	SPK1N
7	SPK1P	8	LOUDSPKN	9	LOUDSPKP
10	PWRKEY	11	EMERG_OFF	12	STATUS
13	NETLIGHT	14	DBG_RXD	15	DBG_TXD
16	RESERVED	17	RESERVED	18	RESERVED
19	VDD_EXT	20	DTR	21	RXD
22	TXD	23	CTS	24	RTS
25	DCD	26	RI	27	SIM_VDD
28	SIM_RST	29	SIM_DATA	30	SIM_CLK
31	SIM_GND	32	VRTC	33	VBAT
34	VBAT	35	GND	36	GND
37	GND	38	GND	39	RF_ANT
40	GND	41	RESERVED	42	RESERVED

NOTE

Keep all reserved pins open.

3.1.2. Pin Description

Table 4: Pin Description

Power Supply					
PIN NAME	PIN NO.	I/O	DESCRIPTION	DC CHARACTERISTICS	COMMENT
VBAT	33,34	I	Main power supply of module: VBAT=3.3V~4.6V	Vmax= 4.6V Vmin=3.3V Vnorm=4.0V	Make sure that supply sufficient current in a transmitting burst typically rises to 1.6A.
VRTC	32	I/O	Power supply for RTC when VBAT is not supplied for the system. Charging for backup battery or golden capacitor when the VBAT is applied.	VImax=3.3V VImin=1.5V VINorm=2.8V VOMax=2.85V VOMin=2.6V VONorm=2.8V Iout(max)= 1mA Iin=2.6~5 uA	If unused, keep this pin open.
VDD_EXT	19	O	Supply 2.8V voltage for external circuit.	Vmax=2.9V Vmin=2.7V Vnorm=2.8V Imax=20mA	1. If unused, keep this pin open. 2. Recommend to add a 2.2~4.7uF bypass capacitor, when using this pin for power supply.
GND	35,36, 37,38, 40,		Ground		
Turn on/off					
PIN NAME	PIN NO.	I/O	DESCRIPTION	DC CHARACTERISTICS	COMMENT
PWRKEY	10	I	Power on/off key. PWRKEY should be pulled down for a moment to turn on or turn off the system.	VILmax= 0.1×VBAT VIHmin= 0.7×VBAT VImax=VBAT	Pulled up to VBAT internally.
Emergency Shutdown					

PIN NAME	PIN NO.	I/O	DESCRIPTION	DC CHARACTERISTICS	COMMENT
EMERG_OFF	11	I	Emergency off. Pulled down for at least 20ms, which will turn off the module in case of emergency. Use it only when shutdown via PWRKEY or AT command cannot be achieved.	VILmax=0.4V VIHmin=2.2V Vopenmax=2.8V	Open drain/collector driver required in cellular device application. If unused, keep this pin open.

Module Indicator

PIN NAME	PIN NO.	I/O	DESCRIPTION	DC CHARACTERISTICS	COMMENT
STATUS	12	O	Indicate module's operating status. Output high level when module turns on, while output low level when module turns off.	VOHmin= 0.85×VDD_EXT VOLmax= 0.15×VDD_EXT	If unused, keep this pin open.

Audio Interfaces

PIN NAME	PIN NO.	I/O	DESCRIPTION	DC CHARACTERISTICS	COMMENT
MIC1P MIC1N	4, 5	I	Channel 1 positive and negative voice input		If unused, keep these pins open.
MIC2P MIC2N	2, 3	I	Channel 2 positive and negative voice input		
SPK1P SPK1N	7, 6	O	Channel 1 positive and negative voice output		1. If unused, keep these pins open. 2. Support both voice and ringtone output.
AGND	1		Analog ground. Separate ground connection for external audio circuits.	Refer to Section 3.8	1. If unused, keep this pin open.
LOUD SPKN LOUD SPKP	8, 9	O	Channel 3 positive and negative voice output		1. If unused, keep these pins open. 2. Integrate a Class- AB amplifier internally. 3. Support both voice and ringtone output.

Network Status Indicator

PIN NAME	PIN NO.	I/O	DESCRIPTION	DC CHARACTERISTICS	COMMENT
NETLIGHT	13	O	Network status indication	VOHmin= 0.85×VDD_EXT VOLmax= 0.15×VDD_EXT	If unused, keep this pin open.

UART Port

PIN NAME	PIN NO.	I/O	DESCRIPTION	DC CHARACTERISTICS	COMMENT
DTR	20	I	Data terminal ready	VILmin=0V	
RXD	21	I	Receive data	VILmax= 0.25×VDD_EXT	If only use TXD, RXD and GND to communicate, recommended connecting RTS to GND via 0R resistor and keeping other pins open.
TXD	22	O	Transmit data	VIHmin= 0.75×VDD_EXT	
RTS	24	I	Request to send	VIHmax= VDD_EXT+0.3	
CTS	23	O	Clear to send	VOHmin= 0.85×VDD_EXT	
RI	26	O	Ring indication	VOLmax= 0.15×VDD_EXT	
DCD	25	O	Data carrier detection		

Debug Port

PIN NAME	PIN NO.	I/O	DESCRIPTION	DC CHARACTERISTICS	COMMENT
DBG_TXD	15	O	Transmit data	Same as above	If unused, keep these pins open.
DBG_RXD	14	I	Receive data		

SIM Interface

PIN NAME	PIN NO.	I/O	DESCRIPTION	DC CHARACTERISTICS	COMMENT
SIM_VDD	27	O	Power supply for SIM card	The voltage can be selected by software automatically. Either 1.8V or 3V.	All signals of SIM interface should be protected against ESD with a TVS diode array.
SIM_CLK	30	O	SIM clock	3V: VOLmax=0.4 VOHmin= 0.9×SIM_VDD 1.8V: VOLmax=	Maximum trace length is 200mm from the module pad to SIM card holder.

				0.12×SIM_VDD VOHmin= 0.9×SIM_VDD
SIM_DATA	29	I/O	SIM data	3V: VOLmax=0.4 VOHmin= SIM_VDD-0.4 1.8V: VOLmax= 0.15×SIM_VDD VOHmin= SIM_VDD-0.4
SIM_RST	28	O	SIM reset	3V: VOLmax=0.36 VOHmin= 0.9×SIM_VDD 1.8V: VOLmax= 0.2×SIM_VDD VOHmin= 0.9×SIM_VDD
SIM_GND	31		SIM ground	

RF Interface						
PIN NAME	PIN NO.	I/O	DESCRIPTION	DC CHARACTERISTICS	COMMENT	
RF_ANT	39	I/O	RF antenna pad	Impedance of 50Ω		

3.2. Operating Modes

The table below briefly summarizes the various operating modes in the following chapters.

Table 5: Overview of Operating Modes

Mode	Function	
Normal operation	GSM/GPRS Sleep	The module will automatically go into Sleep Mode if DTR is set to high level and there is no interrupt (such as GPIO interrupt or data on UART port). In this case, the current

	consumption of module will reduce to the minimal level. During Sleep Mode, the module can still receive paging message and SMS from the system normally.
GSM IDLE	Software is active. The module has registered to the GSM network, and the module is ready to send and receive GSM data.
GSM TALK	GSM connection is ongoing. In this mode, the power consumption is decided by the configuration of Power Control Level (PCL), dynamic DTX control and the working RF band.
GPRS IDLE	The module is not registered to GPRS network. The module is not reachable through GPRS channel.
GPRS STANDBY	The module is registered to GPRS network, but no GPRS PDP context is active. The SGSN knows the Routing Area where the module is located at.
GPRS READY	The PDP context is active, but no data transfer is ongoing. The module is ready to receive or send GPRS data. The SGSN knows the cell where the module is located at.
GPRS DATA	There is GPRS data in transfer. In this mode, power consumption is decided by the PCL, working RF band and GPRS multi-slot configuration.
POWER DOWN	Normal shutdown by sending the “AT+QPOWD=1” command, using the PWRKEY or the EMERG_OFF ¹⁾ pin. The power management ASIC disconnects the power supply from the base band part of the module, and only the power supply for the RTC is remained. Software is not active. The UART interfaces are not accessible. Operating voltage (connected to VBAT) remains applied.
Minimum Functionality Mode (without removing power supply)	“AT+CFUN” command can set the module to a minimum functionality mode without removing the power supply. In this case, the RF part of the module will not work or the SIM card will not be accessible, or both RF part and SIM card will be disabled, but the UART port is still accessible. The power consumption in this case is very low.

NOTE

Use the EMERG_OFF pin only when failing to turn off the module by the command “AT+QPOWD=1” and the PWRKEY pin. For more details, please refer to the Section 3.4.2.4.

3.3. Power Supply

3.3.1. Power Features of Module

The power supply is one of the key issues in designing GSM terminals. Because of the 577us radio burst in GSM every 4.615ms, power supply must be able to deliver high current peaks in a burst period. During these peaks, drops on the supply voltage must not exceed minimum working voltage of module.

For the M95 module, the max current consumption could reach to 1.6A during a transmit burst. It will cause a large voltage drop on the VBAT. In order to ensure stable operation of the module, it is recommended that the max voltage drop during the transmit burst does not exceed 400mV.

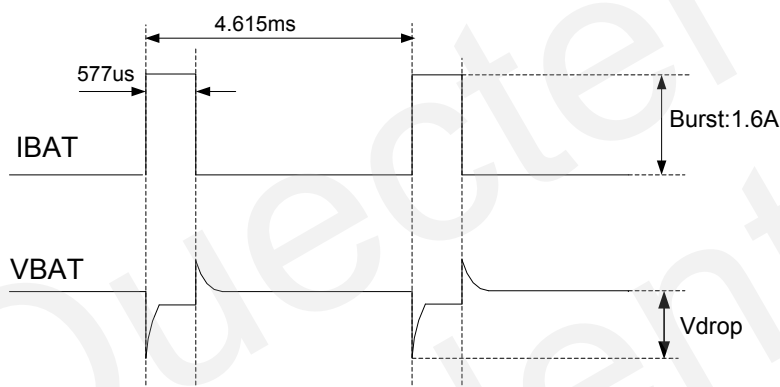


Figure 3: Voltage Ripple during Transmitting

3.3.2. Decrease Supply Voltage Drop

The power supply range of the module is 3.3V to 4.6V. Make sure that the input voltage will never drop below 3.3V even in a transmitting burst. If the power voltage drops below 3.3V, the module could turn off automatically. For better power performance, it is recommended to place a 100uF tantalum capacitor with low ESR (ESR=0.7Ω) and ceramic capacitor 100nF, 33pF and 10pF near the VBAT pin. The reference circuit is illustrated in Figure 4.

The VBAT route should be wide enough to ensure that there is not too much voltage drop during transmit burst. The width of trace should be no less than 2mm and the principle of the VBAT route is the longer route, the wider trace.

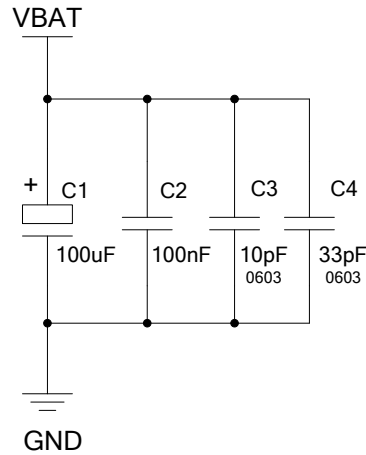


Figure 4: Reference Circuit for the VBAT Input

3.3.3. Reference Design for Power Supply

The power design for the module is very important, since the performance of power supply for the module largely depends on the power source. The power supply is capable of providing the sufficient current up to 2A at least. If the voltage drop between the input and output is not too high, it is suggested to use a LDO as module's power supply. If there is a big voltage difference between the input source and the desired output (VBAT), a switcher power converter is recommended to use as a power supply.

Figure 5 shows a reference design for +5V input power source. The designed output for the power supply is 4.16V and the maximum load current is 3A. In addition, in order to get a stable output voltage, a zener diode is placed close to the pins of VBAT. As to the zener diode, it is suggested to use a zener diode which reverse zener voltage is 5.1V and dissipation power is more than 1 Watt.

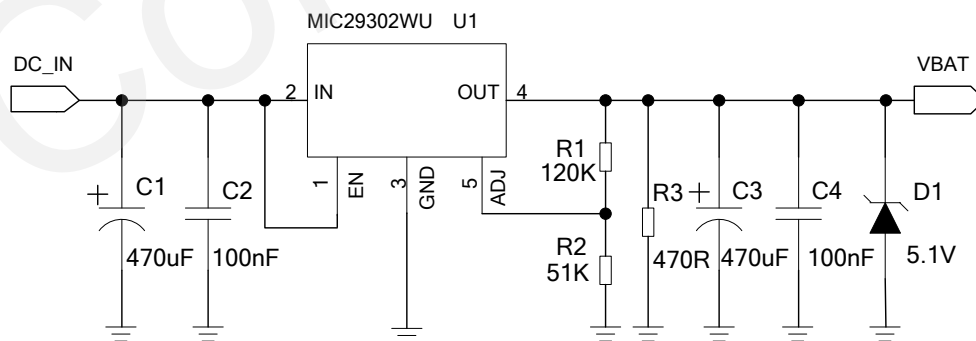


Figure 5: Reference Circuit for Power Supply

3.3.4. Monitor Power Supply

To monitor the supply voltage, you can use the “AT+CBC” command which includes three parameters: charging status, remaining battery capacity and voltage value (in mV). It returns the 0-100 percent of battery capacity and actual value measured between VBAT and GND. The voltage is automatically measured in period of 5s. The displayed voltage (in mV) is averaged over the last measuring period before the “AT+CBC” command is executed.

For details, please refer to the *document [1]*.

3.4. Power On and Down Scenarios

3.4.1. Power On

The module can be turned on by driving the pin PWRKEY to a low level voltage, and after STATUS pin outputs a high level, PWRKEY pin can be released. You may monitor the level of the STATUS pin to judge whether the module is power-on or not. An open collector driver circuit is suggested to control the PWRKEY. A simple reference circuit is illustrated as below.

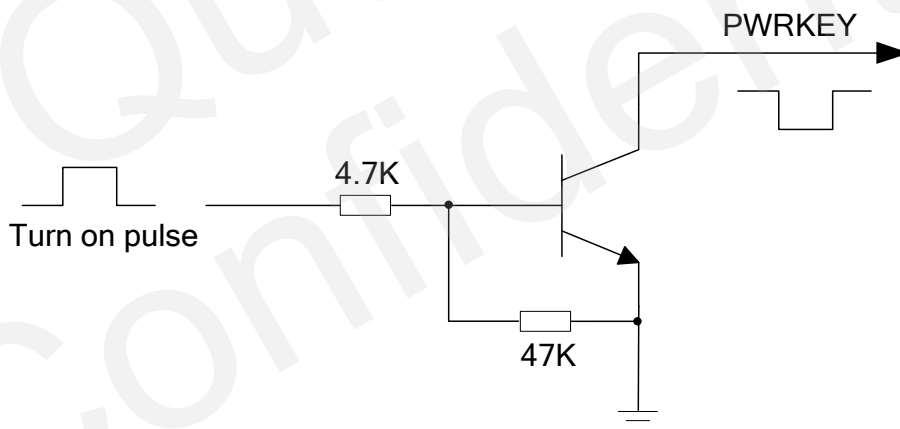


Figure 6: Turn On the Module with an Open-collector Driver

NOTE

M95 module is set to autobauding mode (AT+IPR=0) by default. In the autobauding mode, URC “RDY” is not reported to the host controller after module is powered on. When the module receives AT command, it will be powered on after a delay of 2 or 3 seconds. Host controller should first send an “AT” or “at” string in order that the module can detect baud rate of host controller, and it should send the second or the third “AT” or “at” string until receiving “OK” string from the module. Then enter “AT+IPR=x;&W” to set a fixed

baud rate for the module and save the configuration to flash memory of the module. After these configurations, the URC “RDY” would be received from the UART Port of the module every time when the module is powered on. For more details, refer to the section “AT+IPR” in **document [1]**.

The other way to control the PWRKEY is through a button directly. A TVS component is indispensable to be placed nearby the button for ESD protection. For the best performance, the TVS component must be placed nearby the button. When pressing the key, electrostatic strike may generate from finger. A reference circuit is shown in the following figure.

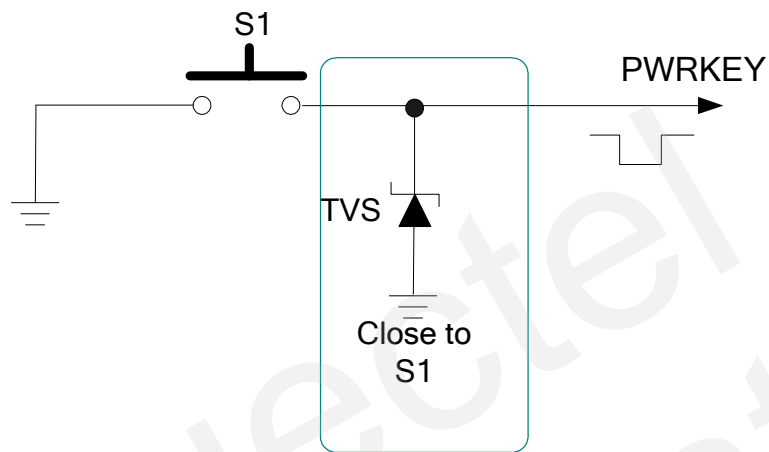


Figure 7: Turn On the Module with a Button

The turn-on timing is illustrated as the following figure.

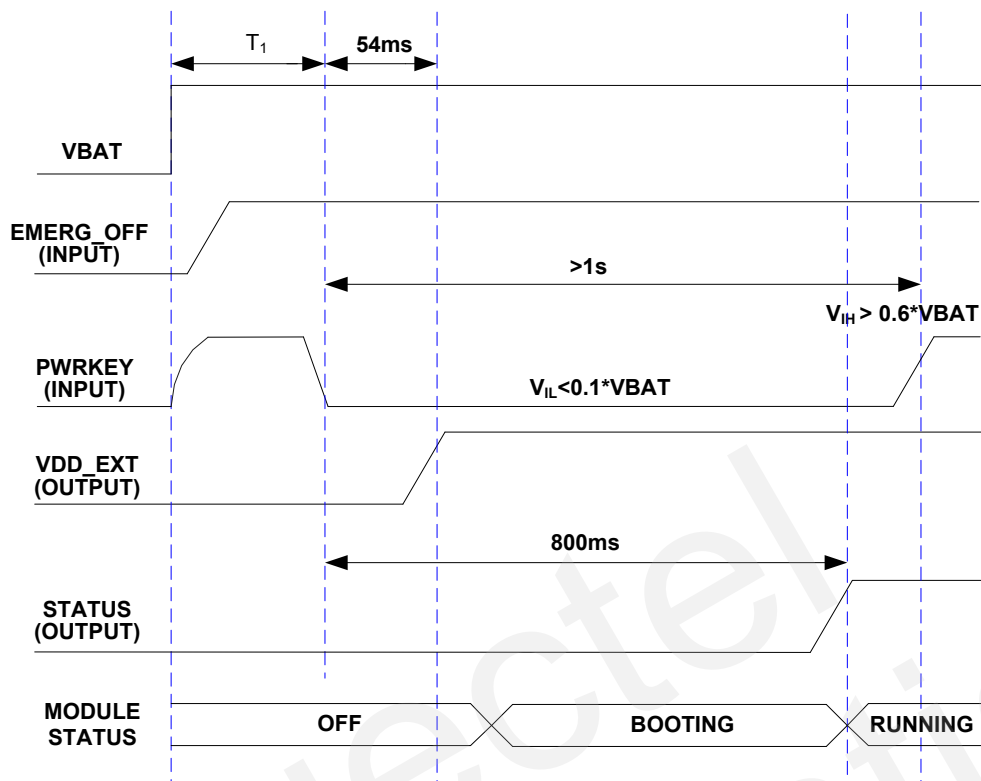


Figure 8: Turn-on Timing

NOTES

1. Make sure that VBAT is stable before pulling down PWRKEY pin. The time of T_1 is recommended 30ms.
2. EMERG_OFF should be floated when it is unused.

You can monitor the voltage level of the STATUS pin to judge whether the module is power-on. After the STATUS pin goes to high level, PWRKEY can be released. If the STATUS pin is ignored, pull the PWRKEY pin to low level for more than 2 seconds to turn on the module.

3.4.2. Power Down

The following procedures can be used to turn off the module:

- Normal power down procedure: Turn off module using the PWRKEY pin.
- Normal power down procedure: Turn off module using command "AT+QPOWD".
- Over-voltage or under-voltage automatic shutdown: Take effect when over-voltage or under-voltage is detected.
- Emergent power down procedure: Turn off module using the EMERG_OFF pin.

3.4.2.1. Power Down Module Using the PWRKEY Pin

It is a safe way to turn off the module by driving the PWRKEY to a low level voltage for a certain time. The power down scenario is illustrated in Figure 9.

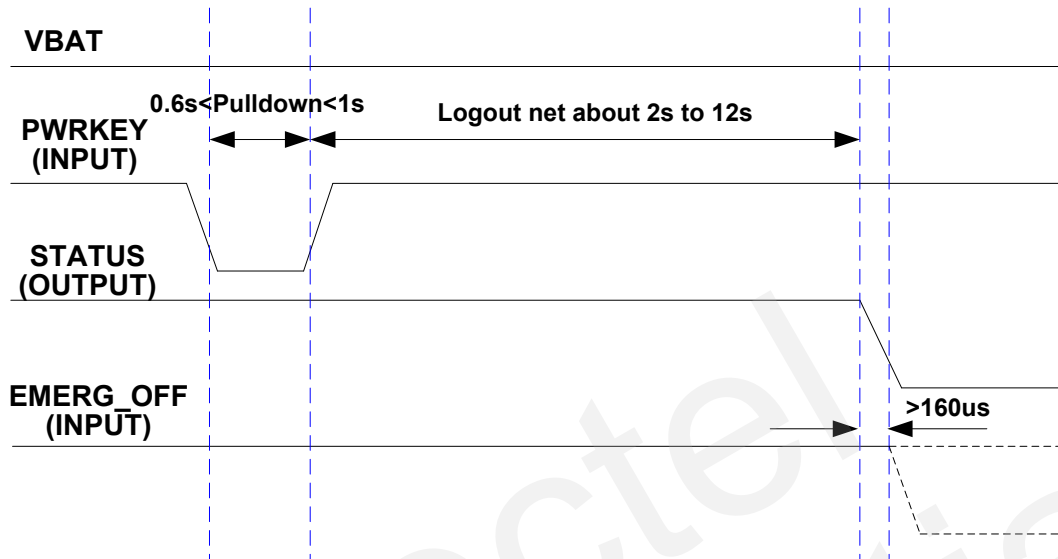


Figure 9: Turn-off Timing

The power down procedure causes the module to log off from the network and allows the firmware to save important data before completely disconnecting the power supply.

Before the completion of the power down procedure, the module sends out the result code shown below:

NORMAL POWER DOWN

NOTE

This result code does not appear when autobauding is active and DTE and DCE are not correctly synchronized after start-up. The module is recommended to set a fixed baud rate.

After that moment, no further AT commands can be executed. Then the module enters the power down mode, only the RTC is still active. The power down mode can also be indicated by the STATUS pin, which is a low level voltage in this mode.

3.4.2.2. Power Down Module Using AT Command

It is also a safe way to turn off the module via AT command “AT+QPOWD=1”. This command will let the module to log off from the network and allow the firmware to save important data before completely

disconnecting the power supply.

Before the completion of the power down procedure the module sends out the result code shown below:

NORMAL POWER DOWN

After that moment, no further AT commands can be executed. And then the module enters the power down mode, only the RTC is still active. The power down mode can also be indicated by STATUS pin, which is a low level voltage in this mode.

Please refer to the **document [1]** for details about the AT command “**AT+QPOWD**”.

3.4.2.3. Over-voltage or Under-voltage Automatic Shutdown

The module will constantly monitor the voltage applied on the VBAT, if the voltage is $\leq 3.5V$, the following URC will be presented:

UNDER_VOLTAGE WARNING

If the voltage is $\geq 4.5V$, the following URC will be presented:

OVER_VOLTAGE WARNING

The normal input voltage range is from 3.3V to 4.6V. If the voltage is $> 4.6V$ or $< 3.3V$, the module would automatically shut down itself.

If the voltage is $< 3.3V$, the following URC will be presented:

UNDER_VOLTAGE POWER DOWN

If the voltage is $> 4.6V$, the following URC will be presented:

OVER_VOLTAGE POWER DOWN

NOTE

These result codes do not appear when autobauding is active and DTE and DCE are not correctly synchronized after start-up. The module is recommended to set to a fixed baud rate.

After that moment, no further AT commands can be executed. The module logs off from network and enters power down mode, and only RTC is still active. The power down mode can also be indicated by the pin STATUS, which is a low level voltage in this mode.

3.4.2.4. Emergency Shutdown Using EMERG_OFF Pin

The module can be shut down by driving the pin EMERG_OFF to a low level voltage over 20ms and then releasing it. The EMERG_OFF line can be driven by an open-drain/collector driver or a button. The circuit is illustrated as the following figures.

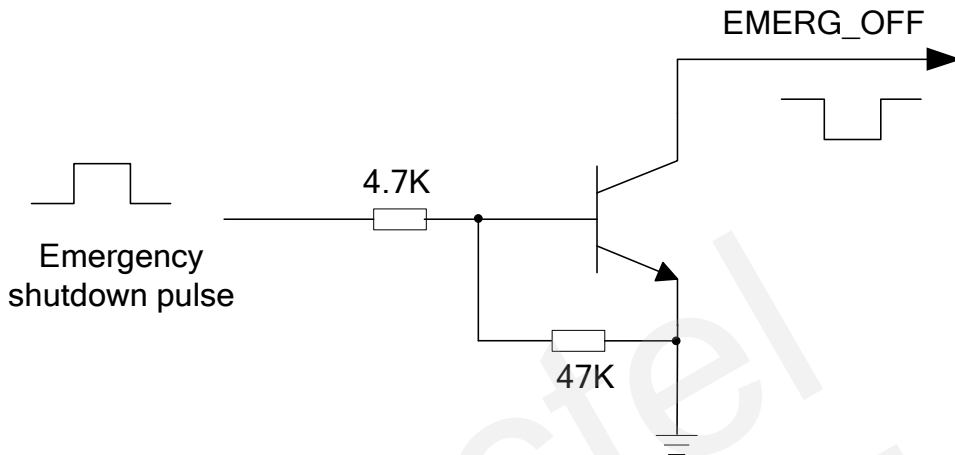


Figure 10: An open-collector Driver for EMERG_OFF

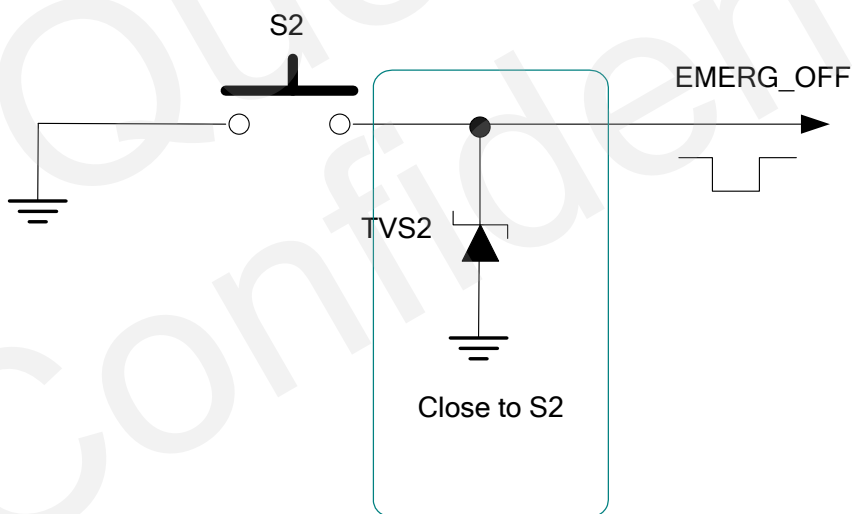


Figure 11: Reference Circuit for EMERG_OFF by Using Button

Be cautious to use the pin EMERG_OFF. It should only be used under emergent situation. For instance, if the module is unresponsive or abnormal, the pin EMERG_OFF could be used to shut down the system. Although turning off the module by EMERG_OFF is fully tested and nothing wrong detected, this operation is still a big risk as it could cause destroying of the code or data area of the flash memory in the module. Therefore, it is recommended that PWRKEY or AT command should always be the preferential way to turn off the system.

3.4.3. Restart

You can restart the module by driving the PWRKEY to a low level voltage for a certain time, which is similar to the way of turning on module. Before restarting the module, at least 500ms should be delayed after detecting the low level of STATUS. The restart timing is illustrated as the following figure.

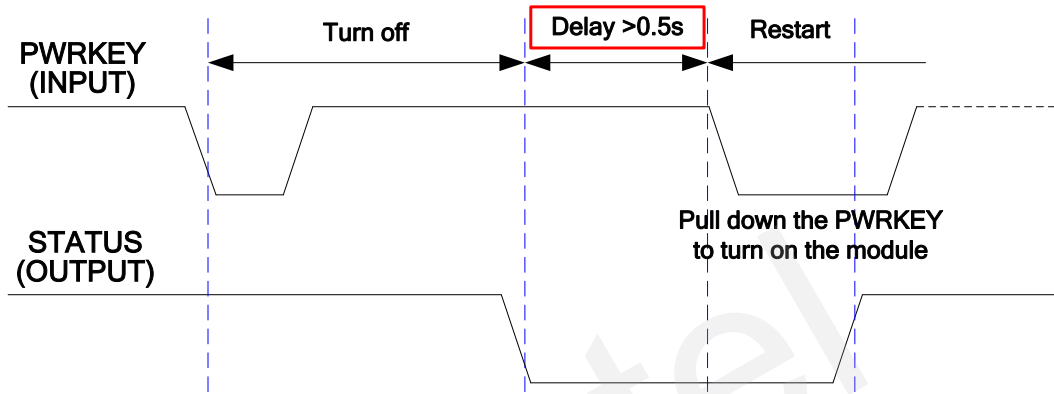


Figure 12: Timing of Restarting System

The module can also be restarted by the PWRKEY after emergency shutdown.

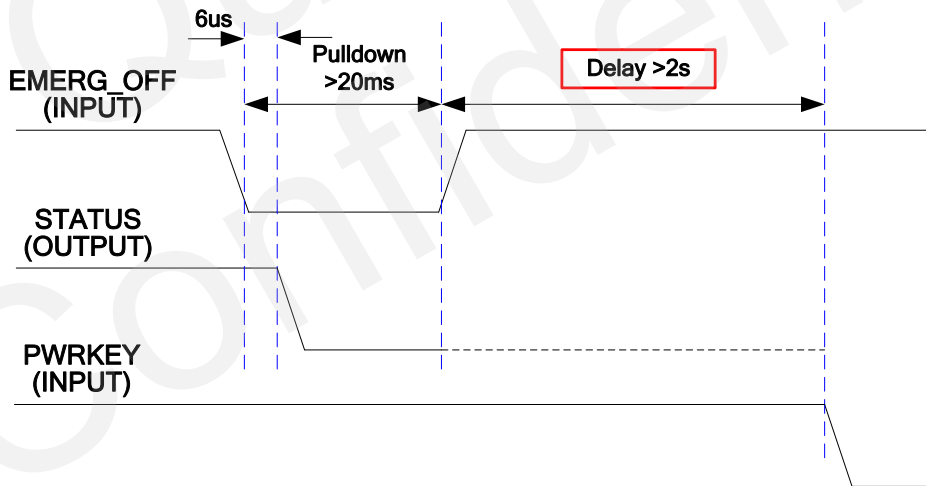


Figure 13: Timing of Restarting System after Emergency Shutdown

3.5. Power Saving

Based on system requirements, there are several actions to drive the module to enter low current consumption status. For example, “AT+CFUN” can be used to set module into minimum functionality mode and DTR hardware interface signal can be used to lead system to SLEEP mode.

3.5.1. Minimum Functionality Mode

Minimum functionality mode reduces the functionality of the module to a minimum level. The consumption of the current can be minimized when the slow clocking mode is activated at the same time. The mode is set with the “AT+CFUN” command which provides the choice of the functionality levels <fun>=0, 1, 4.

- 0: minimum functionality.
- 1: full functionality (default).
- 4: disable both transmitting and receiving of RF part.

If the module is set to minimum functionality by “AT+CFUN=0”, the RF function and SIM card function would be disabled. In this case, the UART port is still accessible, but all AT commands related with RF function or SIM card function will be not available.

If the module has been set by the command with “AT+CFUN=4”, the RF function will be disabled, but the UART port is still active. In this case, all AT commands related with RF function will be not available.

After the module is set by “AT+CFUN=0” or “AT+CFUN=4”, it can return to full functionality by “AT+CFUN=1”.

For detailed information about “AT+CFUN”, please refer to the **document [1]**.

3.5.2. SLEEP Mode

The SLEEP mode is disabled by default. You can enable it by “AT+QSCLK=1”. On the other hand, the default setting is “AT+QSCLK=0” and in this mode, the module cannot enter SLEEP mode.

When the module is set by the command with “AT+QSCLK=1”, you can control the module to enter or exit from the SLEEP mode through pin DTR. When DTR is set to high level, and there is no on-air or hardware interrupt such as GPIO interrupt or data on UART port, the module will enter SLEEP mode automatically. In this mode, the module can still receive voice, SMS or GPRS paging from network, but the UART port does not work.

3.5.3. Wake Up Module from SLEEP Mode

When the module is in the SLEEP mode, the following methods can wake up the module.

- If the DTR Pin is set low, it would wake up the module from the SLEEP mode. The UART port will be active within 20ms after DTR is changed to low level.
- Receive a voice or data call from network wakes up module.
- Receive an SMS from network wakes up module.

NOTES

DTR pin should be held at low level during communication between the module and DTE.

3.5.4. Summary of State Transition

Table 6: Summary of State Transition

Current Mode	Next Mode		
	Power Down	Normal Mode	Sleep Mode
Power down		Use PWRKEY	
Normal mode	AT+QPOWD, use PWRKEY pin, or use EMERG_OFF pin		Use AT command "AT+QSCLK=1" and pull DTR up
SLEEP mode	Use PWRKEY pin, or use EMERG_OFF pin	Pull DTR down or incoming voice call or SMS or data call	

3.6. RTC Backup

The RTC (Real Time Clock) function is supported by M95 module. The RTC is designed to work with an external 32.768KHZ crystal and an internal power supply. If VBAT voltage is not present, a backup power supply such as a coin-cell battery (rechargeable or non-chargeable) or a super-cap can be used. The VRTC pin is voltage input for RTC and a 1.5K resistor is integrated in the module for peak current limit.

The following figures show various sample circuits for RTC backup.

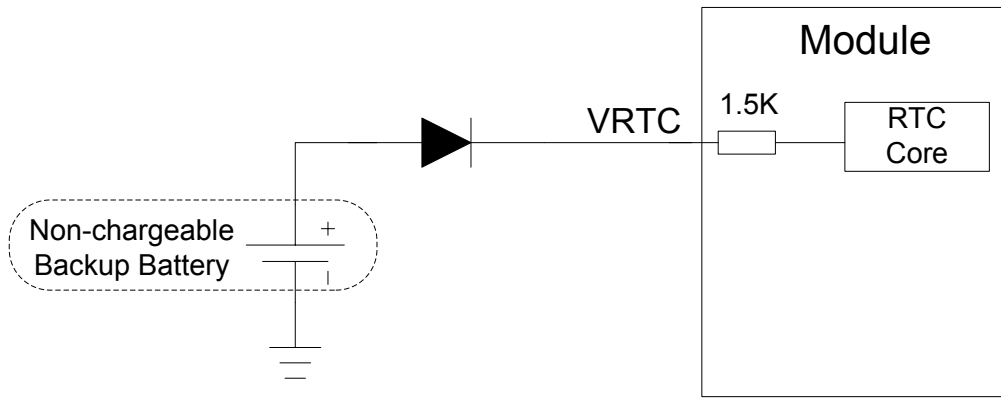


Figure 14: RTC Supply from a Non-chargeable Battery



Figure 15: RTC Supply from a Rechargeable Battery



Figure 16: RTC Supply from a Capacitor

The following figure shows the charging characteristics of a coin-type rechargeable battery XH414H-IV01E from Seiko.

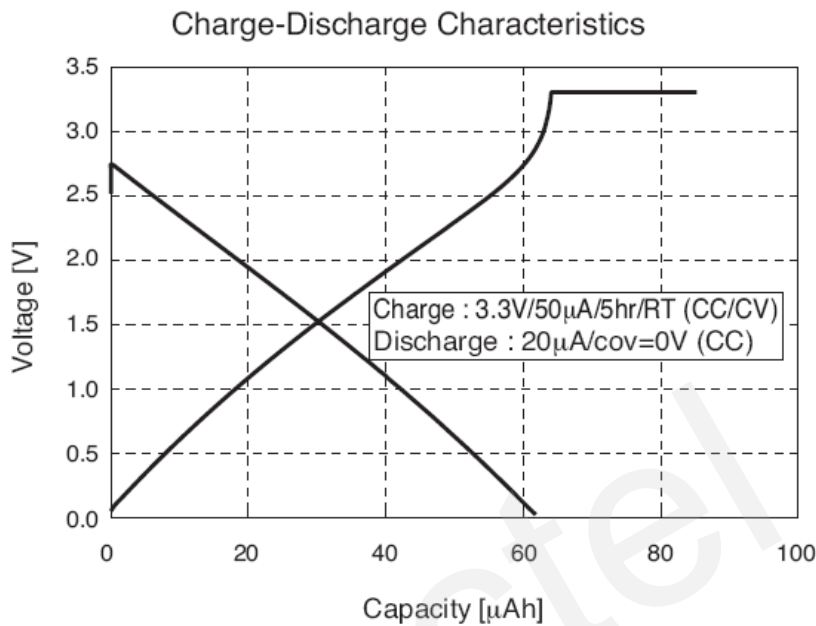


Figure 17: Charging Characteristics of Seiko's XH414H-IV01E

3.7. Serial Interfaces

The module provides two serial ports: UART Port and Debug Port .The module is designed as a DCE (Data Communication Equipment), following the traditional DCE-DTE (Data Terminal Equipment) connection. Autobauding function supports baud rate from 4800bps to 115200bps.

The UART Port:

- TXD: Send data to RXD of DTE.
- RXD: Receive data from TXD of DTE.
- RTS: Request to send.
- CTS: Clear to send.
- DTR: DTE is ready and inform DCE (this pin can wake the module up).
- RI: Ring indicator (when the call, SMS, data of the module are coming, the module will output signal to inform DTE).
- DCD: Data carrier detection (the validity of this pin demonstrates the communication link is set up).

NOTE

The module disables hardware flow control by default. When hardware flow control is required, RTS and CTS should be connected to the host. AT command “AT+IFC=2,2” is used to enable hardware flow control. AT command “AT+IFC=0,0” is used to disable the hardware flow control. For more details, please refer to the **document [1]**.

The Debug Port:

- DBG_TXD: Send data to the COM port of computer.
- DBG_RXD: Receive data from the COM port of computer.

The logic levels are described in the following table.

Table 7: Logic Levels of the UART Interfaces

Parameter	Min	Max	Unit
V _{IL}	0	0.25×VDD_EXT	V
V _{IH}	0.75×VDD_EXT	VDD_EXT +0.3	V
VOL	0	0.15×VDD_EXT	V
VOH	0.85×VDD_EXT	VDD_EXT	V

Table 8: Pin Definition of the UART Interfaces

Interfaces	Pin No.	Pin Name	Description
Debug Port	14	DBG_RXD	Receive data
	15	DBG_TXD	Transmit data
UART Port	20	DTR	Data terminal ready
	21	RXD	Receive data
	22	TXD	Transmit data
	23	CTS	Clear to send
	24	RTS	Request to send

25	DCD	Data carrier detection
26	RI	Ring indication

3.7.1. UART Port

3.7.1.1. The Features of UART Port

- Seven lines on UART interface.
- Contain data lines TXD and RXD, hardware flow control lines RTS and CTS, other control lines DTR, DCD and RI.
- Used for AT command, GPRS data, etc. Multiplexing function is supported on the UART Port. So far only the basic mode of multiplexing is available.
- Support the communication baud rates as the following:
300, 600, 1200, 2400, 4800, 9600, 14400, 19200, 28800, 38400, 57600, 115200.
- The default setting is autobauding mode. Support the following baud rates for Autobauding function:
4800, 9600, 19200, 38400, 57600, 115200.
- The module disables hardware flow control by default. AT command "AT+IFC=2,2" is used to enable hardware flow control.

After setting a fixed baud rate or autobauding, please send "AT" string at that rate. The UART port is ready when it responds "OK".

Autobauding allows the module to detect the baud rate by receiving the string "AT" or "at" from the host or PC automatically, which gives module flexibility without considering which baud rate is used by the host controller. Autobauding is enabled by default. To take advantage of the autobauding mode, special attention should be paid according to the following requirements:

1. Synchronization between DTE and DCE:

When DCE (the module) powers on with the autobauding enabled, it is recommended to wait 2 to 3 seconds before sending the first AT character. After receiving the "OK" response, DTE and DCE are correctly synchronized.

If the host controller needs URC in the mode of autobauding, it must be synchronized firstly. Otherwise the URC will be discarded.

2. Restrictions on autobauding operation:

- The UART port has to be operated at 8 data bits, no parity and 1 stop bit (factory setting).
- The "At" and "aT" commands cannot be used.
- Only the strings "AT" or "at" can be detected (neither "At" nor "aT").

- The Unsolicited Result Codes like “RDY”, “+CFUN: 1” and “+CPIN: READY” will not be indicated when the module is turned on with autobauding enabled and not be synchronized.
- Any other Unsolicited Result Codes will be sent at the previous baud rate before the module detects the new baud rate by receiving the first “AT” or “at” string. The DTE may receive unknown characters after switching to new baud rate.
- It is not recommended to switch to autobauding from a fixed baud rate.
- If autobauding is active it is not recommended to switch to multiplex mode.

NOTE

To assure reliable communication and avoid any problems caused by undetermined baud rate between DCE and DTE, it is strongly recommended to configure a fixed baud rate and save it instead of using autobauding after start-up. For more details, please refer to the Section “AT+IPR” in *document [1]*.

3.7.1.2. The Connection of UART

The connection between module and host using UART Port is very flexible. Three connection styles are illustrated as below.

Reference design for Full-Function UART connection is shown as below when it is applied in modulation-demodulation.

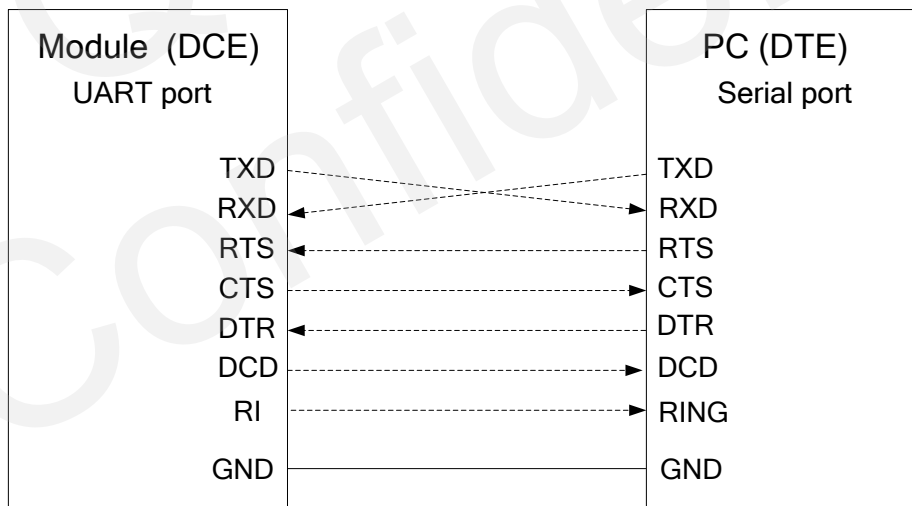


Figure 18: Reference Design for Full-Function UART

Three-line connection is shown as below.

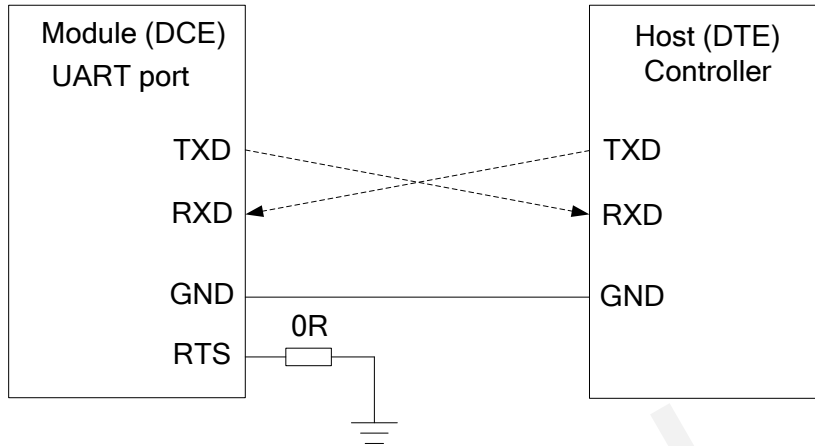


Figure 19: Reference Design for UART Port

UART Port with hardware flow control is shown as below. This connection will enhance the reliability of the mass data communication.

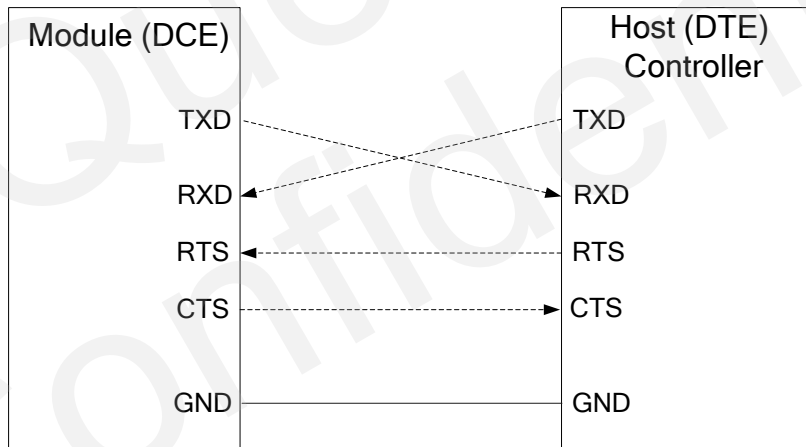


Figure 20: Reference Design for UART Port with Hardware Flow Control

3.7.1.3. Firmware Upgrade

The TXD, RXD can be used to upgrade firmware. The PWRKEY pin must be pulled down before firmware upgrade. The reference circuit is shown as below:

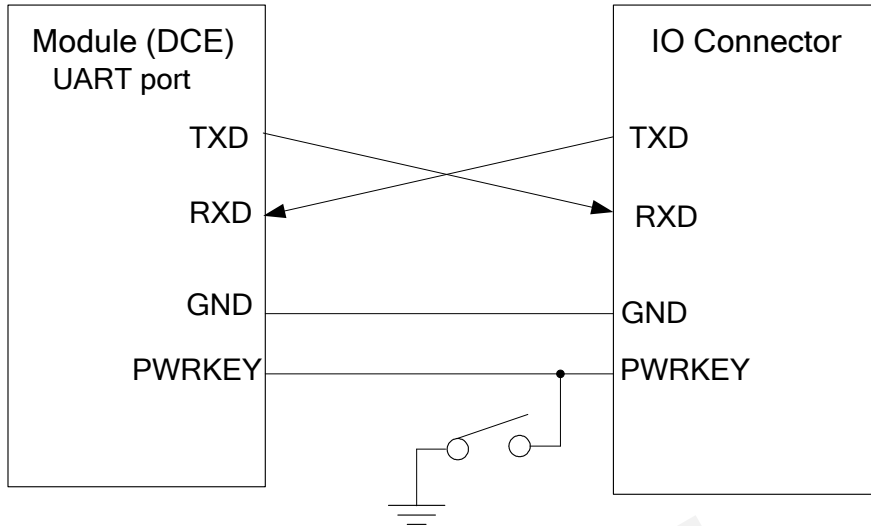


Figure 21: Reference Design for Firmware Upgrade

NOTE

The firmware of module might need to be upgraded due to certain reasons. It is recommended to reserve these pins in the host board for firmware upgrade. For detailed design, please refer to the **document [11]**.

3.7.2. Debug Port

Debug Port:

- Two lines: DBG_TXD and DBG_RXD
- It outputs log information automatically.
- Debug Port is only used for firmware debugging and its baud rate must be configured as 460800bps.

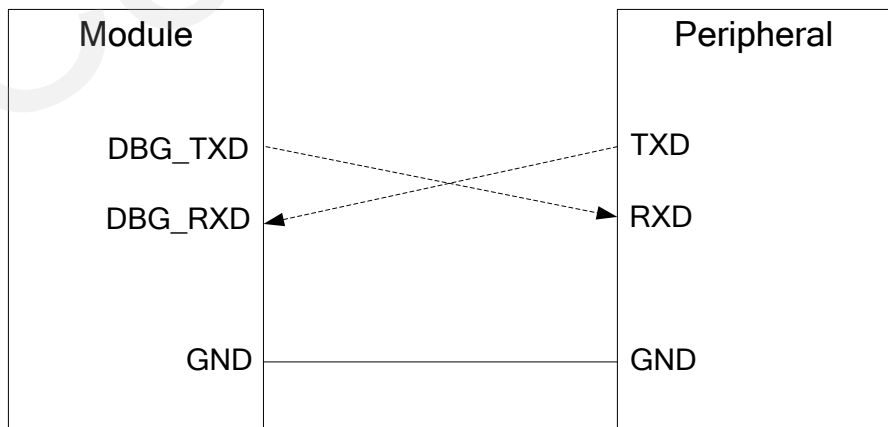


Figure 22: Reference Design for Debug Port

3.7.3. UART Application

The reference design of 3.3V level match is shown as below. If the host is a 3V system, please change the 5.6K resistor to 10K.

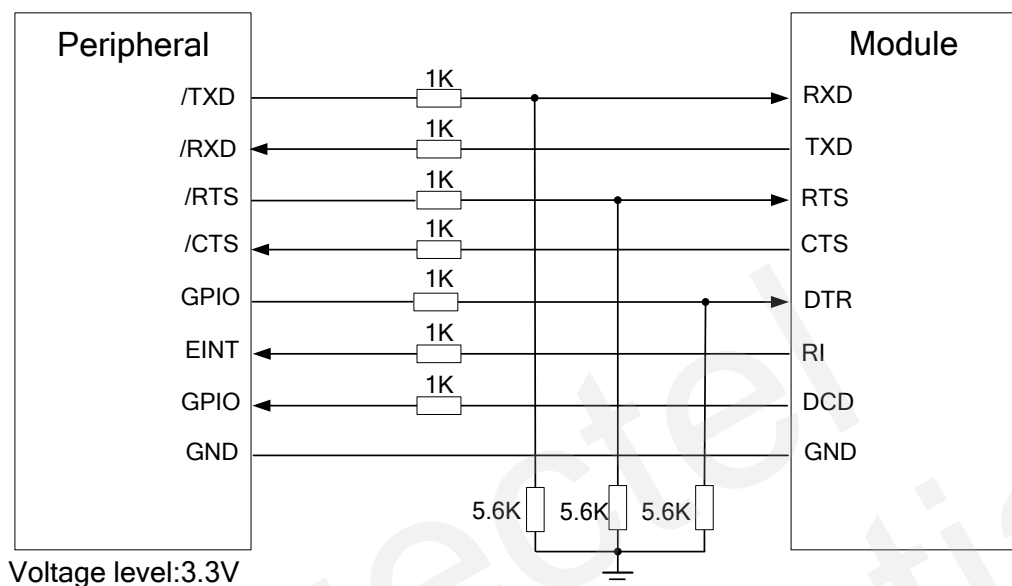


Figure 23: Level Match Design for 3.3V System

The reference design for 5V level match is shown as below. The connection of dotted line can be referred to the connection of solid line. Please pay attention to the direction of signal. Input dotted line of module should be referred to input solid line of the module. Output dotted line of module should be referred to output solid line of the module.

As to the circuit below, VDD_EXT supplies power for the I/O of module, while VCC_MCU supplies power for the I/O of the peripheral.

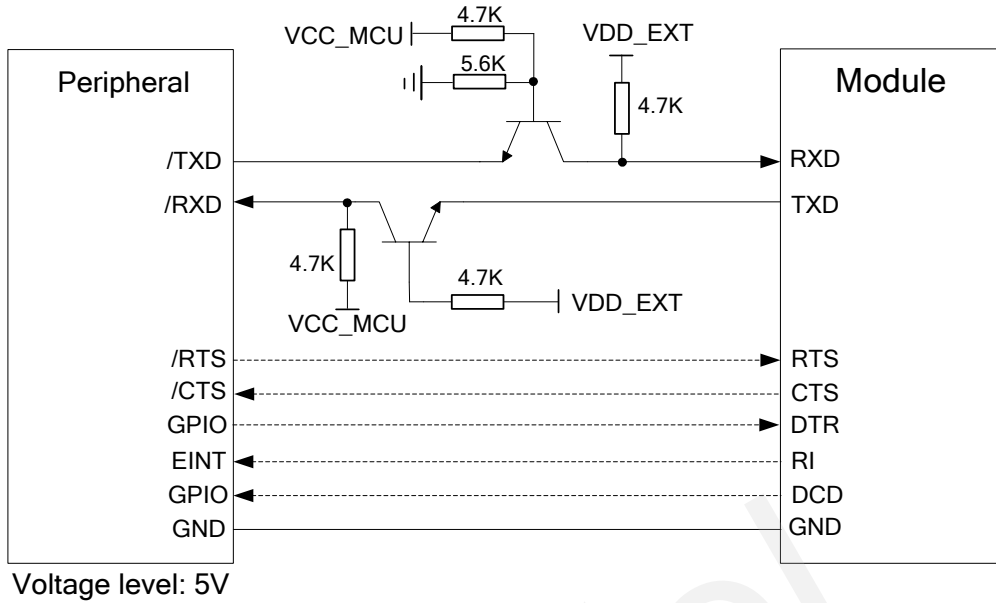


Figure 24: Level Match Design for 5V System

The following circuit shows a reference design for the communication between module and PC. Since the electrical level of module is 2.8V, so a RS-232 level shifter must be used.

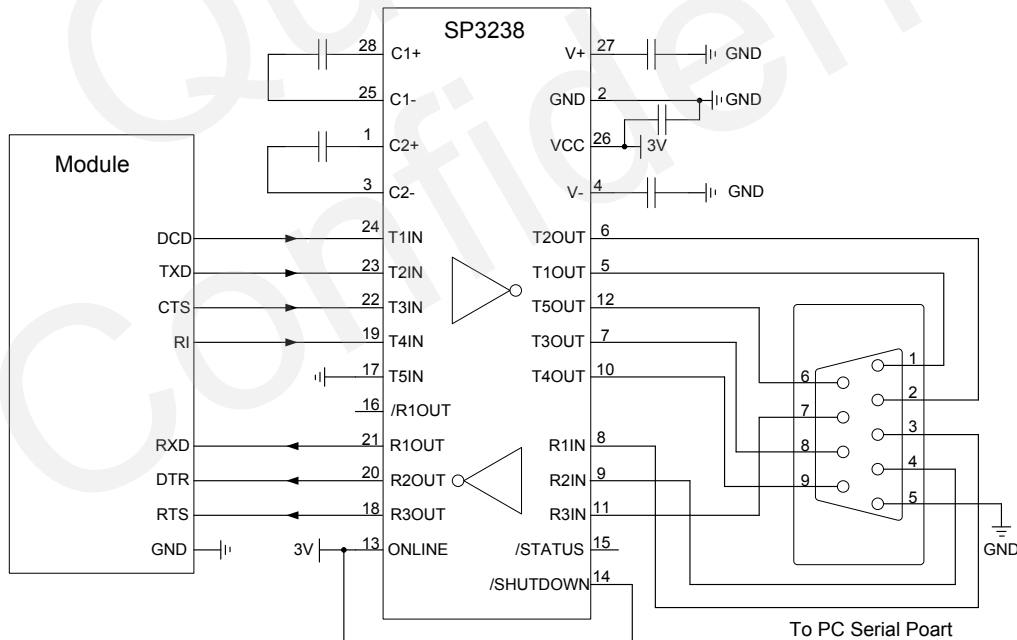


Figure 25: Level Match Design for RS-232

3.8. Audio Interfaces

The module provides two analogy input channels and two analogy output channels.

Table 9: Pin Definition of Audio Interface

Interfaces	Name	Pin NO.	Description
AIN1/AOUT1	MIC1P	4	Channel 1 Microphone positive input
	MIC1N	5	Channel 1 Microphone negative input
	SPK1P	7	Channel 1 Audio positive output
	SPK1N	6	Channel 1 Audio negative output
AIN2/AOUT2	AGND	1	Form a pseudo-differential pair with SPK2P
	MIC2P	2	Channel 2 Microphone positive input
	MIC2N	3	Channel 2 Microphone negative input
	LOUDSPKP	9	Channel 2 Audio positive output
	LOUDSPKN	8	Channel 2 Audio negative output

AIN1 and AIN2 can be used for input of microphone and line. An electret microphone is usually used. AIN1 and AIN2 are both differential input channels.

AOUT1 is used for output of the receiver. This channel is typically used for a receiver built into a handset. AOUT1 channel is a differential channel. If it is used as a speaker, an amplifier should be employed.

AOUT2 is used for loudspeaker output as it embedded an amplifier of class AB whose maximum drive power is 800mW. AOUT2 is a differential channel.

AOUT2 also can be used for output of earphone, which can be used as a single-ended channel. LOUDSPKP and AGND can establish a pseudo differential mode.

All of these two audio channels support voice and ringtone output, and so on, and can be switched by “AT+QAUDCH” command. For more details, please refer to the **document [1]**.

Use AT command “AT+QAUDCH” to select audio channel:

- 0--AIN1/AOUT1, the default value is 0.

- 1--AIN2/AOUT2. this channel is always used for earphone.
- 2--AIN2/AOUT2. this channel is always used for loudspeaker.

For each channel, you can use AT+QMIC to adjust the input gain level of microphone. You can also use “AT+CLVL” to adjust the output gain level of receiver and speaker. “AT+QSIDET” is used to set the side-tone gain level. For more details, please refer to the **document [1]**.

Table 10: AOUT2 Output Characteristics

Item	Condition	Min.	Type	Max.	Unit
RMS power	8ohm load VBAT=4.3v THD+N=1%		800		mW
	8ohm load VBAT=3.7v THD+N=1%		700		mW
Gain adjustment range		0		18	dB
Gain adjustment steps			3		dB

3.8.1. Decrease TDD Noise and Other Noise

The 33pF capacitor is applied for filtering out 900MHz RF interference when the module is transmitting at GSM900MHz. Without placing this capacitor, TDD noise could be heard. Moreover, the 10pF capacitor here is for filtering out 1800MHz RF interference. However, the resonant frequency point of a capacitor largely depends on the material and production technique. Therefore, you would have to discuss with its capacitor vendor to choose the most suitable capacitor for filtering out GSM850MHz, GSM900MHz, DCS1800MHz and PCS1900MHz separately.

The severity degree of the RF interference in the voice channel during GSM transmitting period largely depends on the application design. In some cases, GSM900 TDD noise is more severe; while in other cases, DCS1800 TDD noise is more obvious. Therefore, you can have a choice based on test results. Sometimes, even no RF filtering capacitor is required.

The capacitor which is used for filtering out RF noise should be close to audio interface. Audio alignment should be as short as possible.

In order to decrease radio or other signal interference, the position of RF antenna should be kept away from audio interface and audio alignment. Power alignment and audio alignment should not be parallel, and power alignment should be far away from audio alignment.

The differential audio traces have to be placed according to the differential signal layout rule.

3.8.2. Microphone Interfaces Design

AIN1 and AIN2 channels come with internal bias supply for external electret microphone. A reference circuit is shown in the following figure.

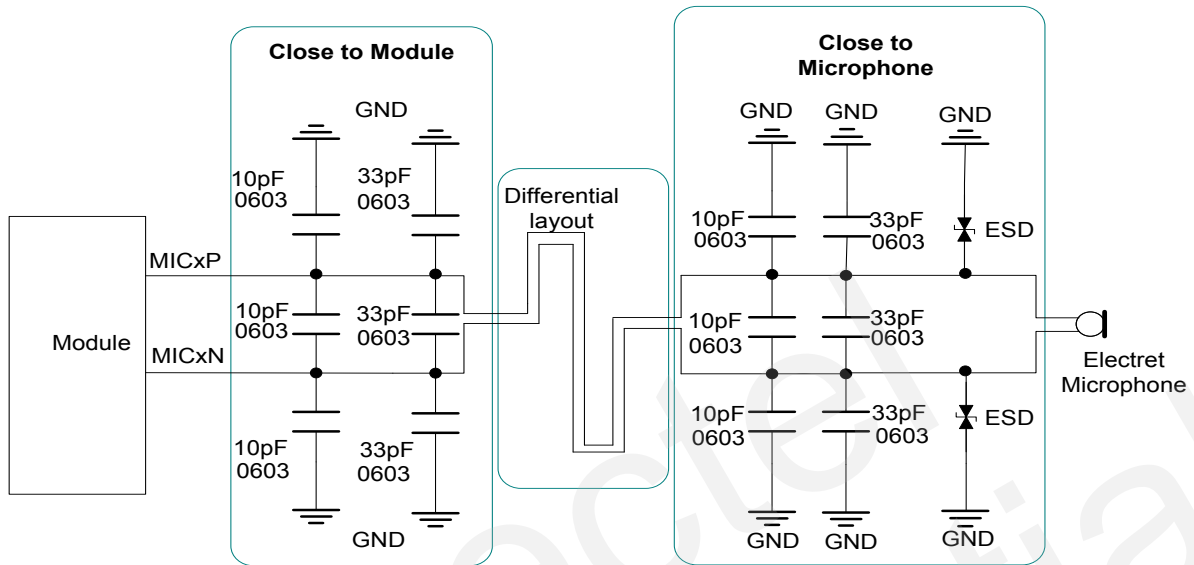


Figure 26: Reference Design for AIN1&AIN2

3.8.3. Receiver Interface Design

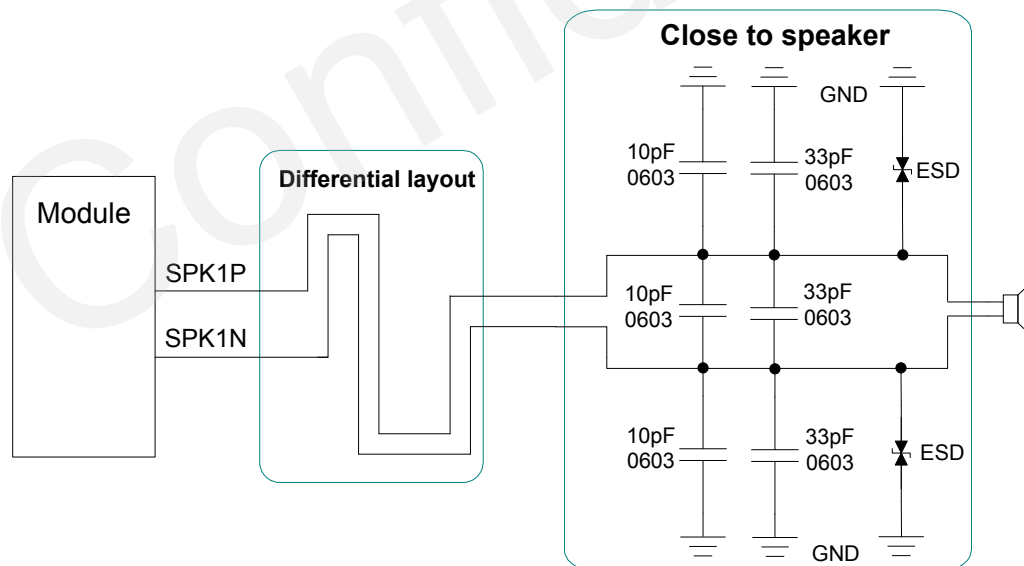


Figure 27: Reference Interface Design of AOUT1

3.8.4. Earphone Interface Design

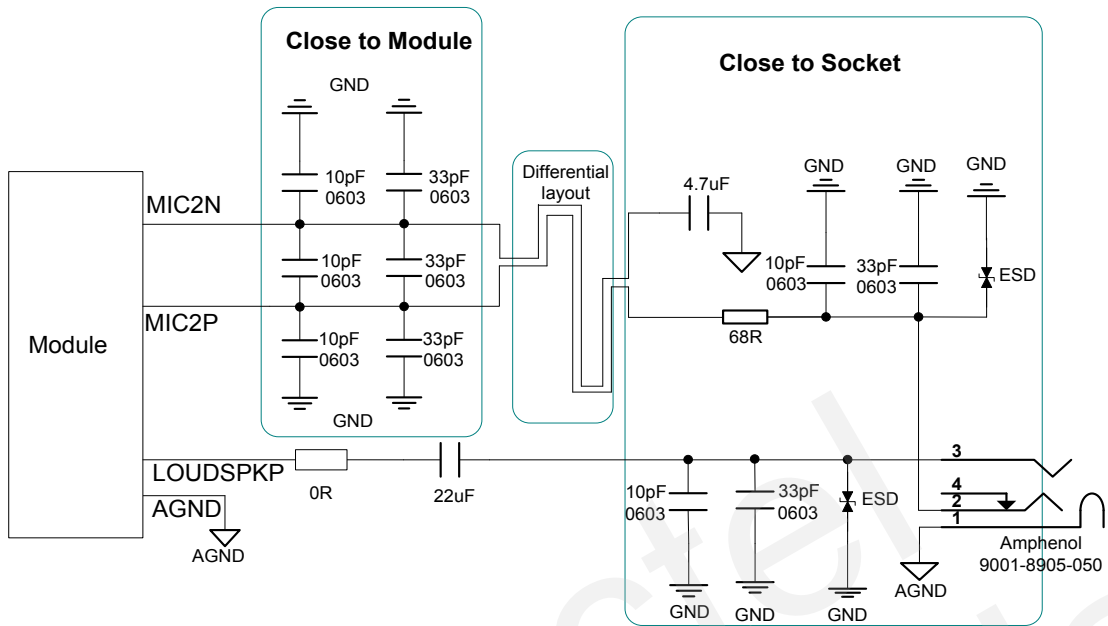


Figure 28: Earphone Interface Design

3.8.5. Loud Speaker Interface Design

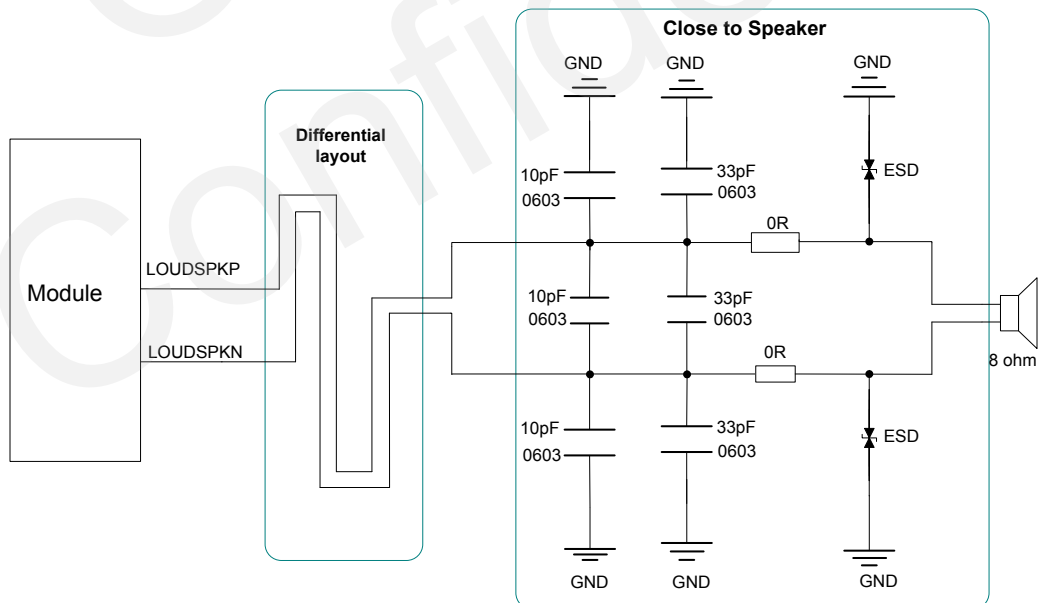


Figure 29: Loud Speaker Interface Design

3.8.6. Audio Characteristics

Table 11: Typical Electret Microphone Characteristics

Parameter	Min.	Typ	Max.	Unit
Working Voltage	1.2	1.5	2.0	V
Working Current	200		500	uA
External Microphone Load Resistance		2.2		k Ohm

Table 12: Typical Speaker Characteristics

Parameter	Min.	Typ	Max.	Unit	
AOUT1 Output	Single-ended	Load resistance	28	32	Ohm
		Ref level	0	2.4	Vpp
	Differential	Load resistance	28	32	Ohm
		Ref level	0	4.8	Vpp
AOUT2 Output	Differential	Load resistance	8		Load Resistance
		Reference level	0	2×VBAT	Vpp
	Single-ended	Load resistance	8		Load Resistance
		Reference level	0	VBAT	Vpp

3.9. SIM Card Interface

3.9.1. SIM Card Application

The SIM interface supports the functionality of the GSM Phase 1 specification and also supports the functionality of the new GSM Phase 2+ specification for FAST 64 kbps SIM card, which is intended for use with a SIM application Tool-kit.

The SIM interface is powered by an internal regulator in the module. Both 1.8V and 3.0V SIM Cards are supported. In addition, M95 has an extensional version which supports Dual SIM card interface. For more

details, please refer to the **document [14]**.

Table 13: Pin Definition of the SIM Interface

Pin NO.	Name	Description
27	SIM_VDD	Supply power for SIM card. Automatic detection of SIM card voltage. 3.0V±10% and 1.8V±10%. Maximum supply current is around 10mA.
30	SIM_CLK	SIM card clock.
29	SIM_DATA	SIM card data I/O.
28	SIM_RST	SIM card reset.
31	SIM_GND	SIM card ground.

The reference circuit for a 6-pin SIM card socket is illustrated as the following figure.

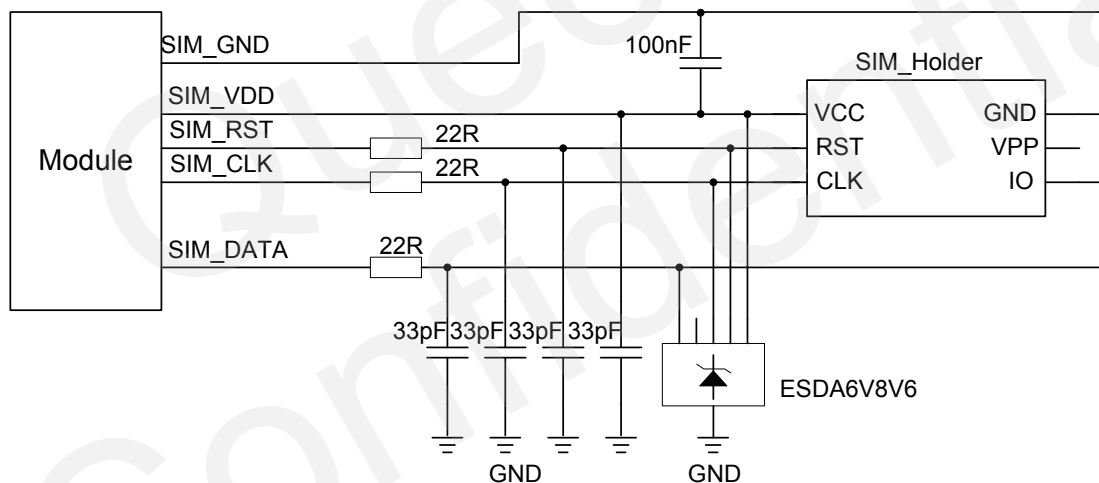


Figure 30: Reference Circuit for 6-pin SIM Card Holder

In order to enhance the reliability and availability of the SIM card in application. Please follow the below criterion in the SIM circuit design.

- Keep layout of SIM card as close as possible to the module. Assure the possibility of the length of the trace is less than 200mm.
- Keep SIM card signal away from RF and VBAT alignment.
- Assure the ground between module and SIM cassette short and wide. Keep the width of ground no less than 0.5mm to maintain the same electric potential. The decouple capacitor of SIM_VDD is less than 1uF and must be near to SIM cassette.
- To avoid cross talk between SIM_DATA and SIM_CLK. Keep them away with each other and shield

them with surrounded ground

- In order to offer good ESD protection, it is recommended to add TVS such as WILL (<http://www.willsemi.com/>) ESDA6V8AV6. The 22Ω resistors should be connected in series between the module and the SIM card so as to suppress the EMI spurious transmission and enhance the ESD protection. Please to be noted that the SIM peripheral circuit should be close to the SIM card socket.
- Place the RF bypass capacitors (33pF) close to the SIM card on all signals line for improving EMI.

3.9.2. 6 Pin SIM Cassette

As to the 6-pin SIM card holder, it is recommended to use Amphenol C707 10M006 512 2. Please visit <http://www.amphenol.com> for more information.

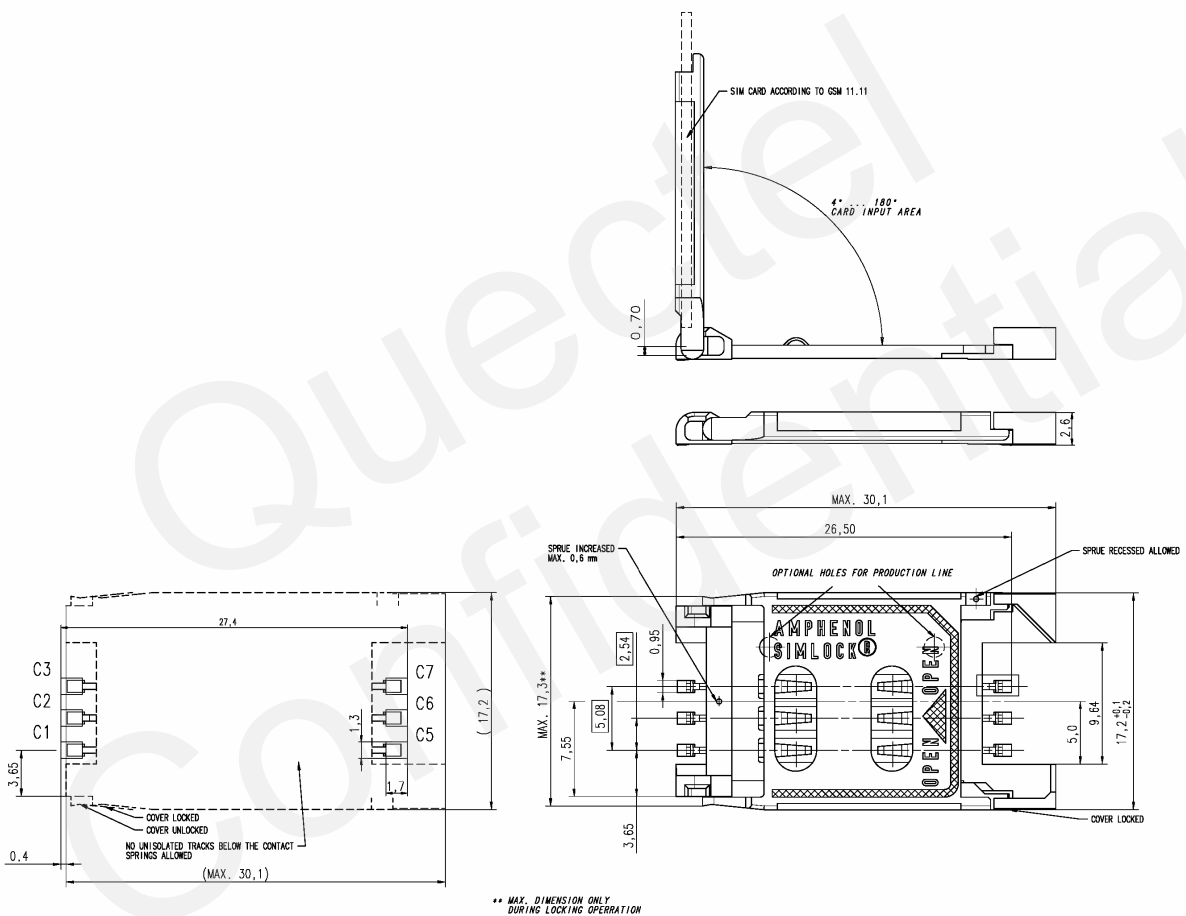


Figure 31: Amphenol C707 10M006 512 2 SIM Card Holder

Table 14: Pin Description of Amphenol SIM Card Holder

Name	Pin	Description
SIM_VDD	C1	SIM card power supply

SIM_RST	C2	SIM card reset
SIM_CLK	C3	SIM card clock
GND	C5	Ground
VPP	C6	Not connected
SIM_DATA	C7	SIM card data I/O

3.10. Behaviors of The RI

Table 15: Behaviors of the RI

State	RI Response
Standby	HIGH
Voicecall	Change to LOW, then: <ol style="list-style-type: none"> 1. Change to HIGH when call is established. 2. Use ATH to hang up the call, RI changes to HIGH. 3. Calling part hangs up, RI changes to HIGH first, and changes to LOW for 120ms indicating "NO CARRIER" as an URC, then changes to HIGH again. 4. Change to HIGH when SMS is received.
Datacall	Change to LOW, then: <ol style="list-style-type: none"> 1. Change to HIGH when data connection is established. 2. Use ATH to hang up the data calling, RI changes to HIGH. 3. Calling part hangs up, RI changes to HIGH first, and changes to LOW for 120ms indicating "NO CARRIER" as an URC, then changes to HIGH again. 4. Change to HIGH when SMS is received.
SMS	When a new SMS comes, the RI changes to LOW and holds low level for about 120 ms, then changes to HIGH.
URC	Certain URCs can trigger 120ms low level on RI. For more details, please refer to the document [1] .

NOTE

If URC of SMS is disabled, the RI will not change.

If the module is used as a caller, the RI would maintain high except the URC or SMS is received. On the other hand, when it is used as a receiver, the timing of the RI is shown below.

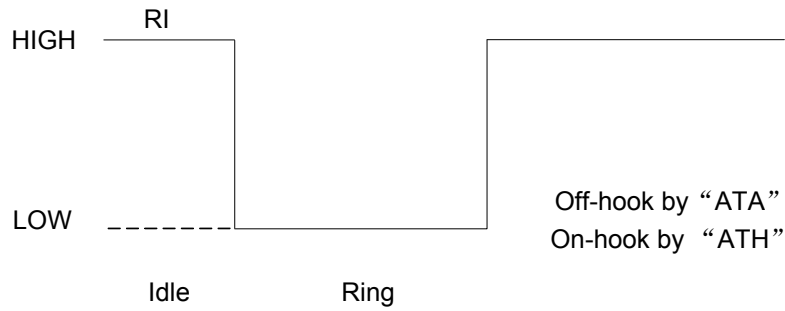


Figure 32: RI Behavior of Voice Calling as a Receiver

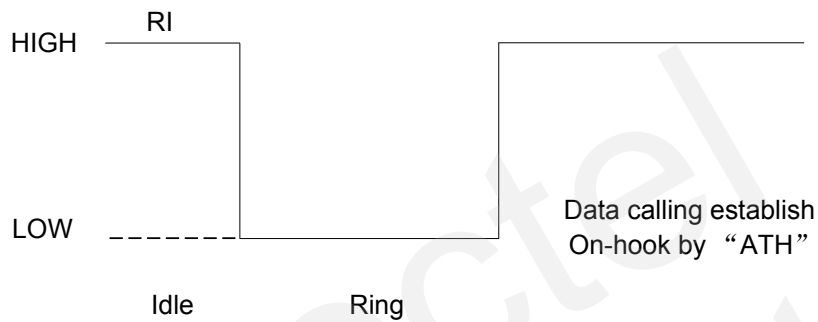


Figure 33: RI Behavior of Data Calling as a Receiver

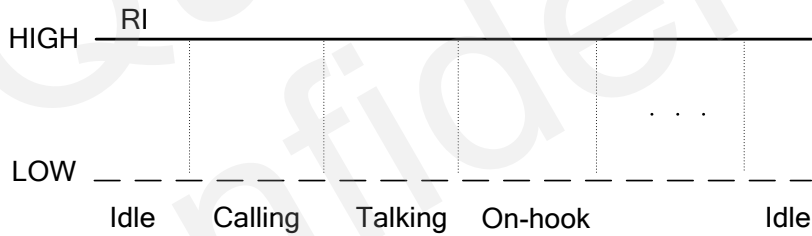


Figure 34: RI Behavior as a Caller

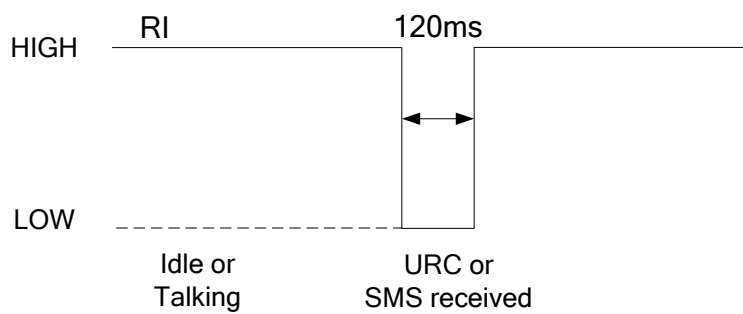


Figure 35: RI Behavior of URC or SMS Received

3.11. Network Status Indication

The NETLIGHT signal can be used to drive a network status indicator LED. The working state of this pin is listed in the following table.

Table 16: Working State of the NETLIGHT

State	Module function
Off	The module is not running.
64ms On/ 800ms Off	The module is not synchronized with network.
64ms On/ 2000ms Off	The module is synchronized with network.
64ms On/ 600ms Off	The GPRS data transmission after dialing the PPP connection.

A reference circuit is shown as below.

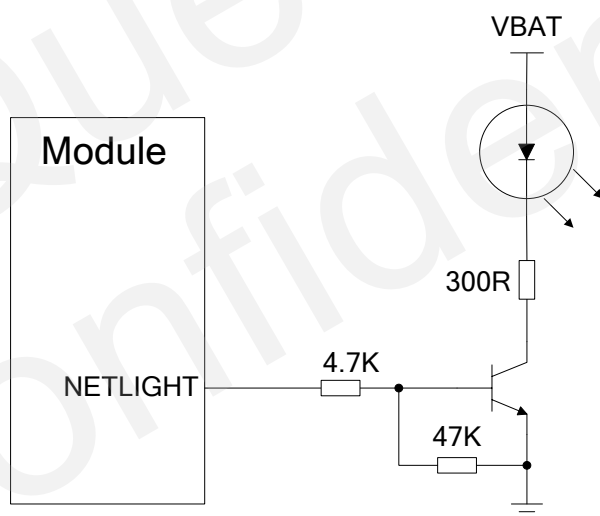


Figure 36: Reference Design for NETLIGHT

3.12. Operating Status Indication

The STATUS pin is set as an output pin and can be used to judge whether or not module is power-on. In the design, this pin can be connected to a GPIO of DTE or be used to drive an LED in order to judge the module's operation status. A reference circuit is shown in below.

Table 17: Pin Definition of the STATUS

Name	Pin	Description
STATUS	12	Indicate module operating status

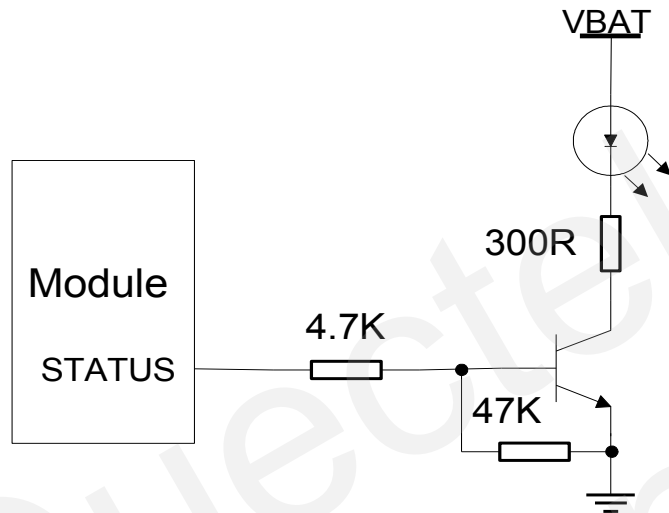


Figure 37: Reference Design for STATUS

4 Antenna Interface

The Pin 39 is the RF antenna pad. The RF interface has an impedance of 50Ω.

Table 18: Pin Definition of the RF_ANT

Name	Pin	Description
GND	37	Ground
GND	38	Ground
RF_ANT	39	RF antenna pad
GND	40	Ground

4.1. RF Reference Design

The reference design for RF is shown as below.

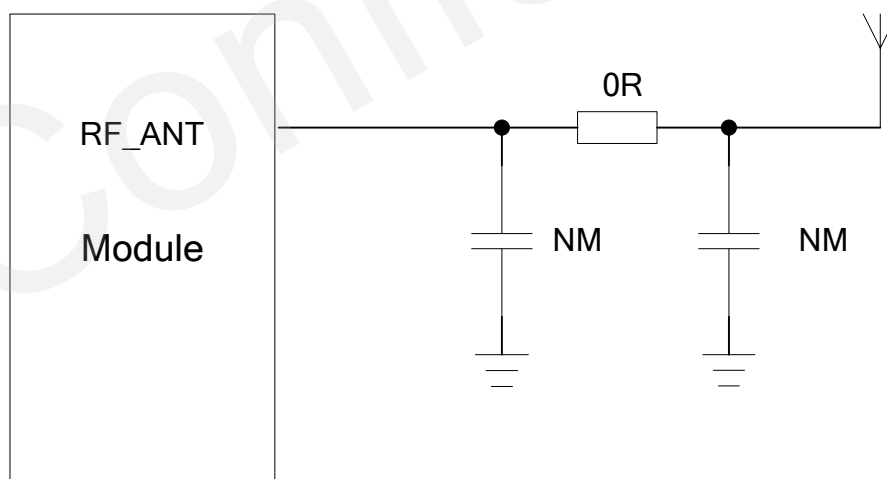


Figure 38: Reference Design for RF

M95 provides an RF antenna pad for antenna connection. The RF trace in host PCB connected to the module RF antenna pad should be coplanar waveguide line or microstrip line, whose characteristic

impedance should be close to 50Ω. M95 comes with grounding pads which are next to the antenna pad in order to give a better grounding. Besides, a Γ type match circuit is suggested to be used to adjust the RF performance.

To minimize the loss on the RF trace and RF cable, take design into account carefully. It is recommended that the insertion loss should meet the following requirements:

- GSM850/EGSM900 is <1dB.
- DCS1800/PCS1900 is <1.5dB.

4.2. RF Output Power

Table 19: The Module Conducted RF Output Power

Frequency	Max	Min
GSM850	33dBm ±2dB	5dBm±5dB
EGSM900	33dBm ±2dB	5dBm±5dB
DCS1800	30dBm ±2dB	0dBm±5dB
PCS1900	30dBm ±2dB	0dBm±5dB

NOTE

In GPRS 4 slots TX mode, the max output power is reduced by 2.5dB. This design conforms to the GSM specification as described in section 13.16 of **3GPP TS 51.010-1**.

4.3. RF Receiving Sensitivity

Table 20: The Module Conducted RF Receiving Sensitivity

Frequency	Receive Sensitivity
GSM850	< -108.5dBm
EGSM900	< -108.5dBm
DCS1800	< -108.5dBm

PCS1900 < -108.5dBm

4.4. Operating Frequencies

Table 21: The Module Operating Frequencies

Frequency	Receive	Transmit	ARFCH
GSM850	869~894MHz	824~849MHz	128~251
EGSM900	925~960MHz	880~915MHz	0~124, 975~1023
DCS1800	1805~1880MHz	1710~1785MHz	512~885
PCS1900	1930~1990MHz	1850~1910MHz	512~810

4.5. RF Cable Soldering

Soldering the RF cable to RF pad of module correctly will reduce the loss on the path of RF, please refer to the following example of RF soldering.

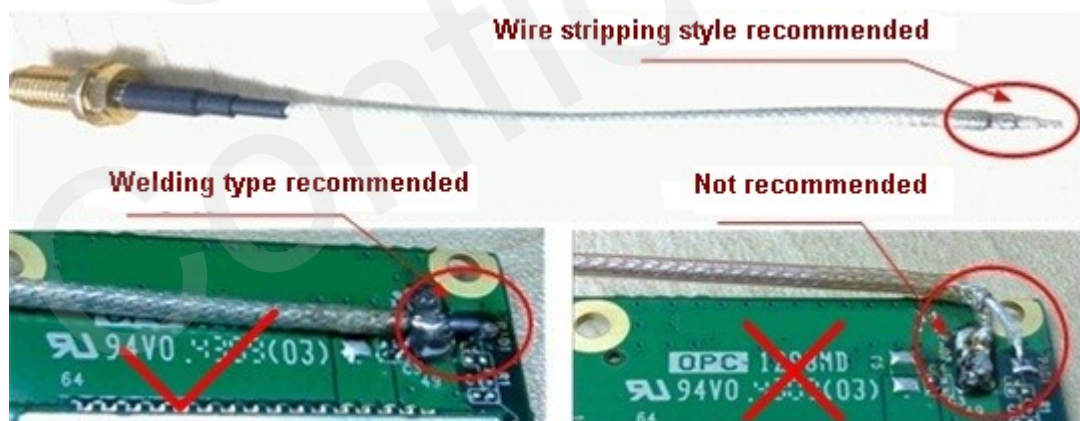


Figure 39: RF Soldering Sample

5 Electrical, Reliability and Radio Characteristics

5.1. Absolute Maximum Ratings

Absolute maximum ratings for power supply and voltage on digital and analog pins of module are listed in the following table:

Table 22: Absolute Maximum Ratings

Parameter	Min	Max	Unit
V _{BAT}	-0.3	+4.7	V
Peak current of power supply	0	2	A
RMS current of power supply (during one TDMA- frame)	0	0.7	A
Voltage at digital pins	-0.3	3.3	V
Voltage at analog pins	-0.3	3.0	V
Voltage at digital/analog pins in power down mode	-0.25	0.25	V

5.2. Operating Temperature

The operating temperature is listed in the following table:

Table 23: Operating Temperature

Parameter	Min	Typ	Max	Unit
Normal Temperature	-35	+25	+80	°C
Restricted Operation ¹⁾	-40 ~ -35		+80 ~ +85	°C
Storage Temperature	-45		+90	°C

NOTE

When the module works within this temperature range, the deviation from the GSM specification may occur. For example, the frequency error or the phase error will be increased.

5.3. Power Supply Ratings

Table 24: The Module Power Supply Ratings

Parameter	Description	Conditions	Min	Typ	Max	Unit	
VBAT	Supply voltage	Voltage must stay within the min/max values, including voltage drop, ripple, and spikes.	3.3	4.0	4.6	V	
	Voltage drop during transmitting burst	Maximum power control level on GSM850 and GSM900.			400	mV	
	Voltage ripple	Maximum power control level on GSM850 and GSM900 @ f<200kHz @ f>200kHz			50 20	mV mV	
IVBAT	Average supply current	Power down mode		30		uA	
		SLEEP mode @ DRX=5		1.3		mA	
		Minimum functionality mode AT+CFUN=0					
		IDLE mode			13		mA
		SLEEP mode			0.98		mA
		AT+CFUN=4					
IDLE mode				13		mA	
SLEEP mode				1.0		mA	
TALK mode GSM850/EGSM 900 ¹⁾				246/243		mA	

	DCS1800/PCS1900 ²⁾	179/188	mA
	DATA mode, GPRS (3Rx, 2Tx) GSM850/EGSM 900 ¹⁾ DCS1800/PCS1900 ²⁾	404/378 261/285	mA mA
	DATA mode, GPRS(2 Rx,3Tx) GSM850/EGSM 900 ¹⁾ DCS1800/PCS1900 ²⁾	541/533 353/390	mA mA
	DATA mode, GPRS (4 Rx,1Tx) GSM850/EGSM 900 ¹⁾ DCS1800/PCS1900 ²⁾	244/216 161/173	mA mA
	DATA mode, GPRS (1Rx,4Tx) GSM850/EGSM 900 ¹⁾ DCS1800/PCS1900 ²⁾	557/538 434/484	mA mA
Peak supply current (during transmission slot)	Maximum power control level on GSM850 and GSM900.	1.6 2	A

NOTES

1. Power control level PCL 5.
2. Power control level PCL 0.

5.4. Current Consumption

The values of current consumption are shown as below.

Table 25: The Module Current Consumption

Condition	Current Consumption
Voice Call	
GSM850	@power level #5 <300mA, Typical 246mA @power level #12, Typical 120mA @power level #19, Typical 93mA

GSM900	@power level #5 <300mA, Typical 243mA @power level #12, Typical 115mA @power level #19, Typical 92mA
DCS1800	@power level #0 <250mA, Typical 179mA @power level #7, Typical 103mA @power level #15, Typical 89mA
PCS1900	@power level #0 <250mA, Typical 188mA @power level #7, Typical 103mA @power level #15, Typical 89mA

GPRS Data

DATA mode, GPRS (1 Rx, 1 Tx) CLASS 12

GSM850	@power level #5 <350mA, Typical 229mA @power level #12, Typical 109mA @power level #19, Typical 90mA
EGSM 900	@power level #5 <350mA, Typical 216mA @power level #12, Typical 111mA @power level #19, Typical 89mA
DCS 1800	@power level #0 <300mA, Typical 161mA @power level #7, Typical 100mA @power level #15, Typical 86mA
PCS 1900	@power level #0 <300mA, Typical 173mA @power level #7, Typical 97mA @power level #15, Typical 86mA

DATA mode, GPRS (3 Rx, 2 Tx) CLASS 12

GSM850	@power level #5 <550mA, Typical 404mA @power level #12, Typical 165mA @power level #19, Typical 114mA
EGSM 900	@power level #5 <550mA, Typical 378mA @power level #12, Typical 158mA @power level #19, Typical 114mA
DCS 1800	@power level #0 <450mA, Typical 261mA @power level #7, Typical 134mA @power level #15, Typical 106mA
PCS 1900	@power level #0 <450mA, Typical 285mA @power level #7, Typical 129mA @power level #15, Typical 106mA

DATA mode, GPRS (2 Rx, 3 Tx) CLASS 12

GSM850	@power level #5 <640mA, Typical 541mA @power level #12, Typical 209mA @power level #19, Typical 134mA
--------	---

EGSM 900	@power level #5 <600mA, Typical 533mA @power level #12, Typical 199mA @power level #19, Typical 133mA
DCS 1800	@power level #0 <490mA, Typical 353mA @power level #7, Typical 162mA @power level #15, Typical 120mA
PCS 1900	@power level #0 <480mA, Typical 390mA @power level #7, Typical 156mA @power level #15, Typical 121mA

DATA mode, GPRS (4 Rx, 1 Tx) CLASS 12

GSM850	@power level #5 <350mA, Typical 244mA @power level #12, Typical 115mA @power level #19, Typical 90mA
EGSM 900	@power level #5 <350mA, Typical 216mA @power level #12, Typical 111mA @power level #19, Typical 89mA
DCS 1800	@power level #0 <300mA, Typical 161mA @power level #7, Typical 101mA @power level #15, Typical 86mA
PCS 1900	@power level #0 <300mA, Typical 173mA @power level #7, Typical 97mA @power level #15, Typical 86mA

DATA mode, GPRS (1 Rx, 4 Tx) CLASS 12

GSM850	@power level #5 <660mA, Typical 557mA @power level #12, Typical 243mA @power level #19, Typical 144mA
EGSM 900	@power level #5 <660mA, Typical 538mA @power level #12, Typical 230mA @power level #19, Typical 144mA
DCS 1800	@power level #0 <530mA, Typical 434mA @power level #7, Typical 181mA @power level #15, Typical 126mA
PCS 1900	@power level #0 <530mA, Typical 484mA @power level #7, Typical 172mA @power level #15, Typical 126mA

NOTE

GPRS Class 12 is the default setting. The module can be configured from GPRS Class 1 to Class 12. Setting to lower GPRS class would make it easier to design the power supply for the module.

5.5. Electro-static Discharge

Although the GSM engine is generally protected against Electro-static Discharge (ESD), ESD protection precautions should still be emphasized. Proper ESD handling and packaging procedures must be applied throughout the processing, handling and operation of any applications using the module.

The measured ESD values of module are shown as the following table:

Table 26: The ESD Endurance (Temperature:25°C, Humidity:45 %)

Tested Point	Contact Discharge	Air Discharge
VBAT,GND	±5KV	±10KV
RF_ANT	±5KV	±10KV
TXD, RXD	±2KV	±4KV
Others	±0.5KV	±1KV

Quectel
Confidential

6 Mechanical Dimensions

This chapter describes the mechanical dimensions of the module.

6.1. Mechanical Dimensions of Module

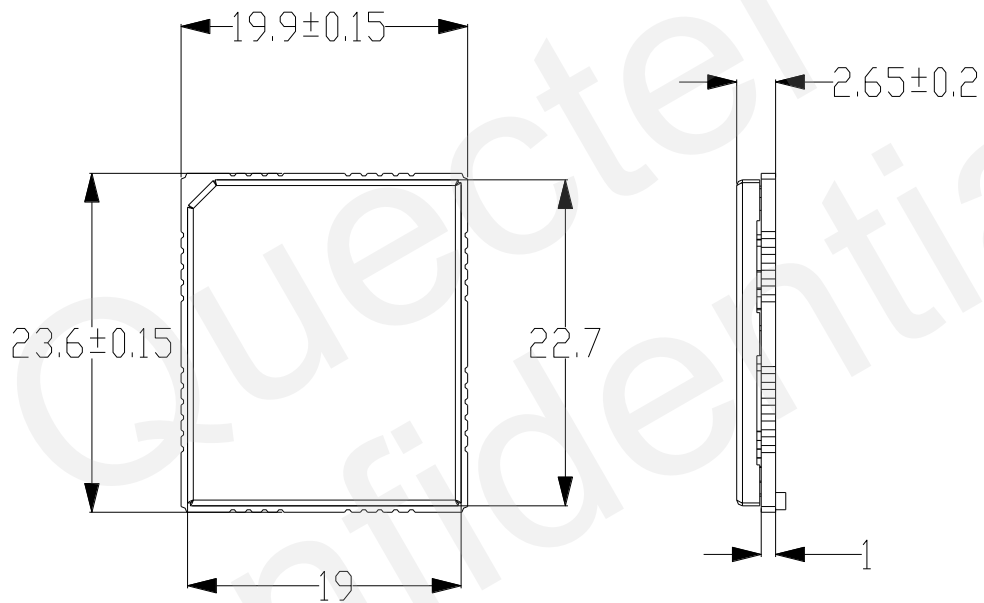


Figure 40: M95 Module Top and Side Dimensions (Unit: mm)

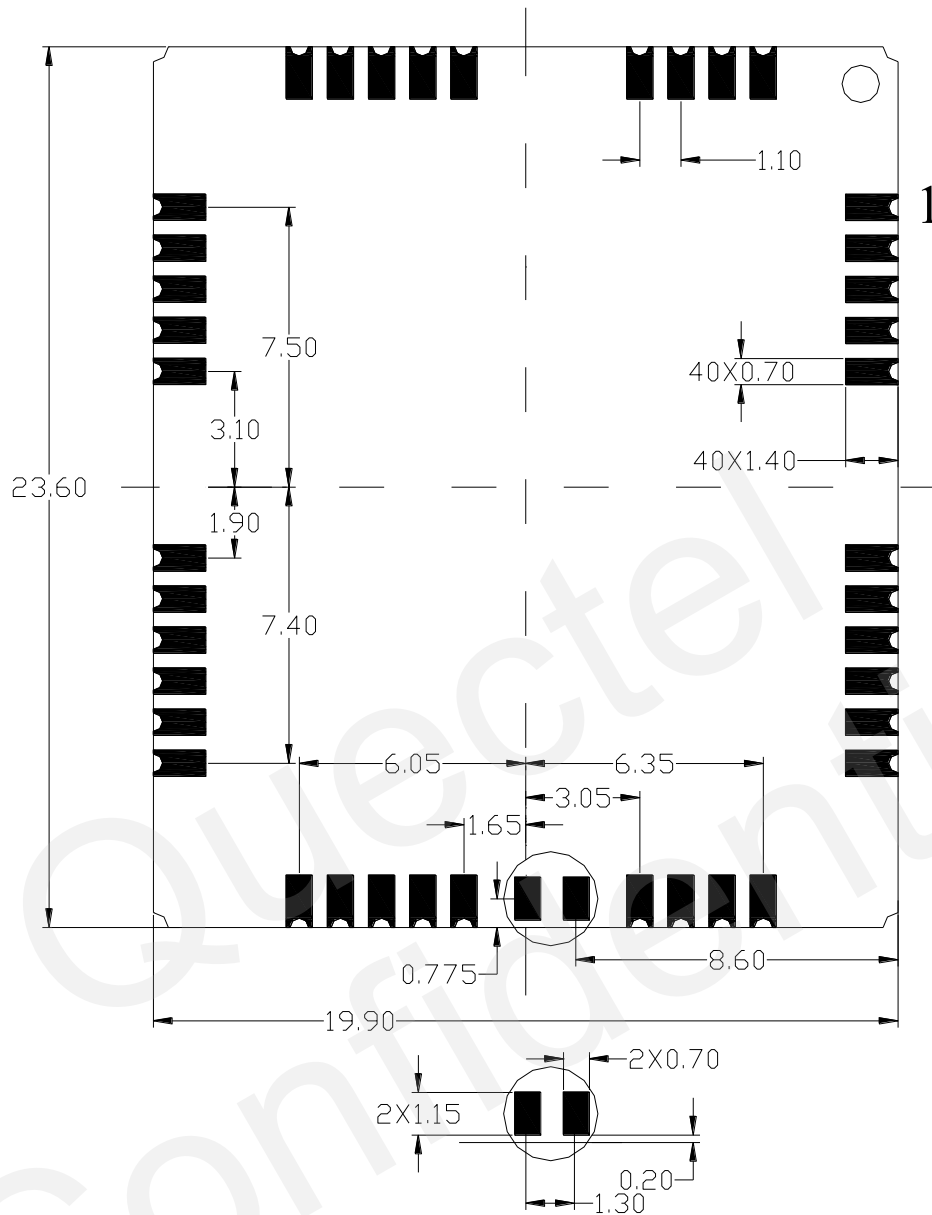


Figure 41: M95 Module Bottom Dimensions (Unit: mm)

6.2. Recommended Footprint

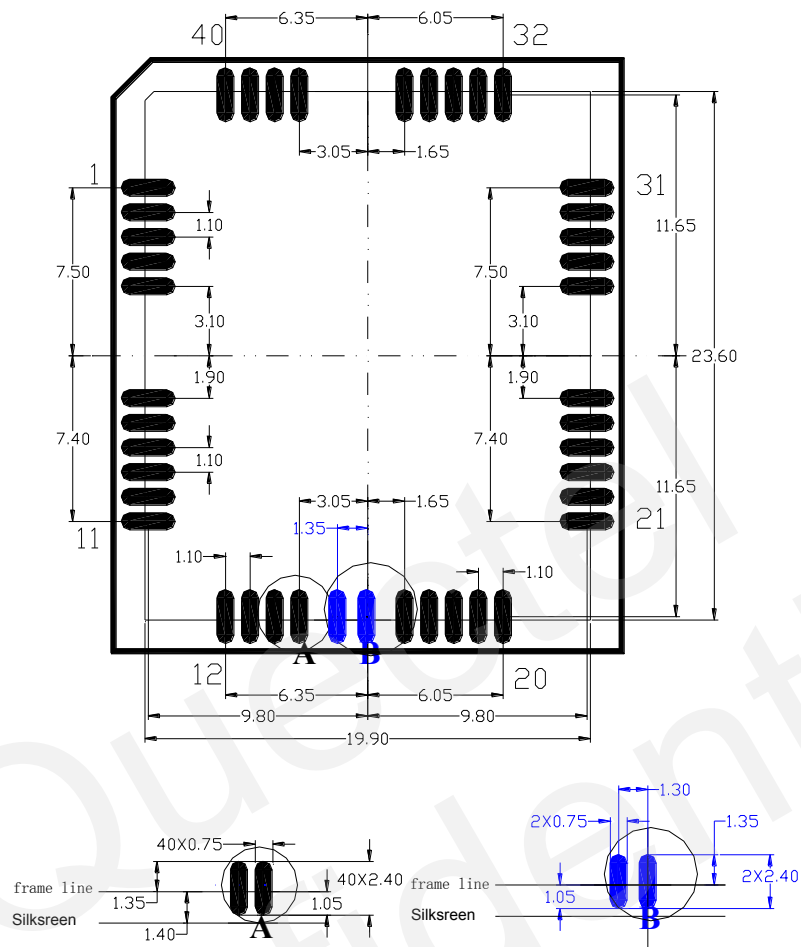


Figure 42: Recommended Footprint (Unit: mm)

NOTES

1. The module should keep about 3mm away from other components in the host PCB.
2. The blue pads are used for reserved pins you can design the PCB decal without them.

6.3. Top View of the Module



Figure 43: Top View of the Module

6.4. Bottom View of the Module

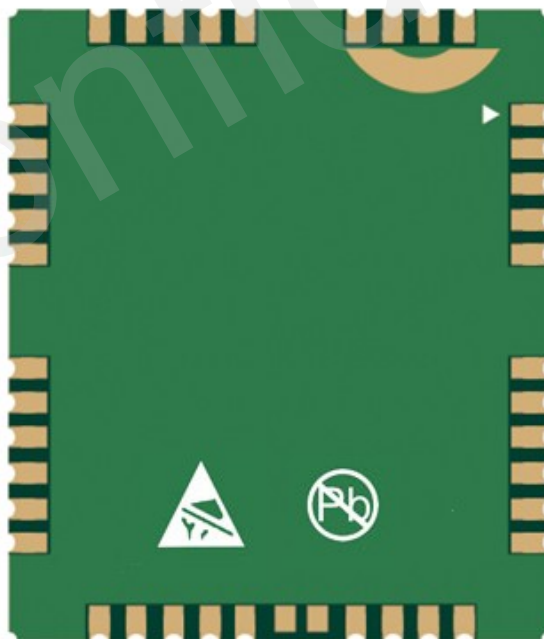


Figure 44: Bottom View of the Module

7 Storage and Manufacturing

7.1. Storage

M95 module is distributed in a vacuum-sealed bag. The restriction for storage is shown as below.

Shelf life in the vacuum-sealed bag: 12 months at environments of $<40^{\circ}\text{C}$ temperature and $< 90\%RH$.

After the vacuum-sealed bag is opened, devices that need to be mounted directly must be:

- Mounted within 72 hours at the factory environment of $\leq 30^{\circ}\text{C}$ temperature and $< 60\% RH$.
- Stored at $<10\% RH$.

Devices require baking before mounting, if any circumstance below occurs.

- When the ambient temperature is $23^{\circ}\text{C}\pm 5^{\circ}\text{C}$, humidity indication card shows the humidity is $>10\%$ before opening the vacuum-sealed bag.
- If ambient temperature is $< 30^{\circ}\text{C}$ and the humidity is $< 60\%$, the devices have not been mounted during 72hours.
- Stored at $>10\% RH$.

If baking is required, devices should be baked for 48 hours at $125^{\circ}\text{C}\pm 5^{\circ}\text{C}$.

NOTE

As plastic container cannot be subjected to high temperature, devices must be removed prior to high temperature (125°C) bake. If shorter bake times are desired, refer to the IPC/JEDECJ-STD-033 for bake procedure.

7.2. Soldering

The squeegee should push the paste on the surface of the stencil that makes the paste fill the stencil openings and penetrate to the PCB. The force on the squeegee should be adjusted so as to produce a clean stencil surface on a single pass. To ensure the module soldering quality, the thickness of stencil at the hole of the module pads should be 0.2 mm for M95. For more details, please refer to **document[13]**

It is suggested that peak reflow temperature is from 235 °C to 245°C (for SnAg3.0Cu0.5 alloy). Absolute max reflow temperature is 260°C. To avoid damage to the module when it was repeatedly heated, it is suggested that the module should be mounted after the first panel has been reflowed. The following picture is the actual diagram which we have operated.

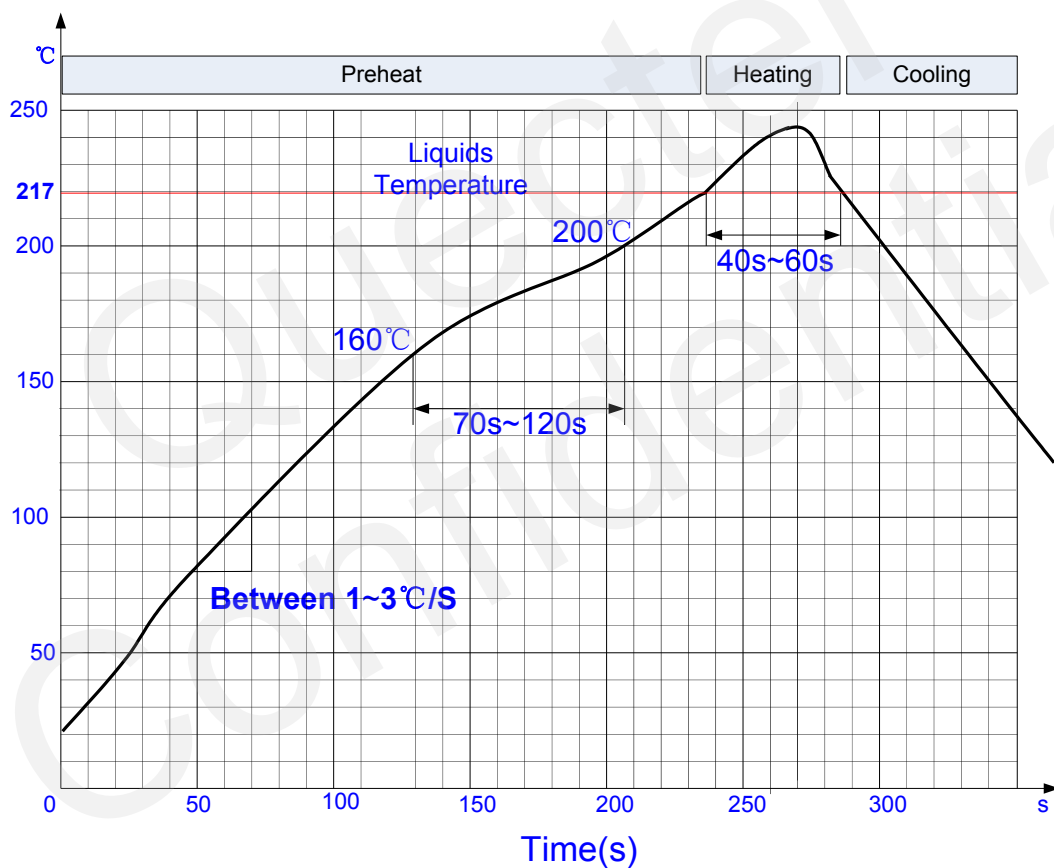


Figure 45: Ramp-Soak-Spike Reflow Profile

7.3. Packaging

The modules are stored inside a vacuum-sealed bag which is ESD protected. It should not be opened until the devices are ready to be soldered onto the application.

7.3.1. Tape and Reel packaging

The reel is 330mm in diameter and each reel contains 250 modules.

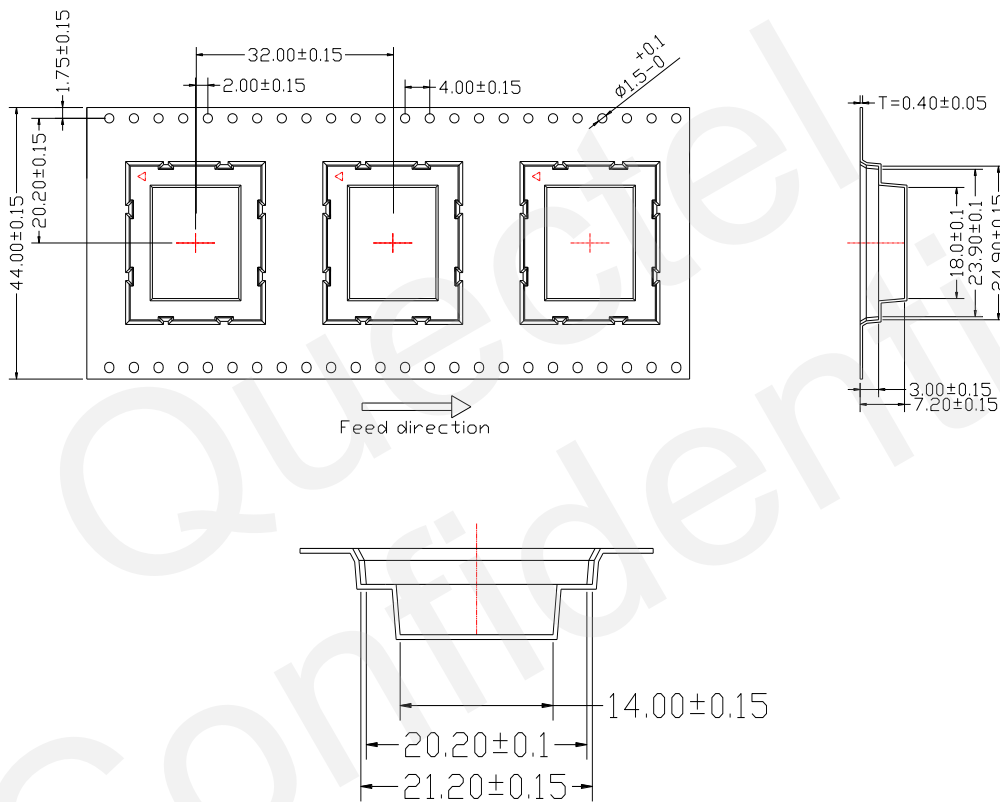


Figure 46: Tape and Reel Specification

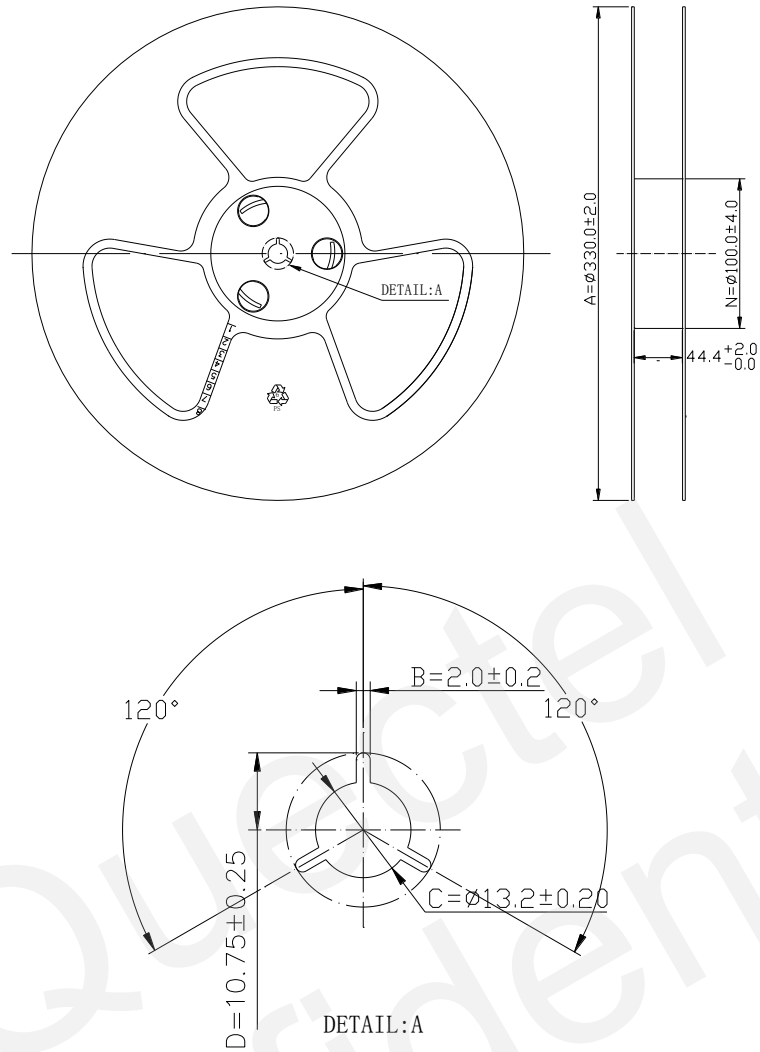


Figure 47: Dimensions of Reel

Table 27: Tape Packing

Model Name	MOQ for MP	Minimum Package: 250pcs	Minimum Package×4=1000pcs
M95	250pcs	Size: 370×350×56mm ³ N.W: 0.67kg G.W: 1.48kg	Size: 380×250×365mm ³ N.W: 2.7kg G.W: 6.4kg

8 Appendix A Reference

Table 28: Related Documents

SN	Document name	Remark
[1]	M95_AT_Commands_Manual	AT commands manual
[2]	ITU-T Draft new recommendation V.25ter	Serial asynchronous automatic dialing and control
[3]	GSM 07.07	Digital cellular telecommunications (Phase 2+); AT command set for GSM Mobile Equipment (ME)
[4]	GSM 07.10	Support GSM 07.10 multiplexing protocol
[5]	GSM 07.05	Digital cellular telecommunications (Phase 2+); Use of Data Terminal Equipment – Data Circuit terminating Equipment (DTE – DCE) interface for Short Message Service (SMS) and Cell Broadcast Service (CBS)
[6]	GSM 11.14	Digital cellular telecommunications (Phase 2+); Specification of the SIM Application Toolkit for the Subscriber Identity module – Mobile Equipment (SIM – ME) interface
[7]	GSM 11.11	Digital cellular telecommunications (Phase 2+); Specification of the Subscriber Identity module – Mobile Equipment (SIM – ME) interface
[8]	GSM 03.38	Digital cellular telecommunications (Phase 2+); Alphabets and language-specific information
[9]	GSM 11.10	Digital cellular telecommunications (Phase 2); Mobile Station (MS) conformance specification; Part 1: Conformance specification
[10]	GSM_UART_Application_Note	UART port application note
[11]	GSM_FW_Upgrade_AN01	GSM Firmware upgrade application note
[12]	M10_EVB_User_Guide	M10 EVB user guide
[13]	Module_Secondary_SMT_User_Guide	Module secondary SMT user guide
[14]	M95_Dual_SIM_Application_Notes_V3.0	M95 Dual SIM Application Notes

Table 29: Terms and Abbreviations

Abbreviation	Description
ADC	Analog-to-Digital Converter
AMR	Adaptive Multi-Rate
ARP	Antenna Reference Point
ASIC	Application Specific Integrated Circuit
BER	Bit Error Rate
BOM	Bill Of Material
BTS	Base Transceiver Station
CHAP	Challenge Handshake Authentication Protocol
CS	Coding Scheme
CSD	Circuit Switched Data
CTS	Clear To Send
DAC	Digital-to-Analog Converter
DRX	Discontinuous Reception
DSP	Digital Signal Processor
DCE	Data Communications Equipment (typically module)
DTE	Data Terminal Equipment (typically computer, external controller)
DTR	Data Terminal Ready
DTX	Discontinuous Transmission
EFR	Enhanced Full Rate
EGSM	Enhanced GSM
EMC	Electromagnetic Compatibility
ESD	Electrostatic Discharge
ETS	European Telecommunication Standard

FCC	Federal Communications Commission (U.S.)
FDMA	Frequency Division Multiple Access
FR	Full Rate
GMSK	Gaussian Minimum Shift Keying
GPRS	General Packet Radio Service
GSM	Global System for Mobile Communications
G.W	Gross Weight
HR	Half Rate
I/O	Input/Output
IC	Integrated Circuit
IMEI	International Mobile Equipment Identity
Imax	Maximum Load Current
Inorm	Normal Current
kbps	Kilo Bits Per Second
LED	Light Emitting Diode
Li-Ion	Lithium-Ion
MO	Mobile Originated
MOQ	Minimum Order Quantity
MP	Manufacture Product
MS	Mobile Station (GSM engine)
MT	Mobile Terminated
N.W	Net Weight
PAP	Password Authentication Protocol
PBCCH	Packet Switched Broadcast Control Channel
PCB	Printed Circuit Board

PDU	Protocol Data Unit
PPP	Point-to-Point Protocol
RF	Radio Frequency
RMS	Root Mean Square (value)
RTC	Real Time Clock
RX	Receive Direction
SIM	Subscriber Identification Module
SMS	Short Message Service
TDMA	Time Division Multiple Access
TE	Terminal Equipment
TX	Transmitting Direction
UART	Universal Asynchronous Receiver & Transmitter
URC	Unsolicited Result Code
USSD	Unstructured Supplementary Service Data
VSWR	Voltage Standing Wave Ratio
Vmax	Maximum Voltage Value
Vnorm	Normal Voltage Value
Vmin	Minimum Voltage Value
VIHmax	Maximum Input High Level Voltage Value
VIHmin	Minimum Input High Level Voltage Value
VILmax	Maximum Input Low Level Voltage Value
VILmin	Minimum Input Low Level Voltage Value
VImax	Absolute Maximum Input Voltage Value
VImin	Absolute Minimum Input Voltage Value
VOHmax	Maximum Output High Level Voltage Value

VOHmin Minimum Output High Level Voltage Value

VOLmax Maximum Output Low Level Voltage Value

VOLmin Minimum Output Low Level Voltage Value

Phonebook Abbreviations

LD SIM Last Dialing phonebook (list of numbers most recently dialed)

MC Mobile Equipment list of unanswered MT Calls (missed calls)

ON SIM (or ME) Own Numbers (MSISDNs) list

RC Mobile Equipment list of Received Calls

SM SIM phonebook

Quectel
Confidential

9 Appendix B GPRS Coding Scheme

Four coding schemes are used in GPRS protocol. The differences between them are shown in the following table.

Table 30: Description of Different Coding Schemes

Scheme	Code Rate	USF	Pre-coded USF	Radio Block excl.USF and BCS	BCS	Tail	Coded Bits	Punctured Bits	Data Rate Kb/s
CS-1	1/2	3	3	181	40	4	456	0	9.05
CS-2	2/3	3	6	268	16	4	588	132	13.4
CS-3	3/4	3	6	312	16	4	676	220	15.6
CS-4	1	3	12	428	16	-	456	-	21.4

Radio block structure of CS-1, CS-2 and CS-3 is shown as the figure below.

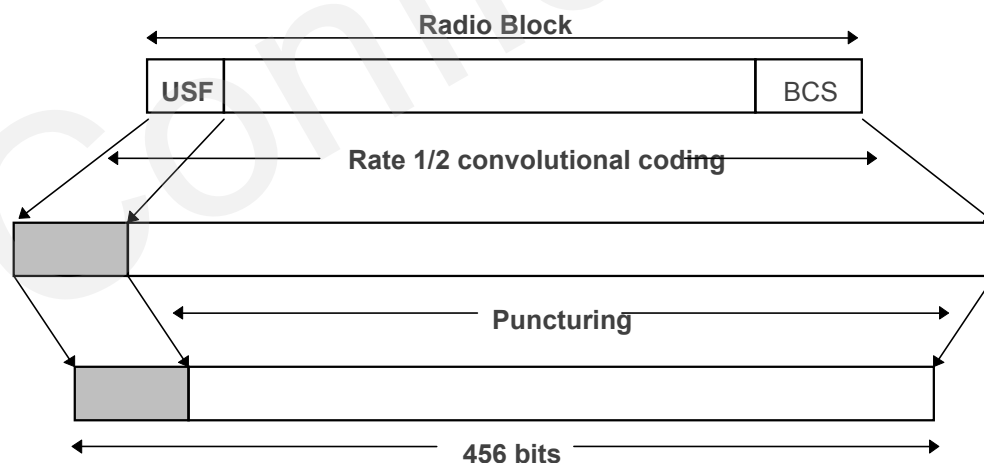


Figure 48: Radio Block Structure of CS-1, CS-2 and CS-3

Radio block structure of CS-4 is shown as the following figure.

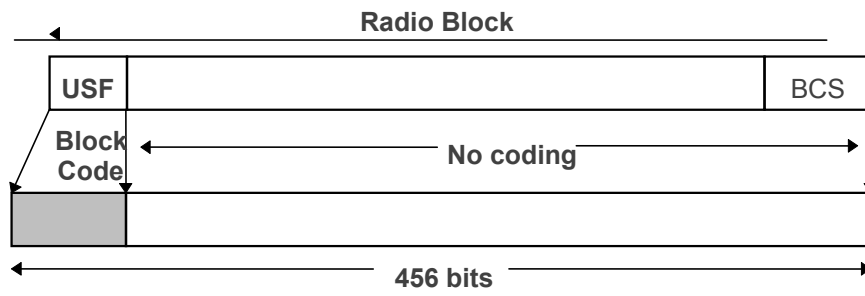


Figure 49: Radio Block Structure of CS-4

Quectel
Confidential

10 Appendix C GPRS Multi-slot Class

Twenty-nine classes of GPRS multi-slot modes are defined for MS in GPRS specification. Multi-slot classes are product dependant, and determine the maximum achievable data rates in both the uplink and downlink directions. Written as 3+1 or 2+2, the first number indicates the amount of downlink timeslots, while the second number indicates the amount of uplink timeslots. The active slots determine the total number of slots the GPRS device can use simultaneously for both uplink and downlink communications. The description of different multi-slot classes is shown in the following table.

Table 31: GPRS Multi-slot Classes

Multislot Class	Downlink Slots	Uplink Slots	Active Slots
1	1	1	2
2	2	1	3
3	2	2	3
4	3	1	4
5	2	2	4
6	3	2	4
7	3	3	4
8	4	1	5
9	3	2	5
10	4	2	5
11	4	3	5
12	4	4	5

