



# M80

## Quectel Cellular Engine

### Hardware Design

M80\_HD\_V1.0



<b>Document Title</b>	M80 Hardware Design
<b>Revision</b>	1.0
<b>Date</b>	2011-11-12
<b>Status</b>	Released
<b>Document Control ID</b>	M80_HD_V1.0

### **General Notes**

Quectel offers this information as a service to its customers, to support application and engineering efforts that use the products designed by Quectel. The information provided is based upon requirements specifically provided for customers of Quectel. Quectel has not undertaken any independent search for additional information, relevant to any information that may be in the customer's possession. Furthermore, system validation of this product designed by Quectel within a larger electronic system remains the responsibility of the customer or the customer's system integrator. All specifications supplied herein are subject to change.

### **Copyright**

This document contains proprietary technical information of Quectel Co., Ltd. Copying this document, distribution to others, and communication of the contents thereof, are forbidden without permission. Offenders are liable to the payment of damages. All rights are reserved in the event of a patent grant or registration of a utility model or design. All specifications supplied herein are subject to change without notice at any time.

*Copyright © Shanghai Quectel Wireless Solutions Ltd. 2011*

## Contents

Contents .....	3
Table Index.....	5
Figure Index .....	6
0. Revision history .....	8
1. Introduction.....	9
1.1. Related documents .....	9
1.2. Terms and abbreviations.....	10
1.3. Safety caution.....	12
2. Product concept.....	14
2.1. Key features .....	14
2.2. Functional diagram.....	16
2.3. Evaluation board .....	18
3. Application interface.....	19
3.1. Pin .....	20
3.1.1. Pin assignment.....	20
3.1.2. Pin description.....	22
3.2. Operating modes .....	31
3.3. Power supply.....	32
3.3.1. Feature of GSM power.....	32
3.3.2. Minimize supply voltage drop.....	32
3.3.3. Reference power design for module.....	33
3.3.4. Monitor power supply .....	34
3.4. Power on and power down scenarios .....	34
3.4.1. Power on.....	34
3.4.2. Power down.....	36
3.4.3. Restart.....	40
3.5. Charging interface .....	41
3.6. Power saving .....	41
3.6.1. Minimum functionality mode.....	41
3.6.2. SLEEP mode .....	41
3.6.3. Wake up module from SLEEP mode .....	42
3.7. Summary of state transitions .....	42
3.8. RTC backup.....	42
3.9. Serial interfaces .....	44
3.9.1. UART Port .....	45
3.9.2. Debug Port.....	49
3.9.3. Auxiliary UART Port .....	49
3.9.4. UART Application .....	50
3.10. Audio interfaces .....	53
3.10.1. Decrease TDD noise and other noise .....	54
3.10.2. Microphone interfaces design.....	55

3.10.3. Receiver and speaker interface design.....	56
3.10.4. Earphone interface design .....	57
3.10.5. Loud speaker interface design .....	58
3.10.6. Audio characteristics .....	59
3.11. SIM card interface .....	59
3.11.1. SIM card application .....	59
3.11.2. 6 Pin SIM cassette .....	61
3.11.3. 8 Pin SIM cassette .....	62
3.12. Camera interface .....	63
3.13. SD card interface.....	63
3.14. PCM interface .....	63
3.15. USB interface .....	63
3.16. ADC .....	64
3.17. Behaviors of the RI .....	64
3.18. Network status indication.....	67
3.19. Operating status indication.....	67
4. Antenna interface .....	69
4.1. RF reference design.....	69
4.2. RF output power.....	70
4.3. RF receiving sensitivity.....	70
4.4. Operating frequencies .....	70
4.5. RF cable soldering.....	70
5. Electrical, reliability and radio characteristics .....	72
5.1. Absolute maximum ratings.....	72
5.2. Operating temperature.....	72
5.3. Power supply ratings .....	72
5.4. Current consumption .....	73
5.5. Electro-static discharge .....	76
6. Mechanical dimensions.....	77
6.1. Mechanical dimensions of module.....	77
6.2. Footprint one of recommendation .....	79
6.3. Footprint two of recommendation.....	80
6.4. Top view of the module .....	81
6.5. Bottom view of the module.....	82
7. Storage and Manufacturing .....	83
7.1. Storage .....	83
7.2. Soldering .....	84
7.3. Packaging .....	85
Appendix A: GPRS coding schemes.....	86
Appendix B: GPRS multi-slot classes.....	87

## Table Index

TABLE 1: RELATED DOCUMENTS .....	9
TABLE 2: TERMS AND ABBREVIATIONS .....	10
TABLE 3: MODULE KEY FEATURES .....	14
TABLE 4: CODING SCHEMES AND MAXIMUM NET DATA RATES OVER AIR INTERFACE..	16
TABLE 5: M80 PIN ASSIGNMENT .....	21
TABLE 6: PIN DESCRIPTION .....	22
TABLE 7: OVERVIEW OF OPERATING MODES .....	31
TABLE 8: SUMMARY OF STATE TRANSITION .....	42
TABLE 9: LOGIC LEVELS OF THE UART INTERFACE.....	45
TABLE 10: PIN DEFINITION OF THE UART INTERFACES .....	45
TABLE 11: PIN DEFINITION OF AUDIO INTERFACE .....	53
TABLE 12: AOUT3 OUTPUT CHARACTERISTICS.....	54
TABLE 13: TYPICAL ELECTRET MICROPHONE CHARACTERISTICS.....	59
TABLE 14: TYPICAL SPEAKER CHARACTERISTICS .....	59
TABLE 15: PIN DEFINITION OF THE SIM INTERFACE .....	60
TABLE 16: PIN DESCRIPTION OF AMPHENOL SIM CARD HOLDER .....	62
TABLE 17: PIN DESCRIPTION OF MOLEX SIM CARD HOLDER.....	62
TABLE 18: USB INTERFACE CHARACTERISTICS.....	63
TABLE 19: PIN DEFINITION OF THE ADC.....	64
TABLE 20: CHARACTERISTICS OF THE ADC .....	64
TABLE 21: BEHAVIORS OF THE RI .....	65
TABLE 22: WORKING STATE OF THE NETLIGHT .....	67
TABLE 23: PIN DEFINITION OF THE STATUS .....	67
TABLE 24: THE MODULE CONDUCTED RF OUTPUT POWER.....	70
TABLE 25: THE MODULE CONDUCTED RF RECEIVING SENSITIVITY.....	70
TABLE 26: THE MODULE OPERATING FREQUENCIES.....	70
TABLE 27: ABSOLUTE MAXIMUM RATINGS.....	72
TABLE 28: OPERATING TEMPERATURE .....	72
TABLE 29: THE MODULE POWER SUPPLY RATINGS.....	72
TABLE 30: THE MODULE CURRENT CONSUMPTION.....	74
TABLE 31: THE ESD ENDURANCE (TEMPERATURE:25°C,HUMIDITY:45 %) .....	76
TABLE 32: DESCRIPTION OF DIFFERENT CODING SCHEMES .....	86
TABLE 33: GPRS MULTI-SLOT CLASSES .....	87

## Figure Index

FIGURE 1: MODULE FUNCTIONAL DIAGRAM .....	17
FIGURE 2: PIN ASSIGNMENT.....	20
FIGURE 3: RIPPLE IN SUPPLY VOLTAGE DURING TRANSMITTING BURST .....	32
FIGURE 4: REFERENCE CIRCUIT OF THE VBAT INPUT .....	33
FIGURE 5: REFERENCE CIRCUIT OF THE SOURCE POWER SUPPLY INPUT .....	34
FIGURE 6: TURN ON THE MODULE USING DRIVING CIRCUIT.....	35
FIGURE 7: TURN ON THE MODULE USING KEYSTROKE.....	35
FIGURE 8: TIMING OF TURNING ON SYSTEM.....	36
FIGURE 9: TIMING OF TURNING OFF THE MODULE .....	37
FIGURE 10: REFERENCE CIRCUIT FOR EMERG_OFF BY USING DRIVING CIRCUIT .....	39
FIGURE 11: REFERENCE CIRCUIT FOR EMERG_OFF BY USING BUTTON.....	39
FIGURE 12: TIMING OF RESTARTING SYSTEM .....	40
FIGURE 13: TIMING OF RESTARTING SYSTEM AFTER EMERGENCY SHUTDOWN.....	40
FIGURE 14: RTC SUPPLY FROM NON-CHARGEABLE BATTERY .....	43
FIGURE 15: RTC SUPPLY FROM RECHARGEABLE BATTERY .....	43
FIGURE 16: RTC SUPPLY FROM CAPACITOR .....	43
FIGURE 17: SEIKO XH414H-IV01E CHARGE CHARACTERISTICS.....	44
FIGURE 18: CONNECTION OF ALL FUNCTIONAL UART PORT.....	47
FIGURE 19: CONNECTION OF THREE LINES UART PORT .....	47
FIGURE 20: CONNECTION OF UART PORT ASSOCIATED HARDWARE FLOW CONTROL....	48
FIGURE 21: CONNECTION OF SOFTWARE UPGRADE.....	48
FIGURE 22: CONNECTION OF SOFTWARE DEBUG .....	49
FIGURE 23: CONNECTION OF AUXILIARY UART PORT.....	49
FIGURE 24: 3.3V LEVEL MATCH CIRCUIT.....	50
FIGURE 25: 5V LEVEL MATCH CIRCUIT .....	51
FIGURE 26: RS232 LEVEL MATCH CIRCUIT .....	52
FIGURE 27: MICROPHONE INTERFACE DESIGN OF AIN1&AIN2 .....	55
FIGURE 28: RECEIVER INTERFACE DESIGN OF AOUT1 .....	56
FIGURE 29: HANDSET INTERFACE DESIGN OF AOUT2.....	56
FIGURE 30: SPEAKER INTERFACE WITH AMPLIFIER DESIGN OF AOUT2.....	57
FIGURE 31: EARPHONE INTERFACE DESIGN .....	57
FIGURE 32: LOUD SPEAKER INTERFACE DESIGN.....	58
FIGURE 33: REFERENCE CIRCUIT OF THE 8 PINS SIM CARD.....	60
FIGURE 34: REFERENCE CIRCUIT OF THE 6 PINS SIM CARD.....	61
FIGURE 35: AMPHENOL C707 10M006 512 2 SIM CARD HOLDER.....	61
FIGURE 36: MOLEX 91228 SIM CARD HOLDER .....	62
FIGURE 37: CONNECTION OF USB DOWNLOAD .....	64
FIGURE 38: RI BEHAVIOR OF VOICE CALLING AS A RECEIVER .....	65
FIGURE 39: RI BEHAVIOR OF DATA CALLING AS A RECEIVER .....	66
FIGURE 40: RI BEHAVIOR AS A CALLER.....	66
FIGURE 41: RI BEHAVIOR OF URC OR SMS RECEIVED .....	66

FIGURE 42: REFERENCE CIRCUIT OF THE NETLIGHT.....	67
FIGURE 43: REFERENCE CIRCUIT OF THE STATUS.....	68
FIGURE 44: REFERENCE CIRCUIT OF RF.....	69
FIGURE 45: RF SOLDERING SAMPLE.....	71
FIGURE 46: M80 TOP AND SIDE DIMENSIONS (UNIT: MM).....	77
FIGURE 47: M80 BOTTOM DIMENSIONS (UNIT: MM).....	78
FIGURE 48: FOOTPRINT ONE OF RECOMMENDATION (UNIT: MM).....	79
FIGURE 49: FOOTPRINT TWO OF RECOMMENDATION (UNIT: MM).....	80
FIGURE 50: TOP VIEW OF THE MODULE.....	81
FIGURE 51: BOTTOM VIEW OF THE MODULE.....	82
FIGURE 52: PASTE APPLICATION.....	84
FIGURE 53: RAMP-SOAK-SPIKE REFLOW PROFILE.....	85
FIGURE 54: MODULE TRAY.....	85
FIGURE 55: RADIO BLOCK STRUCTURE OF CS-1, CS-2 AND CS-3.....	86
FIGURE 56: RADIO BLOCK STRUCTURE OF CS-4.....	86

## 0. Revision history

Revision	Date	Author	Description of change
1.0	2011-11-01	Ray XU	Initial



## 1. Introduction

This document defines the M80 module and describes the hardware interface of M80 which are connected with the customer application and the air interface.

This document can help customers quickly understand module interface specifications, electrical and mechanical details. With the help of this document, associated application notes and user guide, customers can use M80 module to design and set up mobile applications quickly.

### 1.1. Related documents

**Table 1: Related documents**

SN	Document name	Remark
[1]	M80_ATC	AT command set
[2]	ITU-T Draft new recommendation V.25ter	Serial asynchronous automatic dialing and control
[3]	GSM 07.07	Digital cellular telecommunications (Phase 2+); AT command set for GSM Mobile Equipment (ME)
[4]	GSM 07.10	Support GSM 07.10 multiplexing protocol
[5]	GSM 07.05	Digital cellular telecommunications (Phase 2+); Use of Data Terminal Equipment – Data Circuit terminating Equipment (DTE – DCE) interface for Short Message Service (SMS) and Cell Broadcast Service (CBS)
[6]	GSM 11.14	Digital cellular telecommunications (Phase 2+); Specification of the SIM Application Toolkit for the Subscriber Identity module – Mobile Equipment (SIM – ME) interface
[7]	GSM 11.11	Digital cellular telecommunications (Phase 2+); Specification of the Subscriber Identity module – Mobile Equipment (SIM – ME) interface
[8]	GSM 03.38	Digital cellular telecommunications (Phase 2+); Alphabets and language-specific information
[9]	GSM 11.10	Digital cellular telecommunications (Phase 2); Mobile Station (MS) conformance specification; Part 1: Conformance specification
[10]	GSM_UART_AN	UART port application notes
[11]	GSM_FW_Upgrade_AN01	GSM Firmware upgrade application note
[12]	M80_EVB_UGD	M80 EVB user guide application notes

## 1.2. Terms and abbreviations

**Table 2: Terms and abbreviations**

Abbreviation	Description
ADC	Analog-to-Digital Converter
AMR	Adaptive Multi-Rate
ARP	Antenna Reference Point
ASIC	Application Specific Integrated Circuit
BER	Bit Error Rate
BOM	Bill Of Material
BTS	Base Transceiver Station
CHAP	Challenge Handshake Authentication Protocol
CS	Coding Scheme
CSD	Circuit Switched Data
CTS	Clear To Send
DAC	Digital-to-Analog Converter
DRX	Discontinuous Reception
DSP	Digital Signal Processor
DCE	Data Communications Equipment (typically module)
DTE	Data Terminal Equipment (typically computer, external controller)
DTR	Data Terminal Ready
DTX	Discontinuous Transmission
EFR	Enhanced Full Rate
EGSM	Enhanced GSM
EMC	Electromagnetic Compatibility
ESD	Electrostatic Discharge
ETS	European Telecommunication Standard
FCC	Federal Communications Commission (U.S.)
FDMA	Frequency Division Multiple Access
FR	Full Rate
GMSK	Gaussian Minimum Shift Keying
GPRS	General Packet Radio Service
GSM	Global System for Mobile Communications
HR	Half Rate
I/O	Input/Output
IC	Integrated Circuit
IMEI	International Mobile Equipment Identity
Imax	Maximum Load Current
Inorm	Normal Current
kbps	Kilo Bits Per Second
LED	Light Emitting Diode

Li-Ion	Lithium-Ion
<b>Abbreviation</b>	<b>Description</b>
MO	Mobile Originated
MS	Mobile Station (GSM engine)
MT	Mobile Terminated
PAP	Password Authentication Protocol
PBCCH	Packet Switched Broadcast Control Channel
PCB	Printed Circuit Board
PDU	Protocol Data Unit
PPP	Point-to-Point Protocol
RF	Radio Frequency
RMS	Root Mean Square (value)
RTC	Real Time Clock
RX	Receive Direction
SIM	Subscriber Identification Module
SMS	Short Message Service
TDMA	Time Division Multiple Access
TE	Terminal Equipment
TX	Transmitting Direction
UART	Universal Asynchronous Receiver & Transmitter
URC	Unsolicited Result Code
USSD	Unstructured Supplementary Service Data
VSWR	Voltage Standing Wave Ratio
Vmax	Maximum Voltage Value
Vnorm	Normal Voltage Value
Vmin	Minimum Voltage Value
VIHmax	Maximum Input High Level Voltage Value
VIHmin	Minimum Input High Level Voltage Value
VILmax	Maximum Input Low Level Voltage Value
VILmin	Minimum Input Low Level Voltage Value
VImax	Absolute Maximum Input Voltage Value
VImin	Absolute Minimum Input Voltage Value
VOHmax	Maximum Output High Level Voltage Value
VOHmin	Minimum Output High Level Voltage Value
VOLmax	Maximum Output Low Level Voltage Value
VOLmin	Minimum Output Low Level Voltage Value
<b>Phonebook abbreviations</b>	
FD	SIM Fix Dialing phonebook
LD	SIM Last Dialing phonebook (list of numbers most recently dialed)
MC	Mobile Equipment list of unanswered MT Calls (missed calls)
ON	SIM (or ME) Own Numbers (MSISDNs) list
RC	Mobile Equipment list of Received Calls

SM	SIM phonebook
----	---------------

### 1.3. Safety caution

The following safety precautions must be observed during all phases of the operation, such as usage, service or repair of any cellular terminal or mobile incorporating M80 module. Manufacturers of the cellular terminal should send the following safety information to users and operating personnel and to incorporate these guidelines into all manuals supplied with the product. If not so, Quectel does not take on any liability for customer failure to comply with these precautions.



When in a hospital or other health care facility, observe the restrictions about the use of mobile. Switch the cellular terminal or mobile off. Medical equipment may be sensitive to not operate normally for RF energy interference.



Switch off the cellular terminal or mobile before boarding an aircraft. Make sure it switched off. The operation of wireless appliances in an aircraft is forbidden to prevent interference with communication systems. Forget to think much of these instructions may lead to the flight safety or offend against local legal action, or both.



Do not operate the cellular terminal or mobile in the presence of flammable gas or fume. Switch off the cellular terminal when you are near petrol station, fuel depot, chemical plant or where blasting operations are in progress. Operation of any electrical equipment in potentially explosive atmosphere can constitute a safety hazard.



Your cellular terminal or mobile receives and transmits radio frequency energy while switched on. RF interference can occur if it is used close to TV set, radio, computer or other electric equipment.



Road safety comes first! Do not use a hand-held cellular terminal or mobile while driving a vehicle, unless it is securely mounted in a holder for hands-free operation. Before making a call with a hand-held terminal or mobile, park the vehicle.



GSM cellular terminals or mobiles operate over radio frequency signal and cellular network and cannot be guaranteed to connect in all conditions, for example no mobile fee or an invalid SIM card. While you are in this condition and need emergent help, Please Remember using emergency call. In order to make or receive call, the cellular terminal or mobile must be switched on and in a service area with adequate cellular signal strength.

Some networks do not allow for emergency call if certain network services or phone features are in use (e.g. lock functions, fixed dialing etc.). You may have to deactivate those features before you can make an emergency call.

Also, some networks require that a valid SIM card be properly inserted in cellular terminal or mobile.

## 2. Product concept

M80 is a Quad-band GSM/GPRS engine that works at frequencies of GSM850MHz, GSM900MHz, DCS1800MHz and PCS1900MHz. The M80 features GPRS multi-slot class 12 and supports the GPRS coding schemes CS-1, CS-2, CS-3 and CS-4. For more details about GPRS multi-slot classes and coding schemes, please refer to *Appendix A and Appendix B*.

With a tiny profile of 23mm × 25mm × 2.6 mm, the module can meet almost all the requirements for M2M applications, including Tracking and Tracing, Monitor and Security System, Wireless POS, Intelligent Measurement, Industrial PDA, Remote Controlling, etc.

M80 is an SMD type module with LGA package, which can be embedded in customer applications. It provides abundant hardware interfaces between the module and customer's host board.

The module is designed with power saving technique so that the current consumption is as low as 1.1 mA in SLEEP mode when DRX is 5.

M80 is integrated with Internet service protocols, which are TCP/IP, UDP, FTP and PPP. Extended AT commands have been developed for customer to use these Internet service protocols easily.

The module fully complies to the RoHS directive of the European Union.

### 2.1. Key features

**Table 3: Module key features**

Feature	Implementation
Power supply	Single supply voltage 3.3V ~ 4.6V Typical supply voltage 4V
Power saving	Typical power consumption in SLEEP mode: 1.1 mA@ DRX=5 0.95 mA@ DRX=9
Frequency bands	<ul style="list-style-type: none"> <li>● Quad-band: GSM850, GSM900, DCS1800, PCS1900.</li> <li>● The module can search these frequency bands automatically</li> <li>● The frequency bands can be set by AT command.</li> <li>● Compliant with GSM Phase 2/2+</li> </ul>
GSM class	Small MS
Transmitting power	<ul style="list-style-type: none"> <li>● Class 4 (2W) at GSM850 and GSM900</li> <li>● Class 1 (1W) at DCS1800 and PCS1900</li> </ul>
GPRS connectivity	<ul style="list-style-type: none"> <li>● GPRS multi-slot class 12 (default)</li> <li>● GPRS multi-slot class 1~12 (configurable)</li> </ul>

	<ul style="list-style-type: none"> <li>● GPRS mobile station class B</li> </ul>
Temperature range	<ul style="list-style-type: none"> <li>● Normal operation: -35 °C ~ +80 °C</li> <li>● Restricted operation: -45 °C ~ -35 °C and +80 °C ~ +85 °C <sup>1)</sup></li> <li>● Storage temperature: -45 °C ~ +90 °C</li> </ul>
DATA GPRS:	<ul style="list-style-type: none"> <li>● GPRS data downlink transfer: max. 85.6 kbps</li> <li>● GPRS data uplink transfer: max. 85.6 kbps</li> <li>● Coding scheme: CS-1, CS-2, CS-3 and CS-4</li> <li>● Support the protocols PAP (Password Authentication Protocol) usually used for PPP connections</li> <li>● Internet service protocols TCP/UDP/FTP/HTTP/MMS</li> <li>● Support Packet Switched Broadcast Control Channel (PBCCH)</li> </ul>
CSD:	<ul style="list-style-type: none"> <li>● CSD transmission rates: 2.4, 4.8, 9.6, 14.4 kbps non-transparent</li> <li>● Unstructured Supplementary Services Data (USSD) support</li> </ul>
SMS	<ul style="list-style-type: none"> <li>● Text and PDU mode</li> <li>● SMS storage: SIM card</li> </ul>
FAX	Group 3 Class 1 and Class 2
SIM interface	Support SIM card: 1.8V, 3V
Audio features	<p>Speech codec modes:</p> <ul style="list-style-type: none"> <li>● Half Rate (ETS 06.20)</li> <li>● Full Rate (ETS 06.10)</li> <li>● Enhanced Full Rate (ETS 06.50 / 06.60 / 06.80)</li> <li>● Adaptive Multi-Rate (AMR)</li> <li>● Echo Cancellation</li> <li>● Echo Suppression</li> <li>● Noise Reduction</li> <li>● Embedded one amplifier of class AB with maximum driving power up to 800mW</li> </ul>
UART interface	<p>UART Port:</p> <ul style="list-style-type: none"> <li>● Seven lines on UART port interface</li> <li>● Use for AT command, GPRS data and CSD data</li> <li>● Multiplexing function</li> <li>● Support autobauding from 4800 bps to 115200 bps</li> </ul> <p>Debug Port:</p> <ul style="list-style-type: none"> <li>● Two lines on debug UART port interface DBG_TXD and DBG_RXD</li> <li>● Debug Port only used for software debugging</li> </ul> <p>Auxiliary Port:</p> <ul style="list-style-type: none"> <li>● Use for AT command</li> </ul>
Phonebook management	Support phonebook types: SM, ME, FD, ON, MT
SIM Application Toolkit	Support SAT class 3, GSM 11.14 Release 99
Real time clock	Implemented
Physical characteristics	<p>Size:</p> <p>23±0.15 × 25±0.15 × 2.6±0.2mm</p>

	Weight: 3.3g
Firmware upgrade	Firmware upgrade via UART Port or USB Port
Antenna interface	Connected via 50 Ohm antenna pad

**Table 4: Coding schemes and maximum net data rates over air interface**

Coding scheme	1 Timeslot	2 Timeslot	4 Timeslot
CS-1:	9.05kbps	18.1kbps	36.2kbps
CS-2:	13.4kbps	26.8kbps	53.6kbps
CS-3:	15.6kbps	31.2kbps	62.4kbps
CS-4:	21.4kbps	42.8kbps	85.6kbps

## 2.2. Functional diagram

The following figure shows a block diagram of the M80 module and illustrates the major functional parts:

- Power management
- Baseband
- Serial Flash
- The GSM radio frequency part
- The Peripheral interface
  - Charging interface
  - PCM interface
  - SD card interface
  - SIM interface
  - Camera interface
  - Audio interface
  - UART interface
  - Power supply
  - RF interface
  - USB interface
  - ADC
  - Turn on/off interface



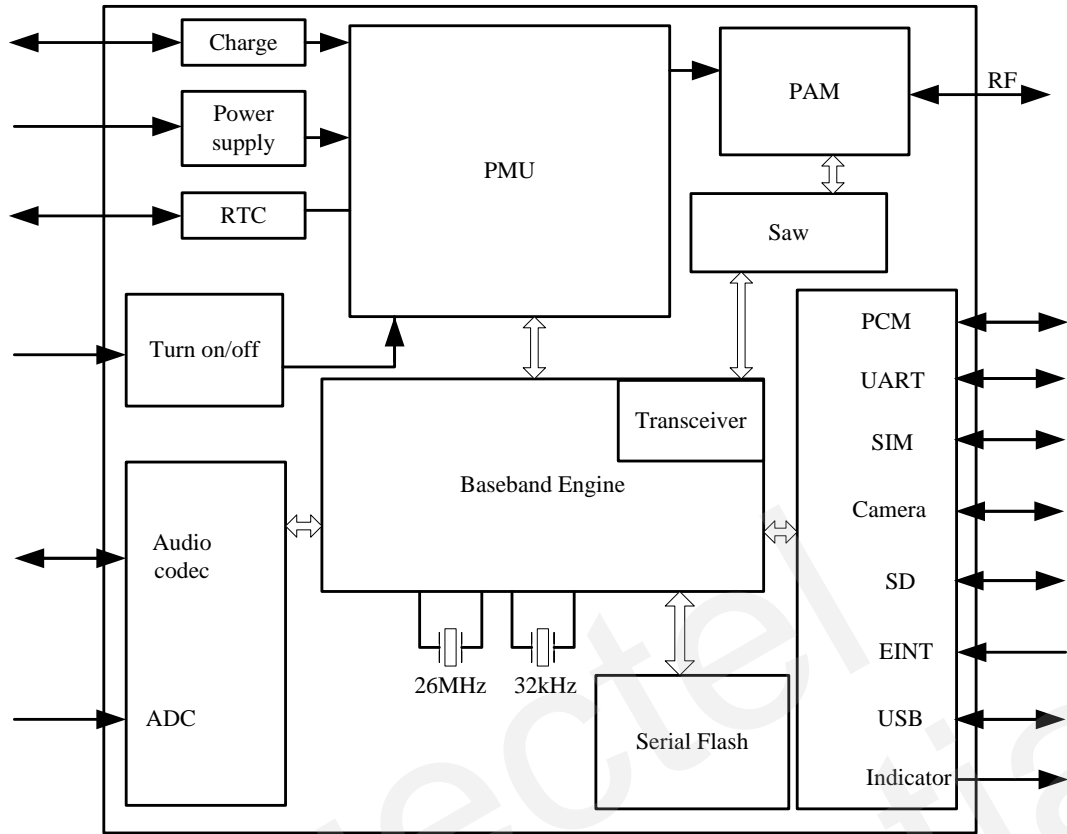


Figure 1: Module functional diagram

### 2.3. Evaluation board

In order to help customer to develop applications with M80, Quectel supplies an evaluation board (EVB), RS-232 to USB cable, USB data cable, power adapter, earphone, antenna and other peripherals to control or test the module. For details, please refer to **the document [12]**.

### 3. Application interface

The module is equipped with 110 pin SMT pad and it adopts LGA package. Detailed descriptions on Sub-interfaces included in these pads are given in the following chapters:

- Power supply
- Turn on/off
- Power saving
- RTC
- UART interfaces
- Audio interfaces
- SIM interface
- USB interface
- ADC

### 3.1. Pin

#### 3.1.1. Pin assignment

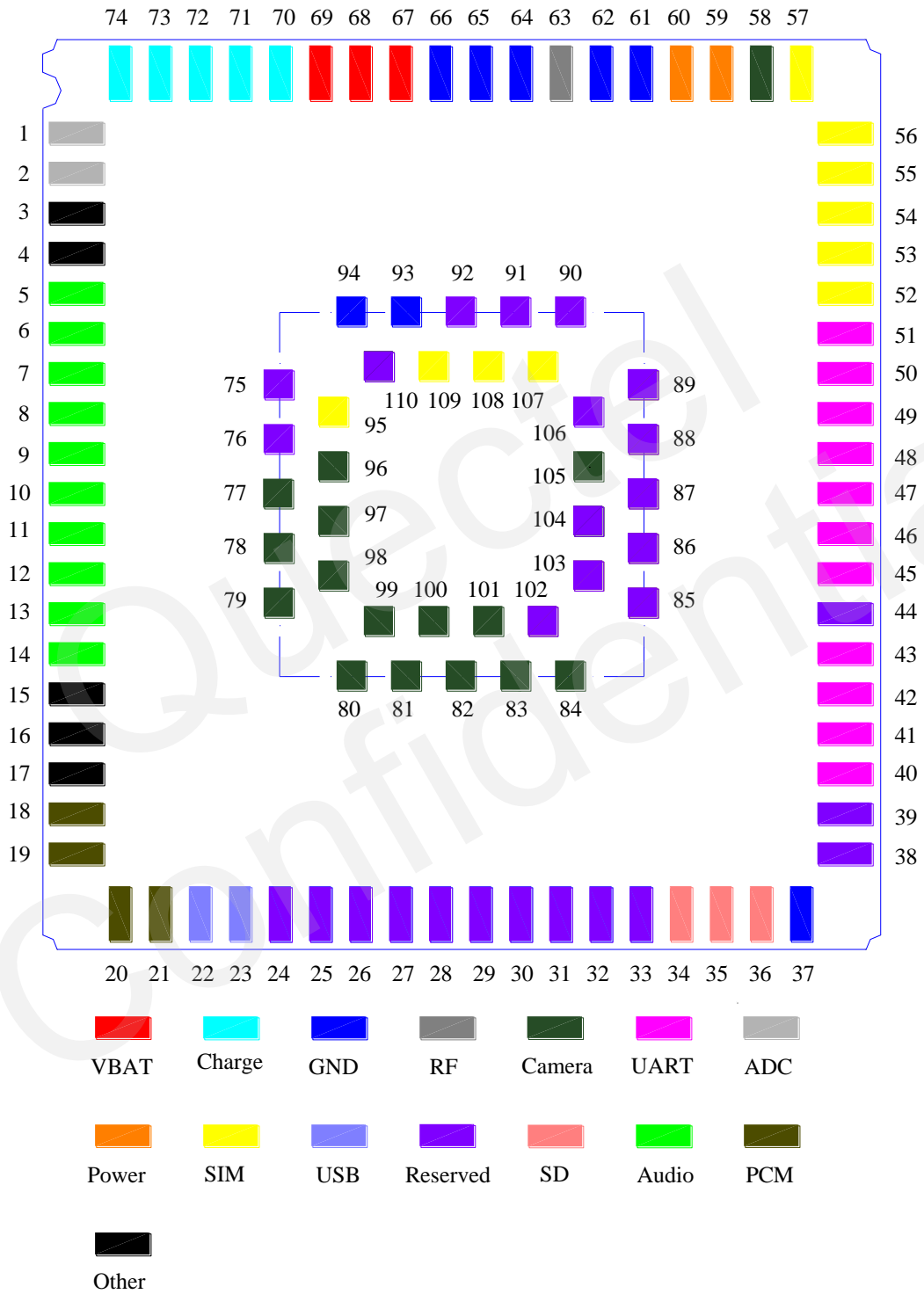


Figure 2: Pin assignment

Table 5: M80 pin assignment

PIN NO.	PIN NAME	I/O	PIN NO.	PIN NAME	I/O
1	ADC1	I	2	ADC0	I
3	DOWNLOAD	I	4	NETLIGHT	O
5	SPK2P	O	6	AGND	
7	MIC2P	I	8	MIC2N	I
9	MIC1P	I	10	MIC1N	I
11	SPK1N	O	12	SPK1P	O
13	LOUDSPKN	O	14	LOUDSPKP	O
15	PWRKEY	I	16	STATUS	O
17	EMERG_OFF	I	18	PCM_IN	I
19	PCM_CLK	O	20	PCM_OUT	O
21	PCM_SYNC	O	22	USB_DM	I/O
23	USB_DP	I/O	24	RESERVED	
25	RESERVED		26	RESERVED	
27	RESERVED		28	RESERVED	
29	RESERVED		30	RESERVED	
31	RESERVED		32	RESERVED	
33	RESERVED		34	SD_CMD	O
35	SD_CLK	O	36	SD_DATA0	I/O
37	GND		38	RESERVED	
39	RESERVED		40	TXD_AUX	O
41	RXD_AUX	I	42	DBG_TXD	O
43	DBG_RXD	I	44	RESERVED	
45	DCD	O	46	RI	O
47	DTR	I	48	CTS	O
49	TXD	O	50	RXD	I
51	RTS	I	52	SIM1_GND	
53	SIM1_RST	O	54	SIM1_DATA	I/O
55	SIM1_CLK	O	56	SIM1_VDD	O
57	SIM_PRESENCE	I	58	VCAMD	O
59	VRTC	O	60	VDD_EXT	O
61	GND		62	GND	
63	RF_ANT	I/O	64	GND	
65	GND		66	GND	
67	VBAT	I	68	VBAT	I
69	VBAT	I	70	BATSNS	I
71	ISENSE	I	72	CHGDET	I

73	CHGLDO	I	74	GATDRV	O
75	RESERVED		76	RESERVED	
77	CS_D3	I	78	CS_D0	I
79	CS_VSYNC	I	80	CS_D4	I
81	CS_D7	I	82	CS_D5	I
83	CS_PWDN	O	84	CS_D1	I
85	RESERVED		86	RESERVED	
87	RESERVED		88	RESERVED	
89	RESERVED		90	RESERVED	
91	RESERVED		92	RESERVED	
93	GND		94	GND	
95	SIM2_RST	O	96	CS_D2	I
97	CS_PCLK	I	98	CS_HSYNC	I
99	CS_MCLK	O	100	CS_D6	I
101	CS_RST	O	102	RESERVED	
103	RESERVED		104	RESERVED	
105	VCAMA	O	106	RESERVED	
107	SIM2_VDD	O	108	SIM2_CLK	O
109	SIM2_DATA	I/O	110	RESERVED	

*Note: Keep all reserved pins open.*

### 3.1.2. Pin description

**Table 6: Pin description**

Power supply					
PIN NAME	PIN NO.	I/O	DESCRIPTION	DC CHARACTERISTICS	COMMENT
VBAT	67, 68, 69	I	Main power supply of module: VBAT=3.3V~4.6V	V <sub>max</sub> = 4.6V V <sub>min</sub> =3.3V V <sub>norm</sub> =4.0V	Make sure that supply sufficient current in a transmitting burst which typically rises to 1.6A.
VRTC	59	I/O	Power supply for RTC when VBAT is not supplied for the system. Charging for backup battery or golden capacitor when the	V <sub>imax</sub> =VBAT V <sub>imin</sub> =2.6V V <sub>inorm</sub> =2.8V V <sub>Omax</sub> =2.85V V <sub>Omin</sub> =2.6V V <sub>Onorm</sub> =2.8V I <sub>out(max)</sub> = 730uA	If unused, keep this pin open.

			VBAT is supplied.	I <sub>in</sub> =2.6~5 uA	
VDD_EXT	60	O	Supply 2.8V voltage for external circuit.	V <sub>max</sub> =2.9V V <sub>min</sub> =2.7V V <sub>norm</sub> =2.8V I <sub>max</sub> =20mA	1. If unused, keep this pin open. 2. Recommend to add a 2.2~4.7uF bypass capacitor, when using this pin for power supply.
GND	37, 61, 62, 64, 65, 66, 93, 94		Ground		
<b>Charge interface</b>					
PIN NAME	PIN NO.	I/O	DESCRIPTION	DC CHARACTERISTICS	COMMENT
GATDRV	74	O	Charge passed element control pin		Not supported at present.
CHGLDO	73	I	Charger power supply source		
CHGDET	72	I	Charger detect		
ISENSE	71	I	Current sense pin		
BATSNS	70	I	VBAT voltage sense pin		
<b>Turn on/off</b>					
PIN NAME	PIN NO.	I/O	DESCRIPTION	DC CHARACTERISTICS	COMMENT
PWRKEY	15	I	Power on/off key. PWRKEY should be pulled down for a moment to turn on or turn off the system.	V <sub>ILmax</sub> = 0.1*VBAT V <sub>IHmin</sub> = 0.6*VBAT V <sub>Imax</sub> =VBAT	Pulled up to VBAT internally.
<b>Emergency shutdown</b>					
PIN NAME	PIN NO.	I/O	DESCRIPTION	DC CHARACTERISTICS	COMMENT
EMERG_OFF	17	I	Emergency off. Pulled down for at least 20ms, which will turn off the module in case of emergency. Use it	V <sub>ILmax</sub> =0.4V V <sub>IHmin</sub> =2.2V V <sub>openmax</sub> =2.8V	Open drain/collector driver required in cellular device application. If unused, keep this

			only when normal shutdown through PWRKEY or AT command can't perform well.		pin open.
<b>Module indicator</b>					
PIN NAME	PIN NO.	I/O	DESCRIPTION	DC CHARACTERISTICS	COMMENT
STATUS	16	O	Indicate module operating status. High level indicates module is power-on and low level indicates power-down.	VOHmin= 0.85*VDD_EXT VOLmax= 0.15*VDD_EXT	If unused, keep this pin open.
<b>Audio interface</b>					
PIN NAME	PIN NO.	I/O	DESCRIPTION	DC CHARACTERISTICS	COMMENT
MIC1P MIC1N	9, 10	I	Channel one of positive and negative voice-band input		If unused, keep these pins open.
MIC2P MIC2N	7, 8	I	Channel two of positive and negative voice-band input		
SPK1P SPK1N	12,11	O	Channel one of positive and negative voice-band output		If unused, keep these pins open.
SPK2P AGND	5,6	O	Channel two of positive and negative voice-band output		1, If unused, keep these pins open. 2, Support both voice and ring.
LOUDSPK N LOUDSPK P	13, 14	O	Channel three of positive and negative voice-band output		1, If unused, keep these pins open. 2, Embedded amplifier of class AB internally. 3, Support both voice and ring.
<b>Net status indicator</b>					
PIN NAME	PIN NO.	I/O	DESCRIPTION	DC CHARACTERISTICS	COMMENT



NETLIGHT	4	O	Network status indication	VOHmin= 0.85*VDD_EXT VOLmax= 0.15*VDD_EXT	If unused, keep these pins open.
<b>Main UART port</b>					
PIN NAME	PIN NO.	I/O	DESCRIPTION	DC CHARACTERISTICS	COMMENT
DTR	47	I	Data terminal ready	VILmin=-0.3V VILmax= 0.25*VDD_EXT VIHmin= 0.75*VDD_EXT VIHmax= VDD_EXT+0.3 VOHmin= 0.85*VDD_EXT VOLmax= 0.15*VDD_EXT	If only use TXD, RXD and GND to communicate, recommend keeping other pins open.
RXD	50	I	Receiving data		
TXD	49	O	Transmitting data		
RTS	51	I	Request to send		
CTS	48	O	Clear to send		
RI	46	O	Ring indicator		
DCD	45	O	Data carrier detection		
<b>Debug UART port</b>					
PIN NAME	PIN NO.	I/O	DESCRIPTION	DC CHARACTERISTICS	COMMENT
DBG_TXD	42	O	UART interface for debugging only.	VILmin=-0.3V VILmax= 0.25*VDD_EXT VIHmin= 0.75*VDD_EXT VIHmax= VDD_EXT+0.3 VOHmin= 0.85*VDD_EXT VOLmax= 0.15*VDD_EXT	If unused, keep these pins open.
DBG_RXD	43	I			
<b>Auxiliary UART port</b>					
PIN NAME	PIN NO.	I/O	DESCRIPTION	DC CHARACTERISTICS	COMMENT
TXD_AUX	40	O	Transmit data	VILmin=-0.3V VILmax=0.25*VDD_EXT VIHmin=0.75*VDD_EXT VIHmax=VDD_EXT+0.3 VOHmin=0.85*VDD_EXT	If unused, keep these pins open.
RXD_AUX	41	I	Receive data		

				VOLmax=0.15*VDD_EXT	
SIM1 interface					
PIN NAME	PIN NO.	I/O	DESCRIPTION	DC CHARACTERISTICS	COMMENT
SIM1_VDD	56	O	Power supply for SIM card	The voltage can be selected by software automatically. Either 1.8V or 3V.	All signals of SIM interface should be protected against ESD with a TVS diode array. Maximum cable length is 200mm from the module pad to SIM card holder.
SIM1_DATA	54	I/O	SIM data	3V: VOLmax=0.4 VOHmin= SIM1_VDD-0.4 1.8V: VOLmax= 0.15*SIM1_VDD VOHmin= SIM1_VDD-0.4	
SIM1_CLK	55	O	SIM clock	3V: VOLmax=0.4 VOHmin= 0.9*SIM1_VDD 1.8V: VOLmax= 0.12*SIM1_VDD VOHmin= 0.9*SIM1_VDD	
SIM1_RST	53	O	SIM reset	3V: VOLmax=0.36 VOHmin= 0.9*SIM1_VDD 1.8V: VOLmax= 0.2*SIM1_VDD VOHmin= 0.9*SIM1_VDD	
SIM1_GND	52		SIM ground		
SIM_PRES ENCE	57	I	SIM card detection	VILmin=-0.3V VILmax= 0.25*VDD_EXT VIHmin= 0.75*VDD_EXT VIHmax=	If unused, keep these pins open.

				VDD_EXT+0.3	
SIM2 interface					
PIN NAME	PIN NO.	I/O	DESCRIPTION	DC CHARACTERISTICS	COMMENT
SIM2_VDD	107	O	Power supply for SIM card	The voltage can be selected by software automatically. Either 1.8V or 3V.	Not supported at present.
SIM2_DATA	109	I/O	SIM data	3V: VOLmax=0.4 VOHmin= SIM1_VDD-0.4 1.8V: VOLmax= 0.15*SIM1_VDD VOHmin= SIM1_VDD-0.4	
SIM2_CLK	108	O	SIM clock	3V: VOLmax=0.4 VOHmin= 0.9*SIM1_VDD 1.8V: VOLmax= 0.12*SIM1_VDD VOHmin= 0.9*SIM1_VDD	
SIM2_RST	95	O	SIM reset	3V: VOLmax=0.36 VOHmin= 0.9*SIM1_VDD 1.8V: VOLmax= 0.2*SIM1_VDD VOHmin= 0.9*SIM1_VDD	
ADC					
PIN NAME	PIN NO.	I/O	DESCRIPTION	DC CHARACTERISTICS	COMMENT
ADC0	2	I	General purpose analog to digital converter.	Voltage range: 0V to 2.8V	If unused, keep these pins open.
ADC1	1	I	General purpose analog to digital	Voltage range: 0V to 2.8V	If unused, keep these pins open.

			converter.		
<b>PCM</b>					
PIN NAME	PIN NO.	I/O	DESCRIPTION	DC CHARACTERISTICS	COMMENT
PCM_CLK	19	O	PCM clock	VILmin=-0.3V VILmax= 0.25*VDD_EXT VIHmin= 0.75*VDD_EXT VIHmax= VDD_EXT+0.3 VOHmin= 0.85*VDD_EXT VOLmax= 0.15*VDD_EXT	Not supported at present.
PCM_IN	18	I	PCM data input		
PCM_OUT	20	O	PCM data output		
PCM_SYNC	21	O	PCM frame synchronization		
<b>USB interface</b>					
PIN NAME	PIN NO.	I/O	DESCRIPTION	DC CHARACTERISTICS	COMMENT
USB_DM USB_DP	22, 23	I/O	Differential data	Comply with USB 1.1 specification	
<b>SD card</b>					
PIN NAME	PIN NO.	I/O	DESCRIPTION	DC CHARACTERISTICS	COMMENT
SD_CMD	34	O	SD command	VILmin=-0.3V VILmax= 0.25*VDD_EXT VIHmin= 0.75*VDD_EXT VIHmax= VDD_EXT+0.3 VOHmin= 0.85*VDD_EXT VOLmax= 0.15*VDD_EXT	Not supported at present.
SD_CLK	35	O	SD clock		
SD_DATA0	36	I/O	SD data		
<b>Camera interface</b>					
PIN NAME	PIN NO.	I/O	DESCRIPTION	DC CHARACTERISTICS	COMMENT
CS_D0	78	I	Camera parallel data	VILmin=-0.3V VILmax= 0.25*VDD_EXT VIHmin= 0.75*VDD_EXT VIHmax=	Not supported at present.
CS_D1	84	I			
CS_D2	96	I			
CS_D3	77	I			
CS_D4	80	I			
CS_D5	82	I			

CS_D6	100	I		VDD_EXT+0.3 VOHmin= 0.85*VDD_EXT VOLmax= 0.15*VDD_EXT	
CS_D7	81	I			
CS_VSYNC	79	I	Camera frame synchronization		
CS_HSYNC	98	I	Camera horizontal synchronization		
CS_RST	101	O	Camera reset		
CS_MCLK	97	O	Camera clock		
CS_PCLK	99	I	Camera pixel clock		
CS_PWDN	83	O	Camera power down		
VCAMD	58	O	Camera digital power		
VCAMA	105	O	Camera analog power		
<b>RF interface</b>					
PIN NAME	PIN NO.	I/O	DESCRIPTION	DC CHARACTERISTICS	COMMENT
RF_ANT	63	I/O	RF antenna pad	Impedance of 50Ω	
<b>Other interface</b>					
PIN NAME	PIN NO.	I/O	DESCRIPTION	DC CHARACTERISTICS	COMMENT
DOWNLOAD	3	I	Pull down when download software using USB	VILmin=-0.3V VILmax= 0.25*VDD_EXT VIHmin= 0.75*VDD_EXT VIHmax= VDD_EXT+0.3	The only function of this pin is USB downloading.
RESERVED	24, 25, 26, 27, 28, 29, 30, 31, 32, 33, 38, 39, 44, 75, 76, 85, 86,				Keep these pins open.

	87, 88, 89, 90, 91, 92, 102, 103, 104, 106, 110				
--	---	--	--	--	--

Quectel  
Confidential

### 3.2. Operating modes

The table below briefly summarizes the various operating modes in the following chapters.

**Table 7: Overview of operating modes**

Mode	Function
Normal operation	GSM/GPRS SLEEP The module will automatically go into SLEEP mode if DTR is set to high level and there is no interrupt (such as GPIO interrupt or data on UART port). In this case, the current consumption of module will reduce to the minimal level. During SLEEP mode, the module can still receive paging message and SMS from the system normally.
	GSM IDLE Software is active. The module has registered to the GSM network, and the module is ready to send and receive GSM data.
	GSM TALK GSM connection is going. In this mode, the power consumption is decided by the configuration of Power Control Level (PCL), dynamic DTX control and the working RF band.
	GPRS IDLE The module is not registered to GPRS network. The module is not reachable through GPRS channel.
	GPRS STANDBY The module is registered to GPRS network, but no GPRS PDP context is active. The SGSN knows the Routing Area where the module is located at.
	GPRS READY The PDP context is active, but no data transfer is going on. The module is ready to receive or send GPRS data. The SGSN knows the cell where the module is located at.
	GPRS DATA There is GPRS data in transfer. In this mode, power consumption is decided by the PCL, working RF band and GPRS multi-slot configuration.
POWER DOWN	Normal shutdown by sending the “AT+QPOWD=1” command, using the PWRKEY or the EMERG_OFF <sup>1)</sup> pin. The power management ASIC disconnects the power supply from the base band part of the module, and only the power supply for the RTC is remained. Software is not active. The UART interfaces are not accessible. Operating voltage (connected to VBAT) remains applied.
Minimum functionality mode (without removing power supply)	“AT+CFUN” command can set the module to a minimum functionality mode without removing the power supply. In this case, the RF part of the module will not work or the SIM card will not be accessible, or both RF part and SIM card will be disabled all, but the UART port is still accessible. The power consumption in this case is very low.

1) Use the EMERG\_OFF pin only while failing to turn off the module by the command “AT+QPOWD=1” and the PWRKEY pin. Please refer to Section 3.4.2.2.

### 3.3. Power supply

#### 3.3.1. Feature of GSM power

The unit of GSM transmit in the wireless path is pulse string which is constructed by GSMK bit string and we call it burst. The period of burst is 4.16ms and the last time of burst is 577us. The burst current will reach 1.6A while idle current is as low as tens of milliampere. This sudden change of current will produce large ripple of VBAT or pull the VBAT down to 3.3V, while the module will shut down when VBAT drops to 3.3V. Due to these features, the power design for the module is crucial.

The following figure is the VBAT voltage and current ripple at the maximum power transmitting phase, the test condition is VBAT=4.0V, VBAT maximum output current =2A, C1=100μF tantalum capacitor (ESR=0.7Ω) and C2=1μF.

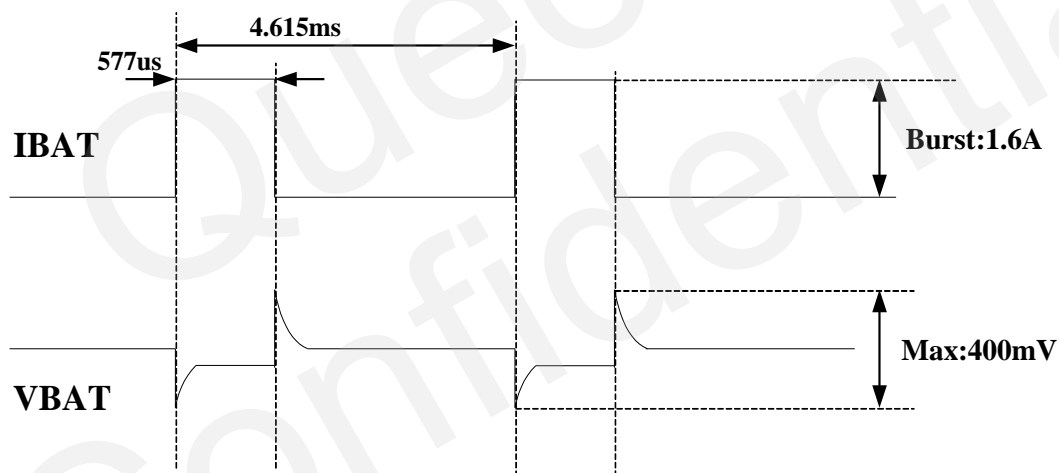


Figure 3: Ripple in supply voltage during transmitting burst

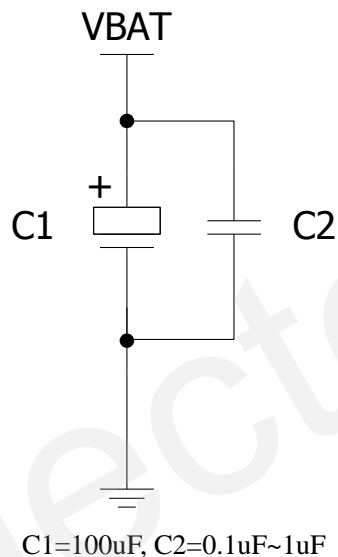
#### 3.3.2. Minimize supply voltage drop

The power supply of the module is from a single voltage source of VBAT= 3.3V~4.6V. The GSM transmitting burst can cause obvious voltage drop at the supply voltage thus the power supply must be carefully designed and is capable of providing sufficient current up to 2A. For the VBAT input, a bypass capacitor of about 100 μF with low ESR is recommended. Multi-layer ceramic chip (MLCC) capacitor can provide the best combination of low ESR but small size may not be economical. A lower cost choice could be a 100 μF tantalum capacitor with low ESR. A small



(0.1  $\mu\text{F}$  to 1  $\mu\text{F}$ ) ceramic capacitor should be in parallel with the 100  $\mu\text{F}$  capacitor, which is illustrated in Figure 4. The capacitors should be placed close to the M80 VBAT pins.

The PCB traces from the VBAT pads to the power source must be wide enough to ensure that there isn't too much voltage drop occurring in the transmitting burst mode. The width of trace should be no less than 2mm and the principle of the VBAT trace is the longer, the wider. The VBAT voltage can be measured by oscilloscope.



**Figure 4: Reference circuit of the VBAT input**

### 3.3.3. Reference power design for module

The power design for the module is very important and the circuit design of the power supply for the module largely depends on the power source. Figure 5 shows a reference design of +5V input power source. The part number of this LDO IC is MIC29302WU. The designed output for the power supply is 4.16V and the maximum load current is 3A, in order to prevent outputting abnormal voltage, a zener voltage regulator is employed at the point of the output nearby the pin of VBAT. Some elements have to be taken into account in the component select, such as Reserve zener voltage is recommend 5.1V and the total dissipation is more than 1Watt.

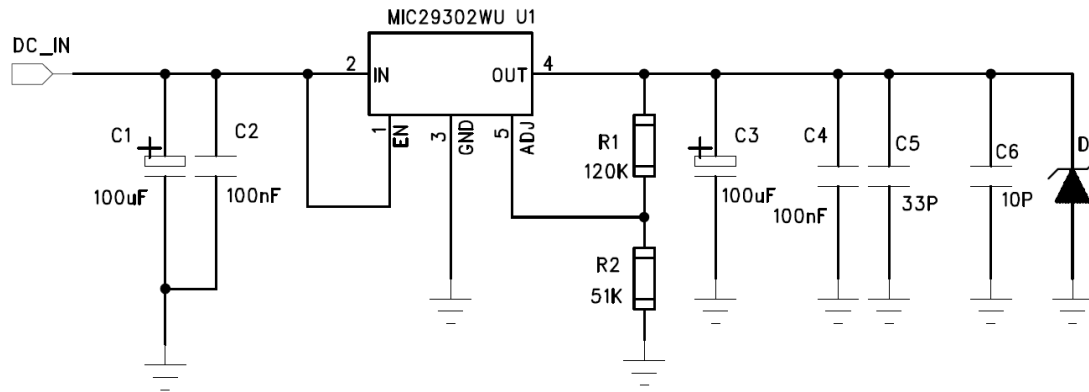


Figure 5: Reference circuit of the source power supply input

### 3.3.4. Monitor power supply

To monitor the supply voltage, you can use the “AT+CBC” command which includes three parameters: charging status, remaining battery capacity and voltage value (in mV). It returns the 0-100 percent of battery capacity and actual value measured between VBAT and GND. The voltage is automatically measured in period of 5s. The displayed voltage (in mV) is averaged over the last measuring period before the “AT+CBC” command is executed.

For details, please refer to *document [1]*.

## 3.4. Power on and power down scenarios

### 3.4.1. Power on

The module can be turned on by PWRKEY pin.

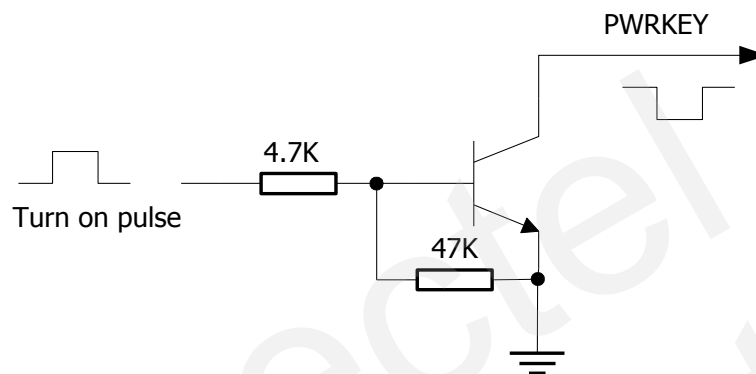
The module is set to autobauding mode (AT+IPR=0) in default configuration. In the autobauding mode, the URC “RDY” after powering on is not sent to host controller. When the module receives AT command, it will be powered on after a delay of 2 or 3 seconds. Host controller should firstly send an “AT” or “at” string in order that the module can detect baud rate of host controller, and it should send the second or the third “AT” or “at” string until receiving “OK” string from module. Then an “AT+IPR=x;&W” should be sent to set a fixed baud rate for module and save the configuration to flash memory of module. After these configurations, the URC “RDY” would be received from the UART Port of module every time when the module is powered on. Refer to section “AT+IPR” in *document [1]*.

The hardware flow control is disabled in default configuration. In the simple UART port which means that only TXD, RXD, GND of the module is connected to host. CTS is pulled down internally. In this condition, the module can transmit and receive data freely. On the other side, if RTS, CTS connect to the host together with TXD, RXD, GND, whether or not to transmit and

receive data depends on the level of RTS and CTS. Then whenever hardware flow is present or not, the URC “RDY” is sent to host controller in the fixed band rate.

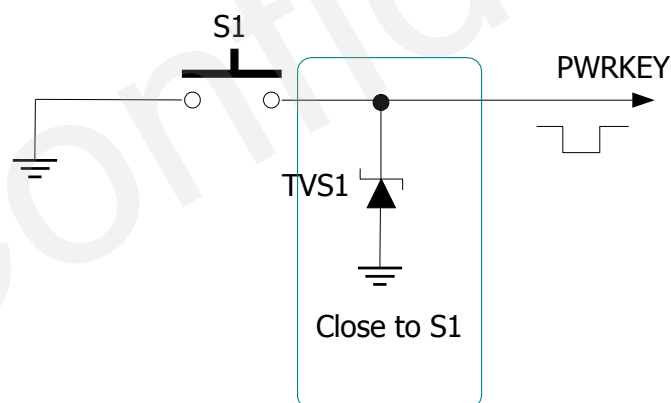
### 3.4.1.1. Power on module using the PWRKEY pin

Customer’s application can turn on the module by driving the pin PWRKEY to a low level voltage and after STATUS pin outputs a high level, PWRKEY pin can be released. Customer may monitor the level of the STATUS pin to judge whether the module is power-on or not. An open collector driver circuit is suggested to control the PWRKEY. A simple reference circuit is illustrated in Figure 6.



**Figure 6: Turn on the module using driving circuit**

The other way to control the PWRKEY is using a button directly. A TVS component is indispensable to be placed nearby the button for ESD protection. When pressing the key, electrostatic strike may generate from finger. A reference circuit is showed in Figure 7.



**Figure 7: Turn on the module using keystroke**

The power-on scenarios is illustrated as the following figure.

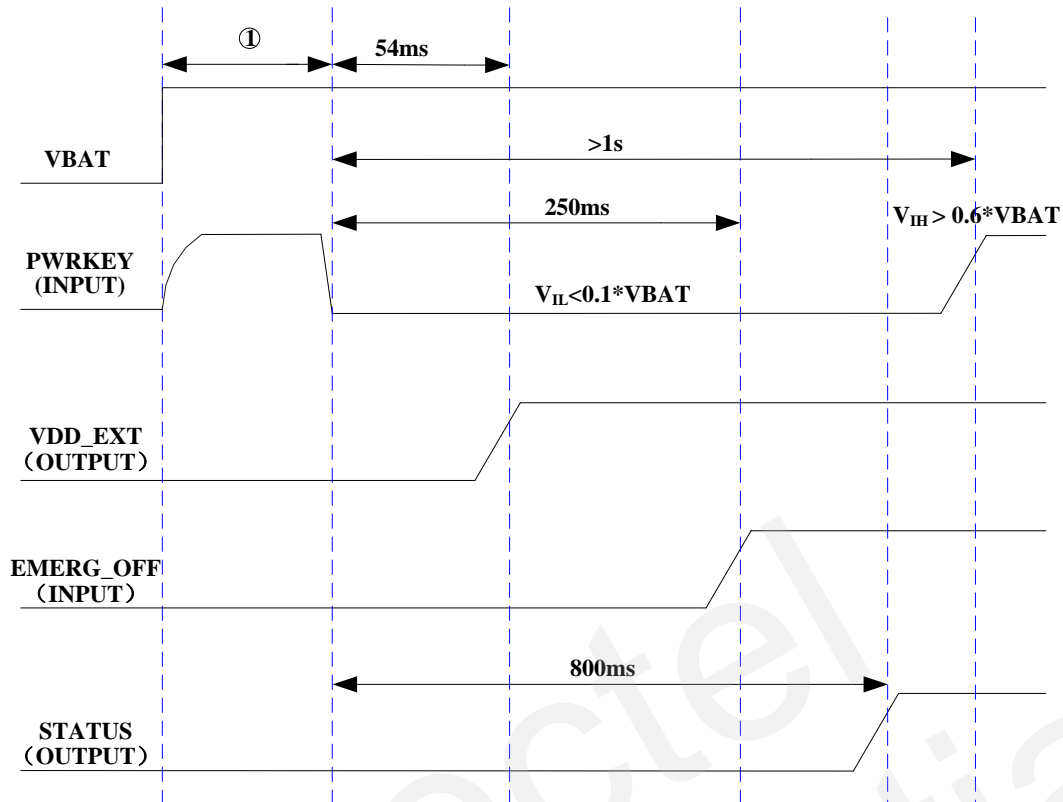


Figure 8: Timing of turning on system

- ① Make sure that VBAT is stable before pulling down PWRKEY pin. The time between them is recommended 30ms.

Note: Customer can monitor the voltage level of the STATUS pin to judge whether the module is power-on. After the STATUS pin goes to high level, PWRKEY may be released. If the STATUS pin is ignored, pull the PWRKEY pin to low level for more than 1 second to turn on the module.

### 3.4.2. Power down

The following procedures can be used to turn off the module:

- Normal power down procedure: Turn off module using the PWRKEY pin
- Normal power down procedure: Turn off module using command “AT+QPOWD”
- Over-voltage or under-voltage automatic shutdown: Take effect when over-voltage or under-voltage is detected
- Emergent power down procedure: Turn off module using the EMERG\_OFF pin
- Emergent power down procedure: Turn off module using command “AT+QPOWD”

### 3.4.2.1. Power down module using the PWRKEY pin

Customer's application can turn off the module by driving the PWRKEY to a low level voltage for certain time. The power-down scenario is illustrated in Figure 9.

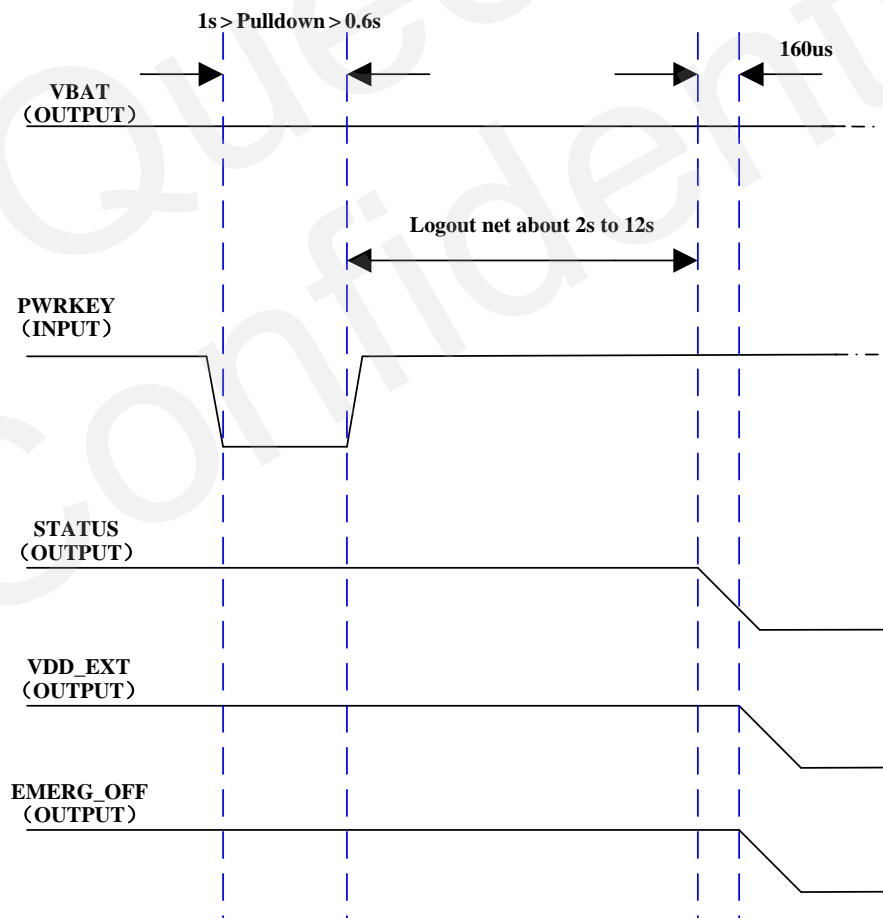
The power-down procedure causes the module to log off from the network and allows the software to save important data before completely disconnecting the power supply, thus it is a safe way.

Before the completion of the power-down procedure, the module sends out the result code shown below:

#### ***NORMAL POWER DOWN***

***Note: This result code does not appear when autobauding is active and DTE and DCE are not correctly synchronized after start-up. The module is recommended to set a fixed baud rate.***

After that moment, no further AT commands can be executed. Then the module enters the POWER DOWN mode, only the RTC is still active. The POWER DOWN mode can also be indicated by the STATUS pin, which is a low level voltage in this mode.



**Figure 9: Timing of turning off the module**

### 3.4.2.2. Power down module using AT command

Customer's application can turn off the module via AT command "AT+QPOWD=1". This command will let the module to log off from the network and allow the software to save important data before completely disconnecting the power supply, thus it is a safe way.

Before the completion of the power-down procedure the module sends out the result code shown below:

***NORMAL POWER DOWN***

After that moment, no further AT commands can be executed. And then the module enters the POWER DOWN mode, only the RTC is still active. The POWER DOWN mode can also be indicated by STATUS pin, which is a low level voltage in this mode.

Please refer to *document [1]* for detail about the AT command "AT+QPOWD".

### 3.4.2.3. Over-voltage or under-voltage automatic shutdown

The module will constantly monitor the voltage applied on the VBAT, if the voltage is  $\leq 3.5V$ , the following URC will be presented:

***UNDER\_VOLTAGE WARNING***

If the voltage is  $\geq 4.5V$ , the following URC will be presented:

***OVER\_VOLTAGE WARNING***

The uncritical voltage range is 3.3V to 4.6V. If the voltage is  $> 4.6V$  or  $< 3.3V$ , the module would automatically shutdown itself.

If the voltage is  $< 3.3V$ , the following URC will be presented:

***UNDER\_VOLTAGE POWER DOWN***

If the voltage is  $> 4.6V$ , the following URC will be presented:

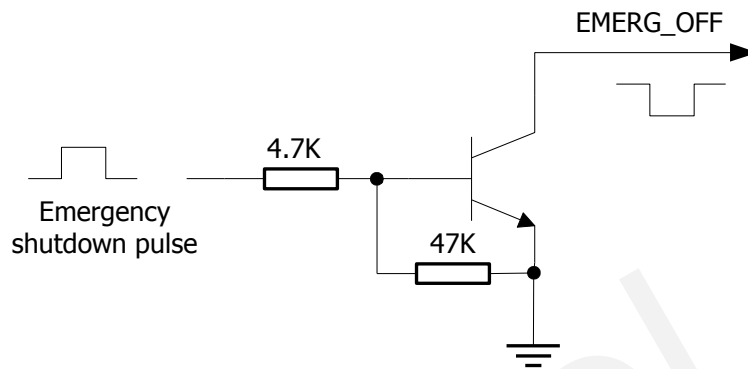
***OVER\_VOLTAGE POWER DOWN***

***Note: These result codes don't appear when autobauding is active and DTE and DCE are not correctly synchronized after start-up. The module is recommended to set to a fixed baud rate.***

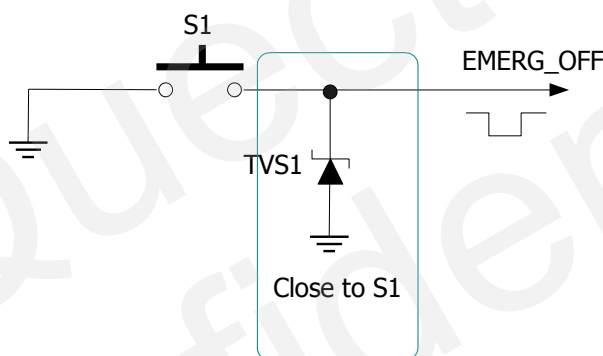
After that moment, no further AT commands can be executed. The module logs off from network and enters POWER DOWN mode, and only RTC is still active. The POWER DOWN mode can also be indicated by the pin STATUS, which is a low level voltage in this mode.

### 3.4.2.4. Emergency shutdown using EMERG\_OFF pin

The module can be shut down by driving the pin EMERG\_OFF to a low level voltage over 20ms and then releasing it. The EMERG\_OFF line can be driven by an Open Drain / Collector driver or a button. The circuit is illustrated as the following figures.



**Figure 10: Reference circuit for EMERG\_OFF by using driving circuit**



**Figure 11: Reference circuit for EMERG\_OFF by using button**

### 3.4.2.5. Emergency shutdown using AT command

Using an AT command “AT+QPOWD=1” can achieve emergency shut down of the module. In this situation, No URC returns back to the host no matter in the fixed band rate or auto band rate.

Be cautious to use the pin EMERG\_OFF. It should only be used under emergent situation. For instance, if the module is unresponsive or abnormal, the pin EMERG\_OFF could be used to shutdown the system. Although turning off the module by EMERG\_OFF is fully tested and nothing wrong detected, this operation is still a big risk as it could cause destroying of the code or data area of the NOR flash memory in the module. Therefore, it is recommended that PWRKEY or AT command should always be the preferential way to turn off the system.

### 3.4.3. Restart

#### 3.4.3.1. Restart module using the PWRKEY pin

Customer's application can restart the module by driving the PWRKEY to a low level voltage for certain time, which is similar to the way of turning on module. Before restarting the module, at least 500ms should be delayed after detecting the low level of STATUS. The restart timing is illustrated as the following figure.

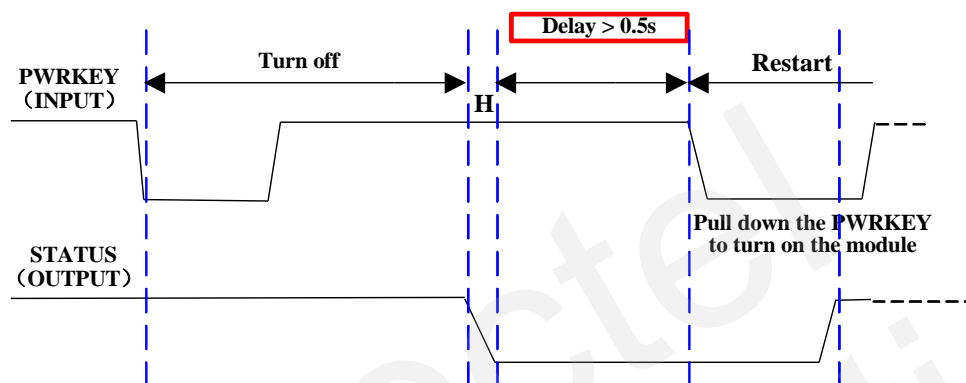


Figure 12: Timing of restarting system

The module can also be restarted by the PWRKEY after emergency shutdown.

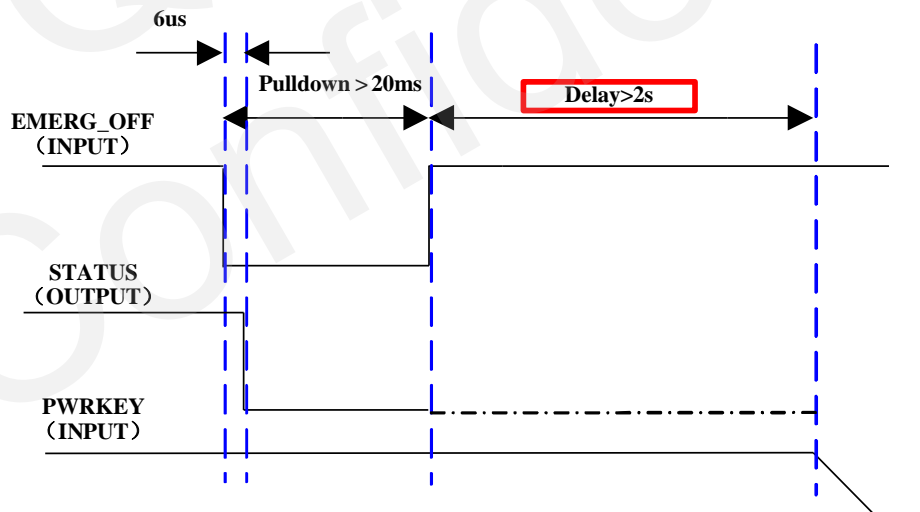


Figure 13: Timing of restarting system after emergency shutdown

#### 3.4.3.2. Restart module using AT command

Using an AT command “AT+QPOWD=2” can achieve restart of the module. Please refer to *document [1]* for detail.



### 3.5. Charging interface

Not supported at present.

### 3.6. Power saving

Upon system requirement, there are several actions to drive the module to enter low current consumption status. For example, “AT+CFUN” can be used to set module into minimum functionality mode and DTR hardware interface signal can be used to lead system to SLEEP mode.

#### 3.6.1. Minimum functionality mode

Minimum functionality mode reduces the functionality of the module to minimum level, thus minimize the current consumption when the slow clocking mode is activated at the same time. This mode is set with the “AT+CFUN” command which provides the choice of the functionality levels <fun>=0, 1, 4.

- 0: minimum functionality
- 1: full functionality (default)
- 4: disable both transmitting and receiving of RF part

If the module is set to minimum functionality by “AT+CFUN=0”, the RF function and SIM card function would be disabled. In this case, the UART port is still accessible, but all AT commands correlative with RF function or SIM card function will not be accessible.

If the module has been set by “AT+CFUN=4”, the RF function will be disabled, the UART port is still active. In this case, all AT commands correlative with RF function will not be accessible.

After the module is set by “AT+CFUN=0” or “AT+CFUN=4”, it can return to full functionality by “AT+CFUN=1”.

For detailed information about “AT+CFUN”, please refer to *document [1]*.

#### 3.6.2. SLEEP mode

The SLEEP mode is disabled in default software configuration. Customer’s application can enable this mode by “AT+QSCLK=1”. On the other hand, the default setting is “AT+QSCLK=0” and in this mode, the module can’t enter SLEEP mode.

When “AT+QSCLK=1” is sent to the module, customer’s application can control the module to enter or exit from the SLEEP mode through pin DTR. When DTR is set to high level, and there is no on-air or hardware interrupt such as GPIO interrupt or data on UART port, the module will

enter SLEEP mode automatically. In this mode, the module can still receive voice, SMS or GPRS paging from network but the UART port is not accessible.

### 3.6.3. Wake up module from SLEEP mode

When the module is in the SLEEP mode, the following methods can wake up the module.

- If the DTR Pin is set low, it would wake up the module from the SLEEP mode. The UART port will be active within 20ms after DTR is changed to low level.
- Receiving a voice or data call from network wakes up module.
- Receiving an SMS from network wakes up module.

*Note: DTR pin should be held low level during communication between the module and DTE.*

## 3.7. Summary of state transitions

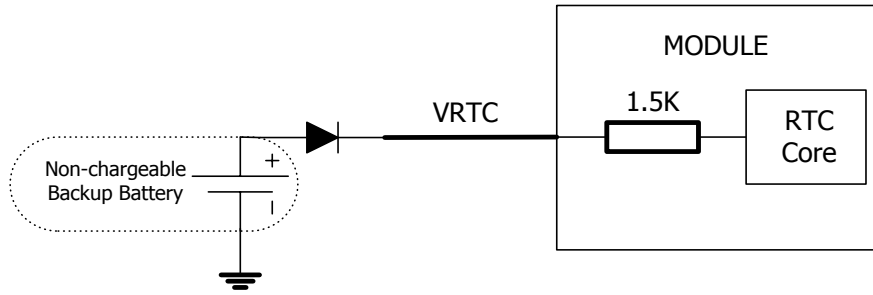
**Table 8: Summary of state transition**

Current mode	Next mode		
	Power down	Normal mode	Sleep mode
Power down		Use PWRKEY	
Normal mode	AT+QPOWD, use PWRKEY pin, or use EMERG_OFF pin		Use AT command “AT+QSCLK=1” and pull DTR up
Sleep mode	Use PWRKEY pin, or use EMERG_OFF pin	Pull DTR down or incoming call or SMS or GPRS	

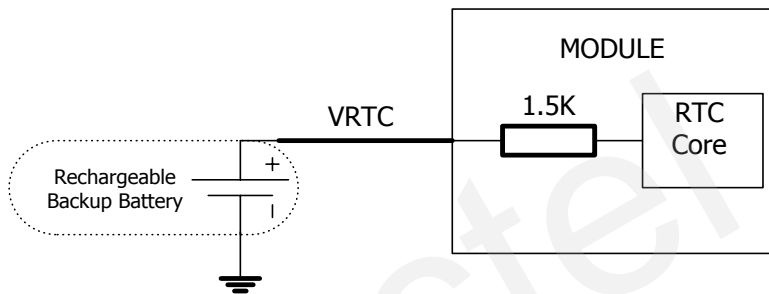
## 3.8. RTC backup

The RTC (Real Time Clock) can be supplied by an external capacitor or battery (rechargeable or non-chargeable) through the pin VRTC. A 1.5 K resistor has been integrated in the module for current limiting. A coin-cell battery or a super-cap can be used to backup power supply for RTC.

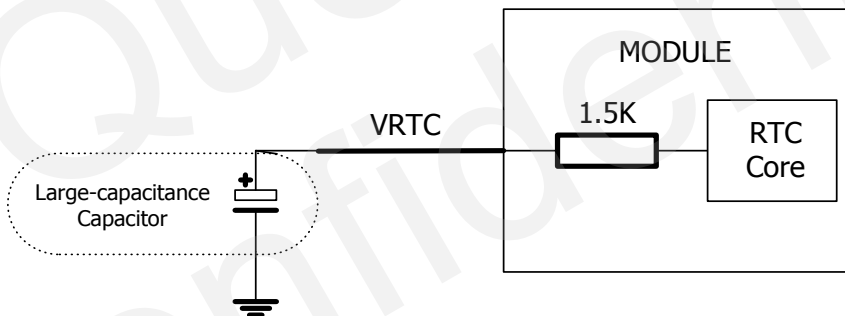
The following figures show various sample circuits for RTC backup.



**Figure 14: RTC supply from non-chargeable battery**

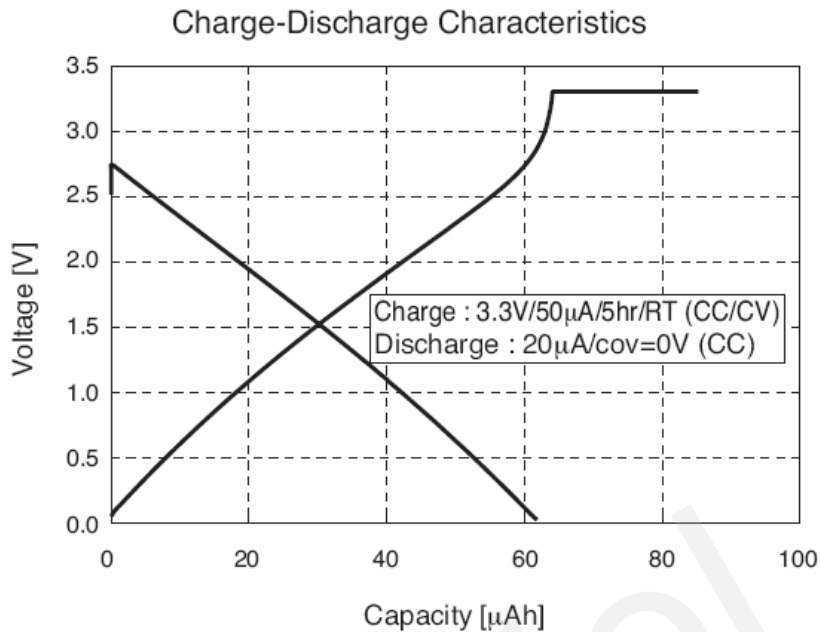


**Figure 15: RTC supply from rechargeable battery**



**Figure 16: RTC supply from capacitor**

Coin-type rechargeable capacitor such as XH414H-IV01E from Seiko can be used.



**Figure 17: Seiko XH414H-IV01E Charge Characteristics**

### 3.9. Serial interfaces

The module provides three serial ports: UART, Debug Port and Auxiliary UART Port. The module is designed as a DCE (Data Communication Equipment), following the traditional DCE-DTE (Data Terminal Equipment) connection. Autobauding function supports baud rate from 4800bps to 115200bps.

The UART Port:

- TXD: Send data to RXD of DTE
- RXD: Receive data from TXD of DTE
- RTS: Requests to send
- CTS: Clear to send
- DTR: DTE is ready and inform DCE (this pin can wake the module up)
- RI: Ring indicator (when the call, SMS, data of the module are coming, the module will output signal to inform DTE)
- DCD: Data carrier detection (the valid of this pin demonstrates the communication link is set up)

*The module disables hardware flow control in default. When hardware flow control is required, RTS and CTS should be connected to the host. AT command "AT+IFC=2,2" is used to enable hardware flow control. AT command "AT+IFC=0,0" is used to disable the hardware flow control. For more details, please refer to document [1].*

The Debug Port

- DBG\_TXD: Send data to the COM port of a debugging computer
- DBG\_RXD: Receive data from the COM port of a debugging computer

### The Auxiliary UART Port

- TXD\_AUX: Send data to the RXD of DTE
- RXD\_AUX: Receive data from the TXD of DTE

The logic levels are described in the following table.

**Table 9: Logic levels of the UART interface**

Parameter	Min	Max	Unit
V <sub>IL</sub>	-0.3	0.25*VDD_EXT	V
V <sub>IH</sub>	0.75*VDD_EXT	VDD_EXT +0.3	V
V <sub>OL</sub>		0.15*VDD_EXT	V
V <sub>OH</sub>	0.85*VDD_EXT		V

**Table 10: Pin definition of the UART interfaces**

Interface	Name	Pin	Function
Debug Port	DBG_RXD	43	Receive data of the debug port
	DBG_TXD	42	Transmit data of the debug port
UART Port	RI	46	Ring indicator
	RTS	51	Request to send
	CTS	48	Clear to send
	RXD	50	Receive data of the UART port
	TXD	49	Transmit data of the UART port
	DTR	47	Data terminal ready
	DCD	45	Data carrier detection
Auxiliary UART Port	RXD_AUX	41	Receive data of the Auxiliary UART
	TXD_AUX	40	Transmit data of the Auxiliary UART

## 3.9.1. UART Port

### 3.9.1.1 The features of UART Port.

- Seven lines on UART interface
- Contain data lines TXD and RXD, hardware flow control lines RTS and CTS, other control lines DTR, DCD and RI
- Used for AT command, GPRS data, CSD FAX, etc. Multiplexing function is supported on the UART Port. So far only the basic mode of multiplexing is available.
- Support the communication baud rates as the following:  
300,600,1200,2400,4800,9600,14400,19200,28800,38400,57600,115200.
- The default setting is autobauding mode. Support the following baud rates for Autobauding function:

4800, 9600, 19200, 38400, 57600, 115200.

After setting a fixed baud rate or Autobauding, please send “AT” string at that rate. The UART port is ready when it responds “OK”.

Autobauding allows the module to detect the baud rate by receiving the string “AT” or “at” from the host or PC automatically, which gives module flexibility without considering which baud rate is used by the host controller. Autobauding is enabled in default. To take advantage of the autobauding mode, special attention should be paid according to the following requirements:

#### **Synchronization between DTE and DCE:**

When DCE (the module) powers on with the autobauding enabled, it is recommended to wait 2 to 3 seconds before sending the first AT character. After receiving the “OK” response, DTE and DCE are correctly synchronized.

If the host controller needs URC in the mode of autobauding, it must be synchronized firstly. Otherwise the URC will be discarded.

#### **Restrictions on autobauding operation**

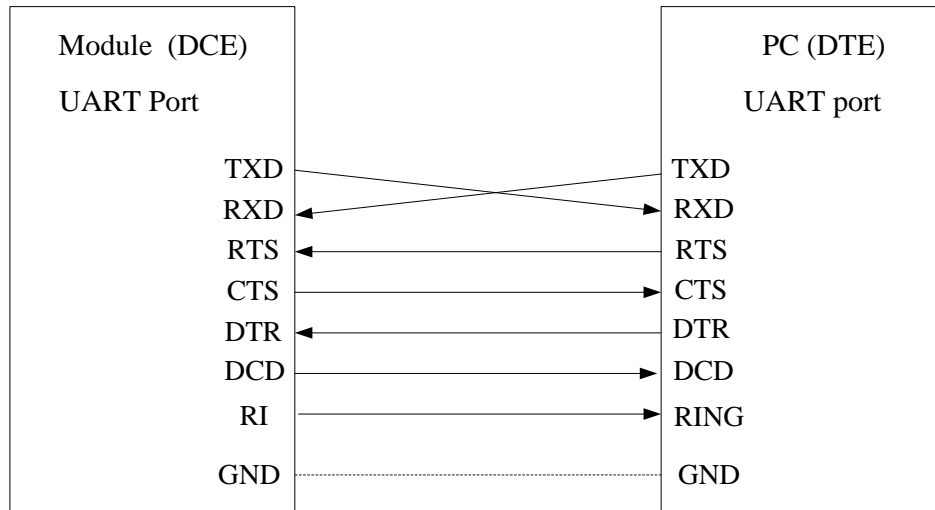
- The UART port has to be operated at 8 data bits, no parity and 1 stop bit (factory setting).
- The A/ and a/ commands can't be used.
- Only the strings “AT” or “at” can be detected (neither “At” nor “aT”).
- The Unsolicited Result Codes like "RDY", "+CFUN: 1" and "+CPIN: READY" will not be indicated when the module is turned on with autobauding enabled and not be synchronized.
- Any other Unsolicited Result Codes will be sent at the previous baud rate before the module detects the new baud rate by receiving the first “AT” or “at” string. The DTE may receive unknown characters after switching to new baud rate.
- It is not recommended to switch to autobauding from a fixed baud rate.
- If autobauding is active it is not recommended to switch to multiplex mode

*Note: To assure reliable communication and avoid any problems caused by undetermined baud rate between DCE and DTE, it is strongly recommended to configure a fixed baud rate and save it instead of using autobauding after start-up. For more details, please refer to Section “AT+IPR” in document [1].*

#### **3.9.1.2. The connection of UART**

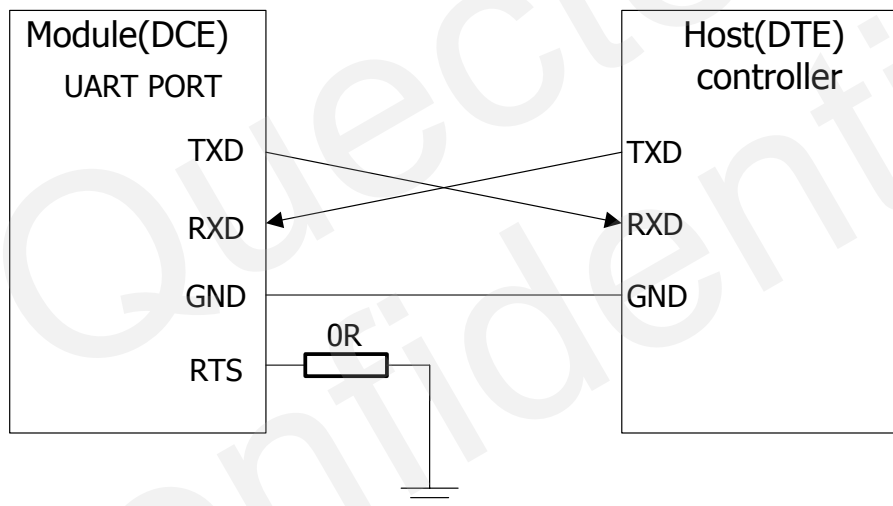
The connection between module and host using UART port is very flexible. Three connection styles are illustrated as below.

UART Port connection is shown as below when it is applied in modulation-demodulation.



**Figure 18: Connection of all functional UART port**

Three lines connection is shown as below.



**Figure 19: Connection of three lines UART port**

UART Port with hardware flow control is shown as below. This connection will enhance the reliability of the mass data communication.

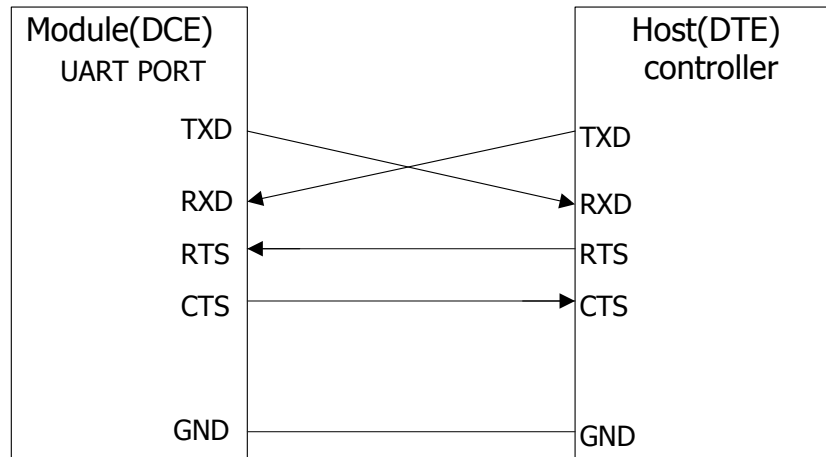


Figure 20: Connection of UART port associated hardware flow control

### 3.9.1.3. Software upgrade

The TXD, RXD can be used to upgrade software. The PWRKEY pin must be pulled down before the software upgrade. Please refer to the following figures for software upgrade.

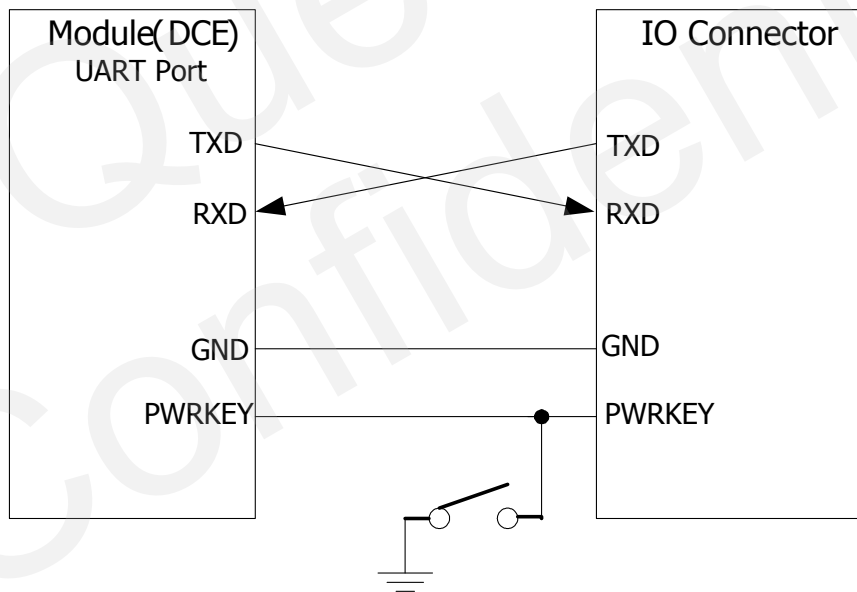


Figure 21: Connection of software upgrade



### 3.9.2. Debug Port

#### Debug Port

- Two lines: DBG\_TXD and DBG\_RXD
- It outputs log information automatically.
- Debug Port is only used for software debugging and its baud rate must be configured as 460800bps.

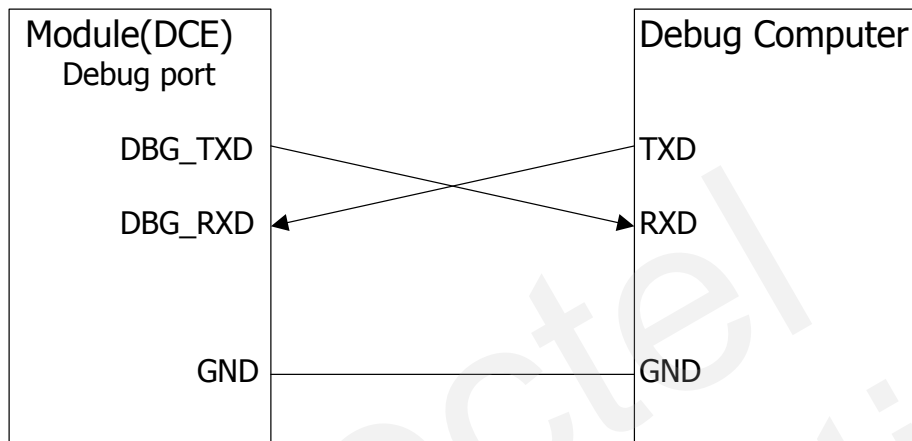


Figure 22: Connection of software debug

### 3.9.3. Auxiliary UART Port

#### Auxiliary UART Port

- Two data lines: TXD\_AUX and RXD\_AUX
- Auxiliary UART port is used for AT command only and doesn't support GPRS data, CSD FAX, Multiplexing function etc.
- Support the communication baud rates as the following:  
4800, 9600, 14400, 19200, 28800, 38400, 57600, 115200.
- The default baud rate setting is 115200bps, and doesn't support autobauding. The baud rate can be modified by AT+QSEDCB command. For more details, please refer to *document [1]*.

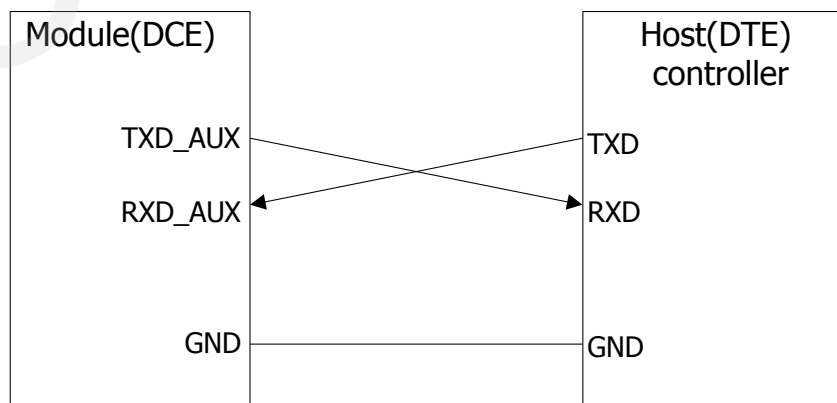
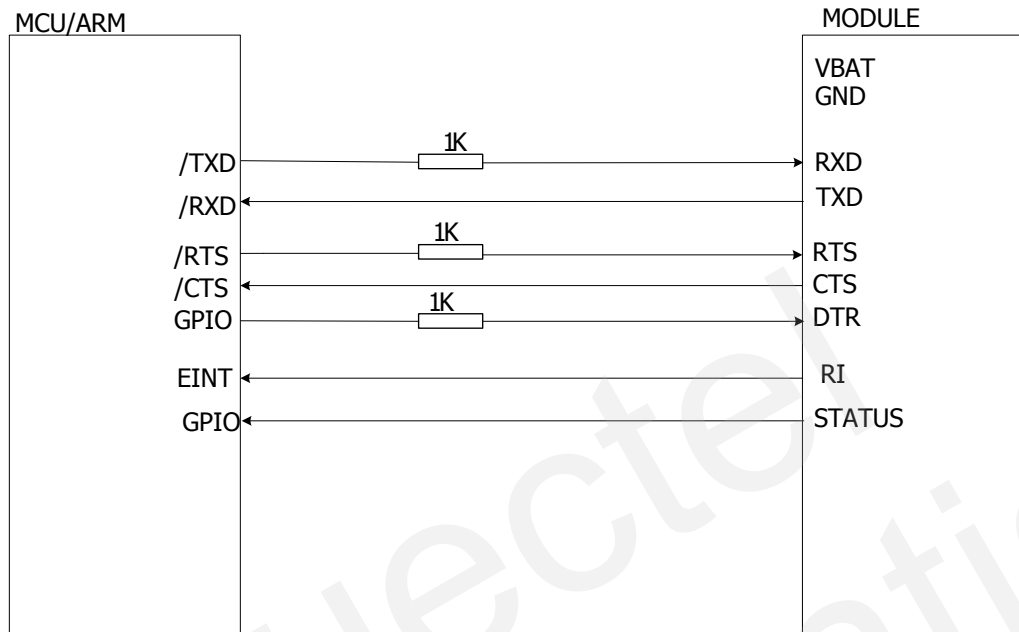


Figure 23: Connection of Auxiliary UART port

### 3.9.4. UART Application

The reference design of 3.3V level match is shown as below. 1K resistors among the following diagram are used to decrease the output voltage of MCU/ARM.

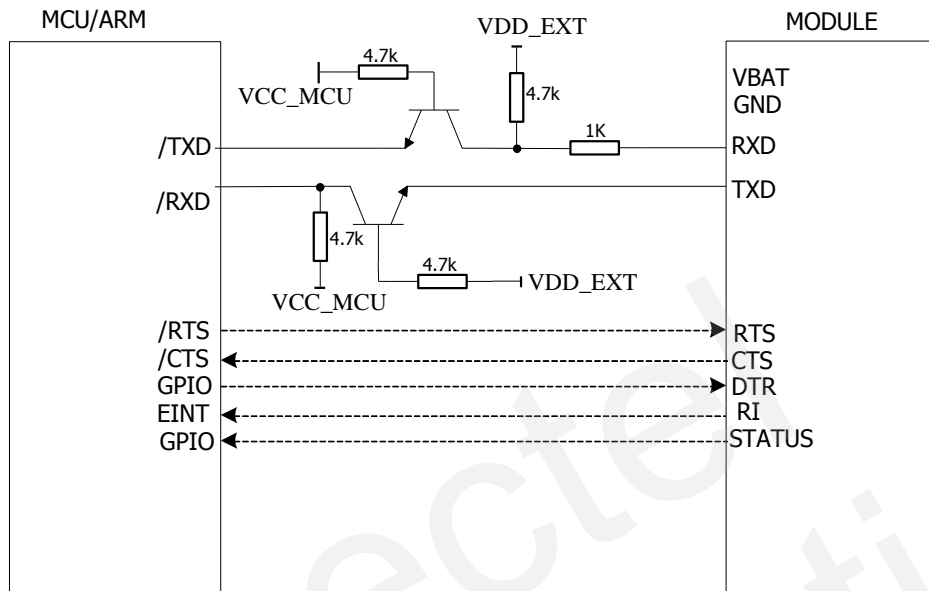


voltage level: 3.3V

**Figure 24: 3.3V level match circuit**

*Note: The above reference design is also suitable for 3V system.*

The reference design of 5V level match is shown as below. The construction of dotted line can refer to the construction of solid line. Please pay attention to direction of connection. Input dotted line of module should refer to input solid line of the module. Output dotted line of module should refer to output solid line of the module.



voltage level: 5V

**Figure 25: 5V level match circuit**

The following picture is an example of connection between module and PC. A RS\_232 level shifter IC or circuit must be inserted between module and PC, since these three UART ports don't support the RS\_232 level, while support the CMOS level only.

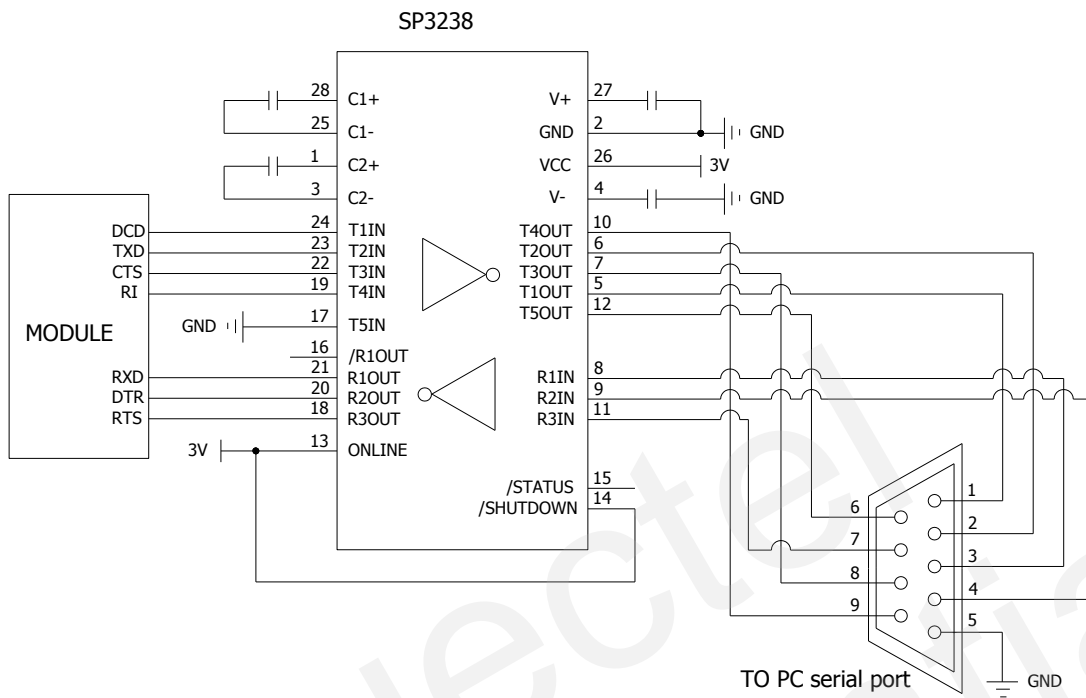


Figure 26: RS232 level match circuit

### 3.10. Audio interfaces

The module provides two analogy input channels and three analogy output channels.

**Table 11: Pin definition of Audio interface**

Interface	Name	Pin	Function
AIN1/AOUT1	MIC1P	9	Channel one of Microphone positive input
	MIC1N	10	Channel one of Microphone negative input
	SPK1P	12	Channel one of Audio positive output
	SPK1N	11	Channel one of Audio negative output
AIN2/AOUT2	MIC2P	7	Channel two of Microphone positive input
	MIC2N	8	Channel two of Microphone negative input
	SPK2P	5	Channel two of Audio positive output
	AGND	6	Cooperate with SPK2P
AIN2/AOUT3	LOUDSPKP	14	Channel three of Audio positive output
	LOUDSPKN	13	Channel three of Audio negative output

AIN1 and AIN2 can be used for input of microphone and line. An electret microphone is usually used. AIN1 and AIN2 are both differential input channels.

AOUT1 is used for output of the receiver and speaker. This channel is typically used for a receiver built into a handset. AOUT1 channel is a differential channel. It only supports voice path. If it is used as a speaker, an amplifier should be employed.

AOUT2 is used for output of earphone and speaker. This channel is typically used with earphone. AOUT2 is a single-ended channel. SPK2P and AGND can establish a pseudo differential mode. If customer needs to play Melody or Midi ring tone for incoming call, AOUT2 Channel should always be used. If it is used as a speaker, an amplifier should be employed also.

AOUT3 is used for loud speaker output as it embedded an amplifier of class AB whose maximum drive power is 800mW. AOUT3 is a differential channel. Immediately Playing Melody or Midi ring tone for incoming call is available in AOUT3.

These three audio channels can be swapped by “AT+QAUDCH” command. For more details, please refer to *document [1]*.

Use AT command “AT+QAUDCH” to select audio channel:

- 0--AIN1/AOUT1, the default value is 0.
- 1--AIN2/AOUT2
- 2--AIN2/AOUT3

For each channel, customer can use AT+QMIC to adjust the input gain level of microphone. Customer can also use “AT+CLVL” to adjust the output gain level of receiver and speaker. “AT+QECHO” is used to set the parameters for echo cancellation control. “AT+QSIDET” is used to set the side-tone gain level. For more details, please refer to *document [1]*.

**Table 12: AOUT3 output characteristics**

Item	Condition	min	type	max	unit
RMS power	8ohm load VBAT=4.3v THD+N=1%		800		mW
	8ohm load VBAT=3.7v THD+N=1%		700		mW
	8ohm load VBAT=3.2v THD+N=1%		500		mW
Gain adjustment range		0		18	dB
Gain adjustment steps			3		dB

### 3.10.1. Decrease TDD noise and other noise

The 33pF capacitor is applied for filtering out 900MHz RF interference when the module is transmitting at GSM900MHz. Without placing this capacitor, TDD noise could be heard. Moreover, the 10pF capacitor here is for filtering out 1800MHz RF interference. However, the resonant frequency point of a capacitor largely depends on the material and production technique. Therefore, customer would have to discuss with its capacitor vendor to choose the most suitable capacitor for filtering out GSM850MHz, GSM900MHz, DCS1800MHz and PCS1900MHz separately.

The severity degree of the RF interference in the voice channel during GSM transmitting period largely depends on the application design. In some cases, GSM900 TDD noise is more severe; while in other cases, DCS1800 TDD noise is more obvious. Therefore, customer can have a choice based on test results. Sometimes, even no RF filtering capacitor is required.

The capacitor which is used for filtering out RF noise should be close to RJ11 or other audio interfaces. Audio alignment should be as short as possible.

In order to decrease radio or other signal interference, the position of RF antenna should be kept away from audio interface and audio alignment. Power alignment and audio alignment should not be parallel, and power alignment should be far away from audio alignment.

The differential audio traces have to be placed according to the differential signal layout rule.

### 3.10.2. Microphone interfaces design

AIN1/IN2 channels come with internal bias supply for external electret microphone. A reference circuit is shown in Figure 27.

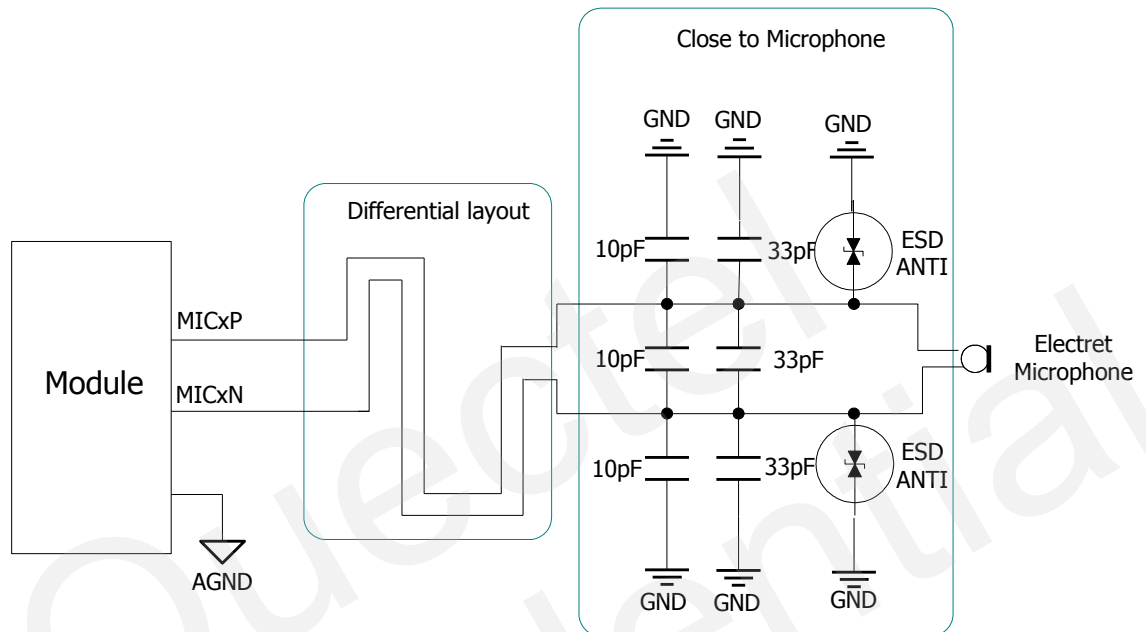


Figure 27: Microphone interface design of AIN1&AIN2

3.10.3. Receiver and speaker interface design

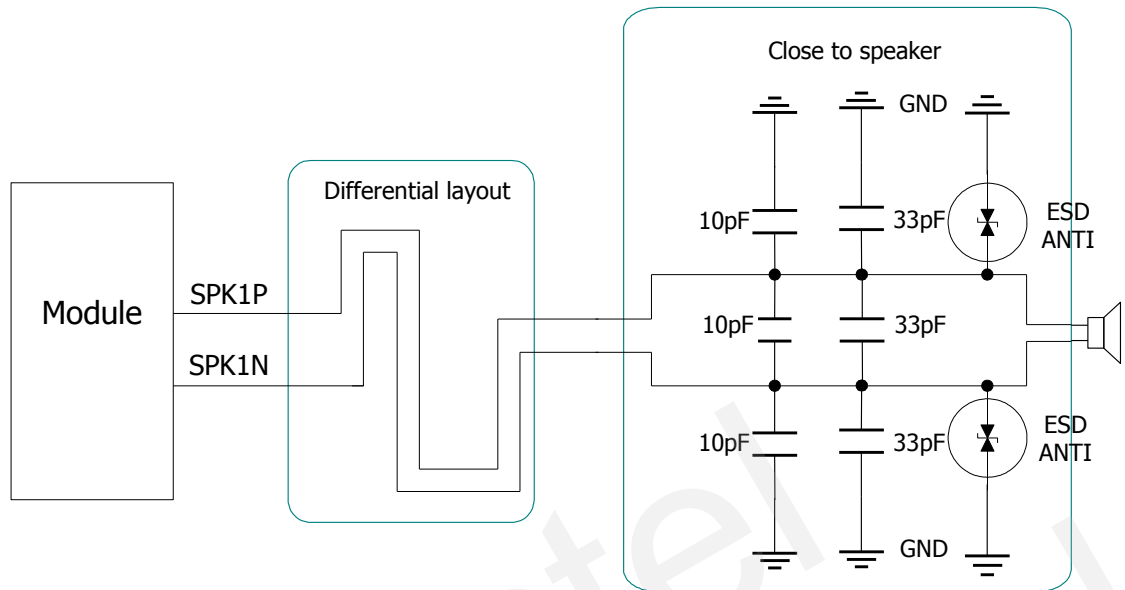


Figure 28: Receiver interface design of AOUT1

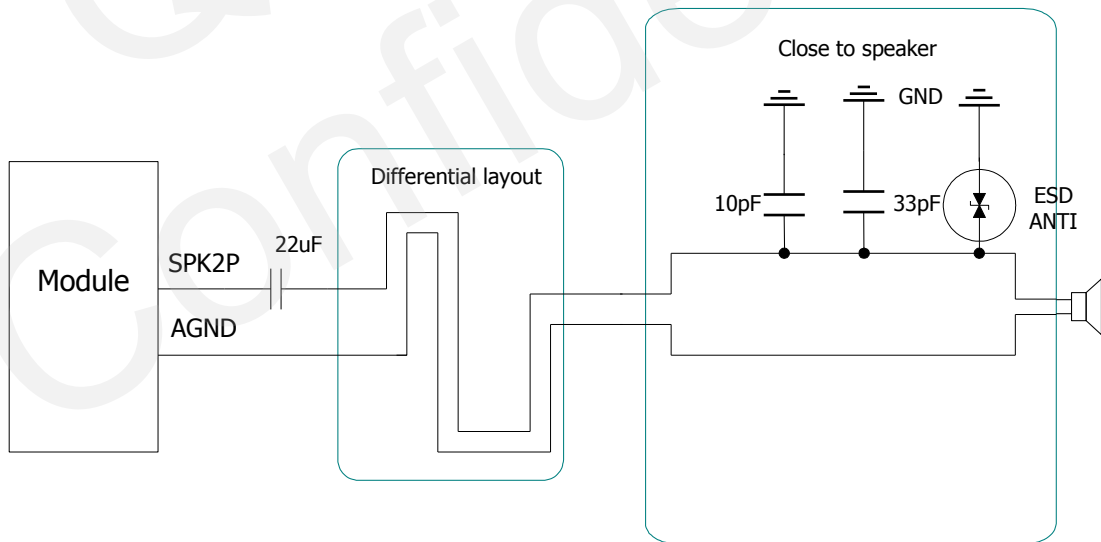
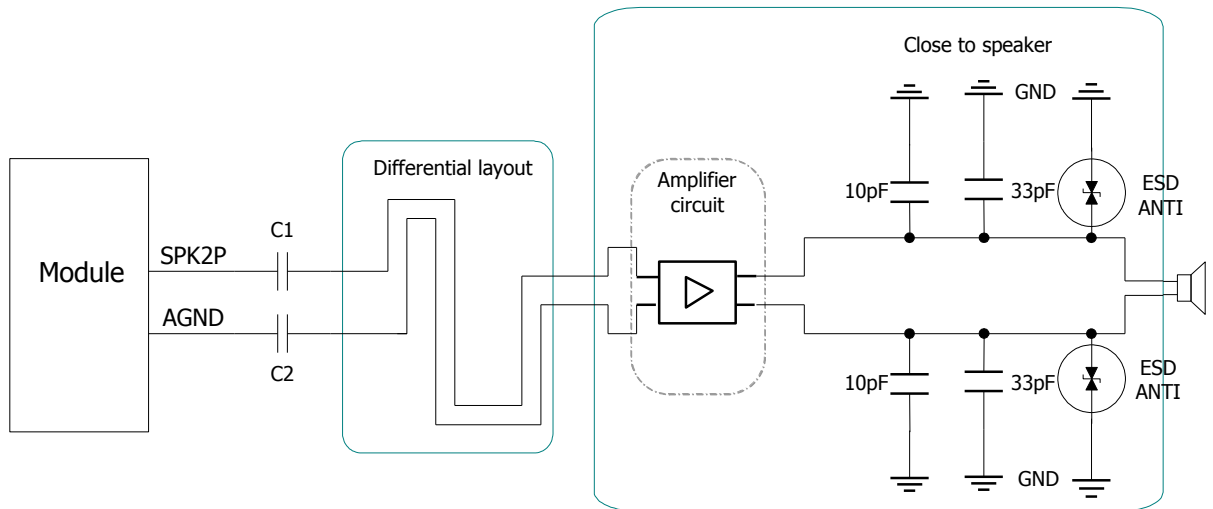


Figure 29: Handset interface design of AOUT2



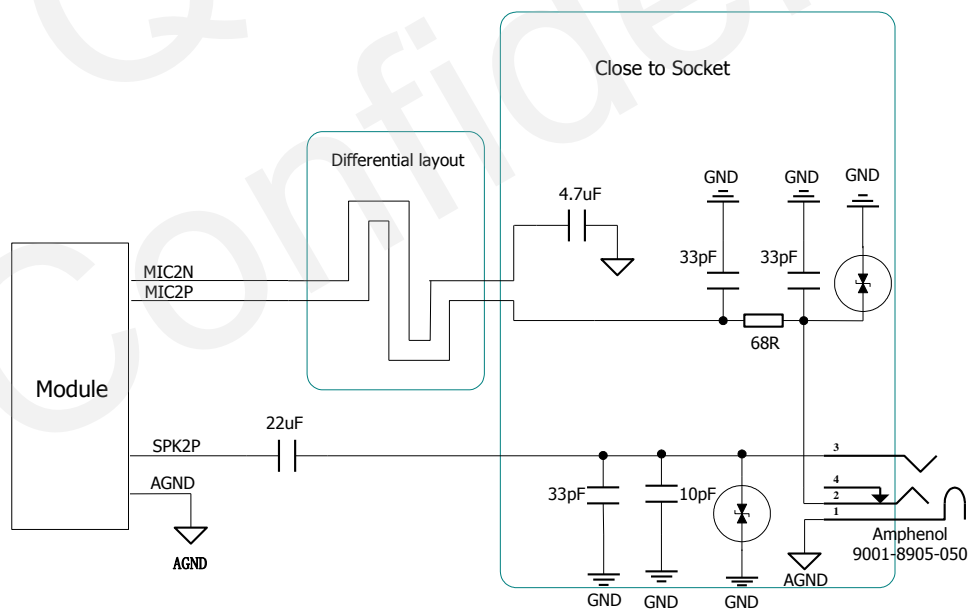


**Figure 30: Speaker interface with amplifier design of AOUT2**

Texas Instrument’s TPA6205A1 is recommended for a suitable differential audio amplifier. There are plenty of excellent audio amplifiers in the market.

*Note: The value of C1 and C2 depends on the input impedance of audio amplifier.*

### 3.10.4. Earphone interface design



**Figure 31: Earphone interface design**

3.10.5. Loud speaker interface design

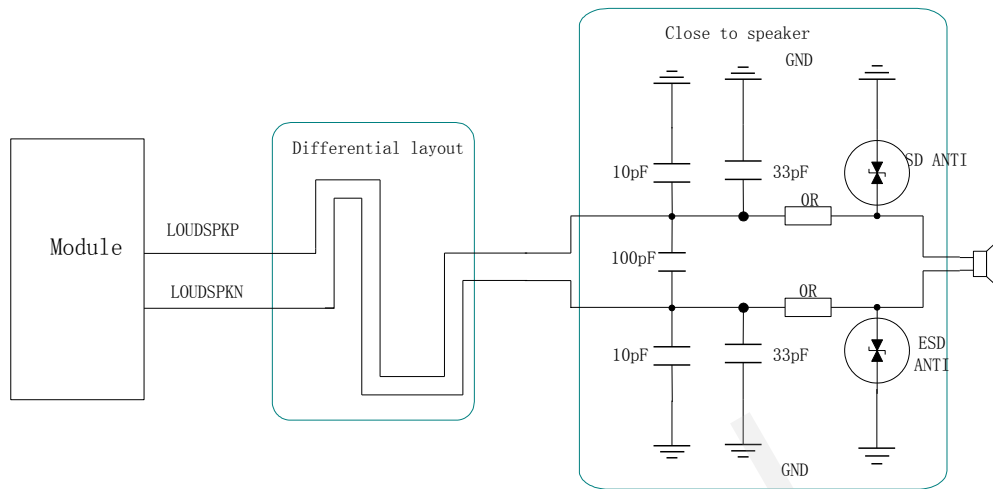


Figure 32: Loud speaker interface design

### 3.10.6. Audio characteristics

**Table 13: Typical electret microphone characteristics**

Parameter	Min	Typ	Max	Unit
Working Voltage	1.2	1.5	2.0	V
Working Current	200		500	uA
External Microphone Load Resistance		2.2		k Ohm

**Table 14: Typical speaker characteristics**

Parameter			Min	Typ	Max	Unit
Normal Output (AOUT1)	Single Ended	Load Resistance	28	32		Ohm
		Ref level	0		2.4	Vpp
	Differential	Load Resistance	28	32		Ohm
		Ref level	0		4.8	Vpp
Auxiliary Output (AOUT2)	Single Ended	Load Resistance	16	32		Load Resistance
		Ref level	0		2.4	Vpp
Output (AOUT3)	Differential	Load Resistance		8		Load Resistance
		Ref level	0		2*VBAT	Vpp

## 3.11. SIM card interface

### 3.11.1. SIM card application

The SIM interface supports the functionality of the GSM Phase 1 specification and also supports the functionality of the new GSM Phase 2+ specification for FAST 64 kbps SIM card, which is intended for use with a SIM application Tool-kit.

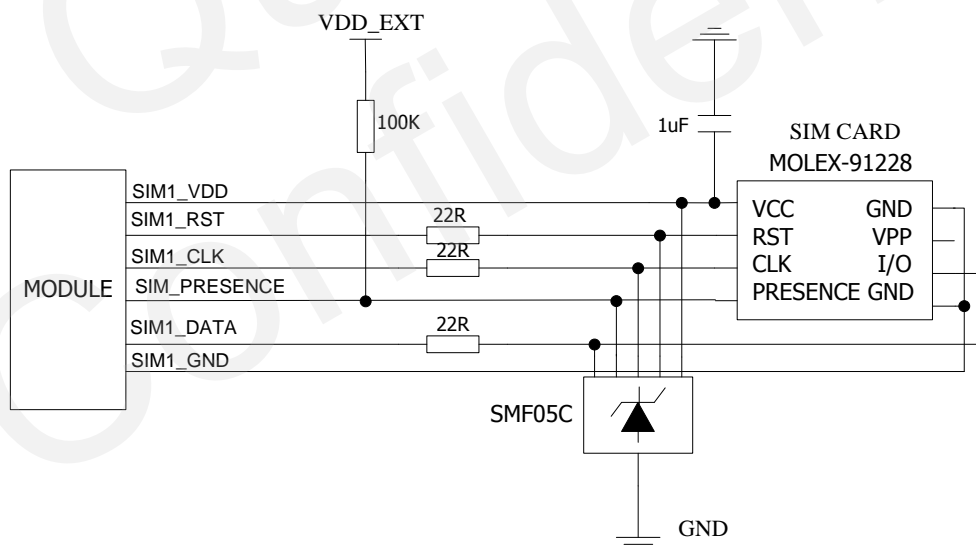
The SIM interface is powered from an internal regulator in the module. Both 1.8V and 3.0V SIM Cards are supported.

**Table 15: Pin definition of the SIM interface**

Name	Pin	Function
SIM1_VDD	56	Supply power for SIM Card. Automatic detection of SIM card voltage. $3.0V \pm 10\%$ and $1.8V \pm 10\%$ . Maximum supply current is around 10mA.
SIM1_DATA	54	SIM Card data I/O
SIM1_CLK	55	SIM Card clock
SIM1_RST	53	SIM Card reset
SIM_PRESENCE	57	SIM Card detect
SIM1_GND	52	SIM Card ground

Figure 33 is the reference circuit for SIM interface, and here an 8-pin SIM card holder is used. In order to offer good ESD protection, it is recommended to add TVS such as WILL (<http://www.willsemi.com>) ESDA6V8AV6. The  $22\Omega$  resistors should be added in series between the module and the SIM card so as to suppress the EMI spurious transmission and enhance the ESD protection. Note that the SIM peripheral circuit should be close to the SIM card socket.

To avoid possible cross-talk from the SIM\_CLK signal to the SIM\_DATA signal, be careful that both lines should be not close to each other. A useful approach is to use GND line to shield the SIM\_DATA line from the SIM\_CLK line.

**Figure 33: Reference circuit of the 8 pins SIM card**

If customer doesn't need the SIM card detection function, keep SIM\_PRESENCE open. The reference circuit using a 6-pin SIM card socket is illustrated as the following figure.

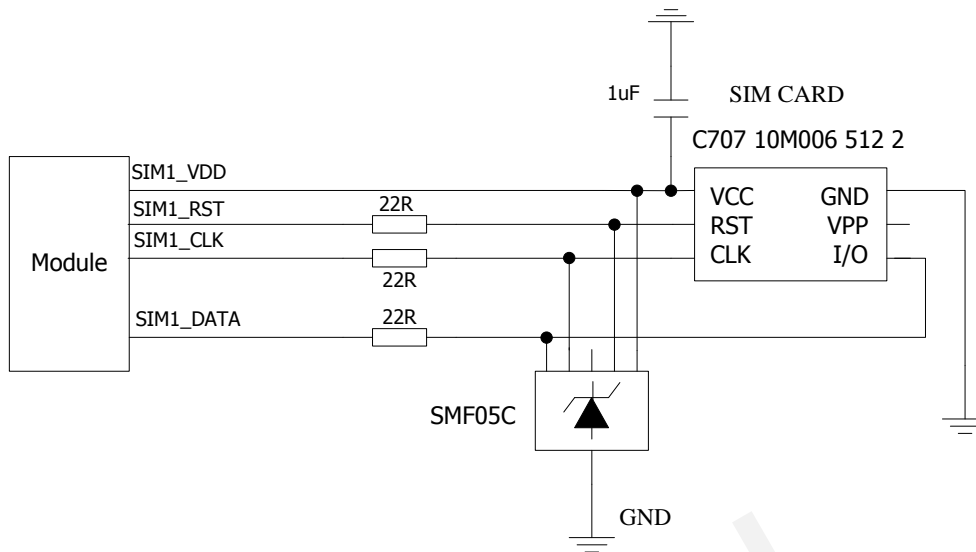


Figure 34: Reference circuit of the 6 pins SIM card

### 3.11.2. 6 Pin SIM cassette

For 6-pin SIM card holder, it is recommended to use Amphenol C707 10M006 512 2. Please visit <http://www.amphenol.com> for more information.

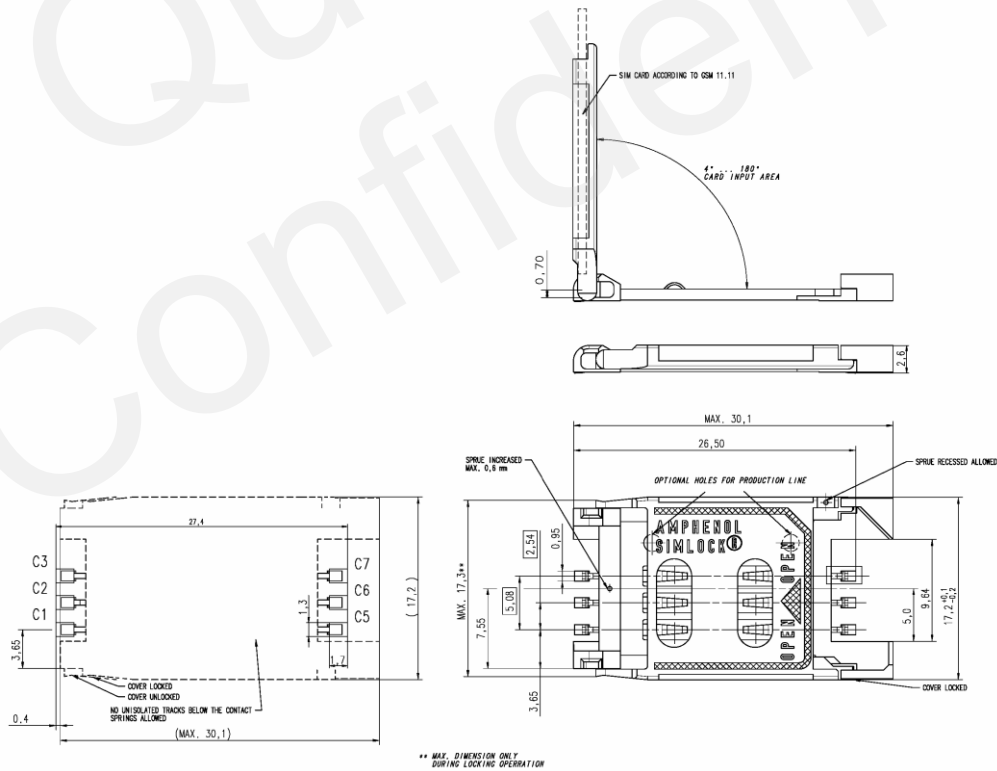


Figure 35: Amphenol C707 10M006 512 2 SIM card holder

Table 16: Pin description of Amphenol SIM card holder

Name	Pin	Function
SIM_VDD	C1	SIM Card Power Supply
SIM_RST	C2	SIM Card Reset
SIM_CLK	C3	SIM Card Clock
GND	C5	Ground
VPP	C6	Not Connect
SIM_DATA	C7	SIM Card data I/O

3.11.3. 8 Pin SIM cassette

For 8-pin SIM card holder, it is recommended to use Molex 91228. Please visit <http://www.molex.com> for more information.

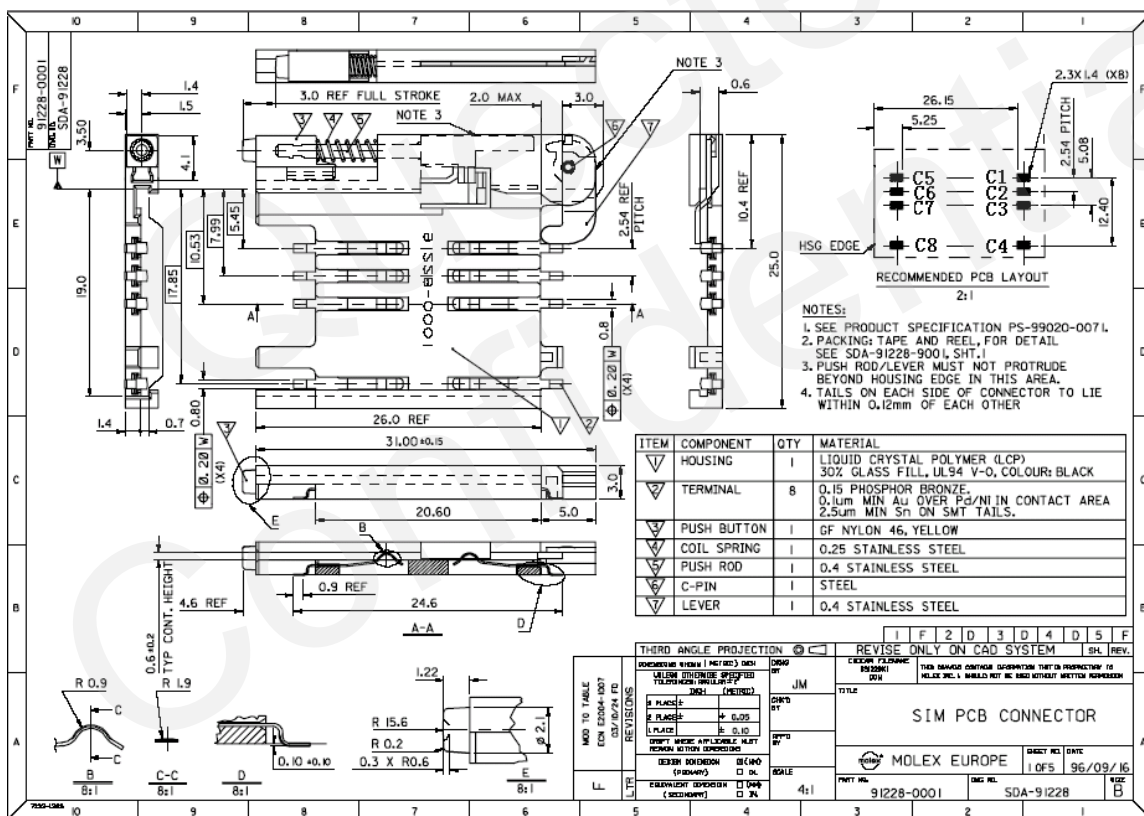


Figure 36: Molex 91228 SIM card holder

Table 17: Pin description of Molex SIM card holder

Name	Pin	Function
SIM_VDD	C1	SIM Card Power supply
SIM_RST	C2	SIM Card Reset

SIM_CLK	C3	SIM Card Clock
SIM_PRESENCE	C4	SIM Card Presence Detection
GND	C5	Ground
VPP	C6	Not Connect
SIM_DATA	C7	SIM Card Data I/O
SIM_DETECT	C8	Pulled down GND with external circuit. When the tray is present, C4 is connected to C8.

### 3.12. Camera interface

Not supported at present.

### 3.13. SD card interface

Not supported at present.

### 3.14. PCM interface

Not supported at present.

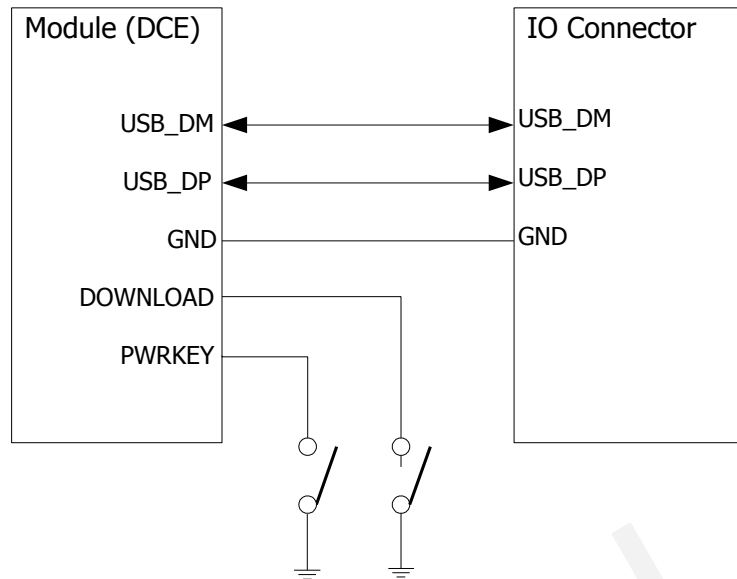
### 3.15. USB interface

M80 provides USB interface which complies with USB 1.1 FS/LS specification. It supports 12Mbps in full speed mode. It cannot act as a host device.

**Table 18: USB interface characteristics**

Name	Pin	Function
USB_DM	22	USB data negative
USB_DP	23	USB data positive

USB interface only supports downloading software and should cooperate with DOWNLOAD pin.



**Figure 37: Connection of USB download**

### 3.16. ADC

The module provides two ADC to measure the value of voltage. Use AT command “AT+QADC” to read the voltage value on ADC1 pin. Use AT command “AT+QEADC” to read the voltage value on ADC0 pin. For details of this AT command, please refer to *document [1]*. In order to improve the accuracy of ADC, the alignment of ADC should be surrounded by ground.

**Table 19: Pin definition of the ADC**

Name	Pin	Function
ADC0	2	Analog to digital converter.
ADC1	1	Analog to digital converter.

**Table 20: Characteristics of the ADC**

Item	Min	Typ	Max	Units
Voltage Range	0		2.8	V
ADC Resolution		10		bits
ADC Accuracy		2.7		mV

### 3.17. Behaviors of the RI



Table 21: Behaviors of the RI

State	RI respond
Standby	HIGH
Voice calling	Change to LOW, then: <ol style="list-style-type: none"> <li>(1) Change to HIGH when call is established.</li> <li>(2) Use ATH to hang up the call, change to HIGH.</li> <li>(3) Calling part hangs up, change to HIGH first, and change to LOW for 120ms indicating “NO CARRIER” as an URC, then change to HIGH again.</li> <li>(4) Change to HIGH when SMS is received.</li> </ol>
Data calling	Change to LOW, then: <ol style="list-style-type: none"> <li>(1) Change to HIGH when data connection is established.</li> <li>(2) Use ATH to hang up the data calling, change to HIGH.</li> <li>(3) Calling part hangs up, change to HIGH first, and change to LOW for 120ms indicating “NO CARRIER” as an URC, then change to HIGH again.</li> <li>(4) Change to HIGH when SMS is received.</li> </ol>
SMS	When a new SMS comes, the RI changes to LOW and holds low level for about 120 ms, then changes to HIGH.
URC	Certain URCs can trigger 120ms low level on RI. For more details, please refer to the <i>document [10]</i> .

If the module is used as a caller, the RI would maintain high except the URC or SMS is received. On the other hand, when it is used as a receiver, the timing of the RI is shown below.

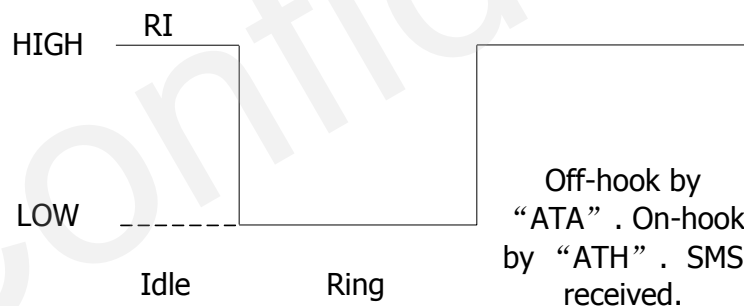


Figure 38: RI behavior of voice calling as a receiver

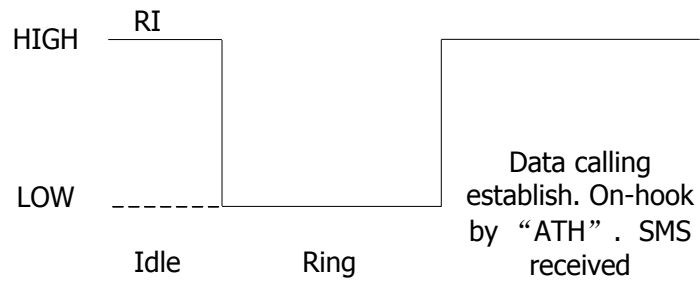


Figure 39: RI behavior of data calling as a receiver

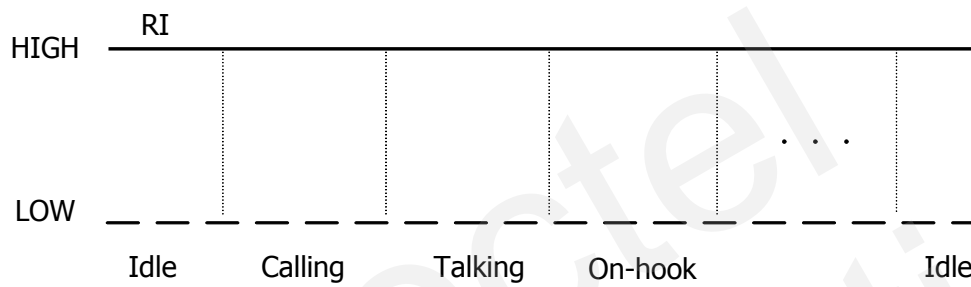


Figure 40: RI behavior as a caller

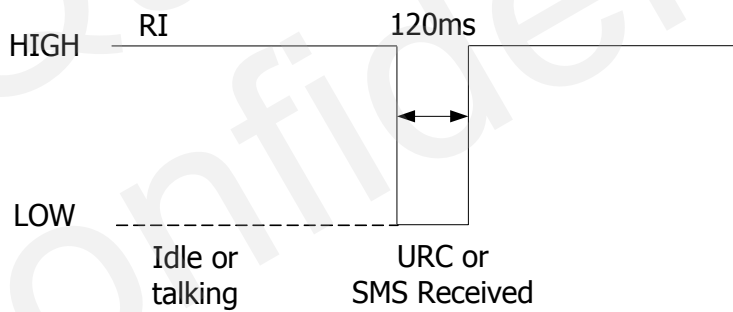


Figure 41: RI behavior of URC or SMS received

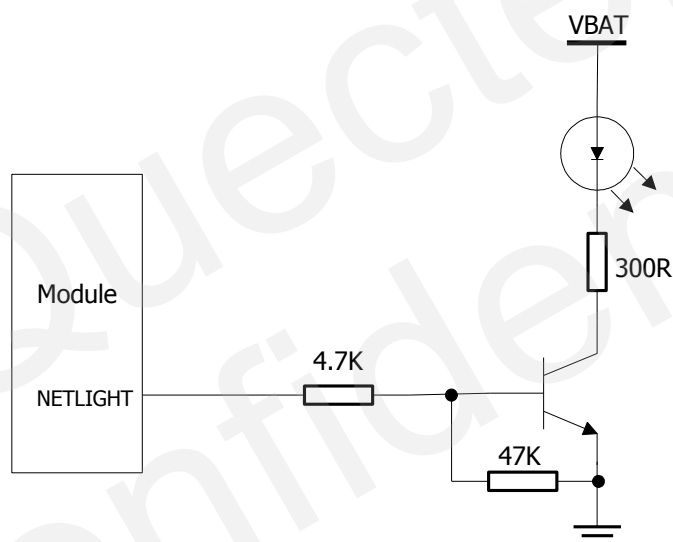
### 3.18. Network status indication

The NETLIGHT signal can be used to drive a network status indication LED. The working state of this pin is listed in Table 22.

**Table 22: Working state of the NETLIGHT**

State	Module function
Off	The module is not running.
64ms On/ 800ms Off	The module is not synchronized with network.
64ms On/ 2000ms Off	The module is synchronized with network.
64ms On/ 600ms Off	GPRS data transfer is ongoing.

A reference circuit is shown in Figure 42.



**Figure 42: Reference circuit of the NETLIGHT**

### 3.19. Operating status indication

The STATUS pin is set as an output pin and can be used to judge whether module is power-on. In customer's design, this pin can be connected to a GPIO of DTE or be used to drive an LED in order to judge module operation status. A reference circuit is shown in Figure 43.

**Table 23: Pin definition of the STATUS**

Name	Pin	Function
STATUS	16	Indication of module operating status

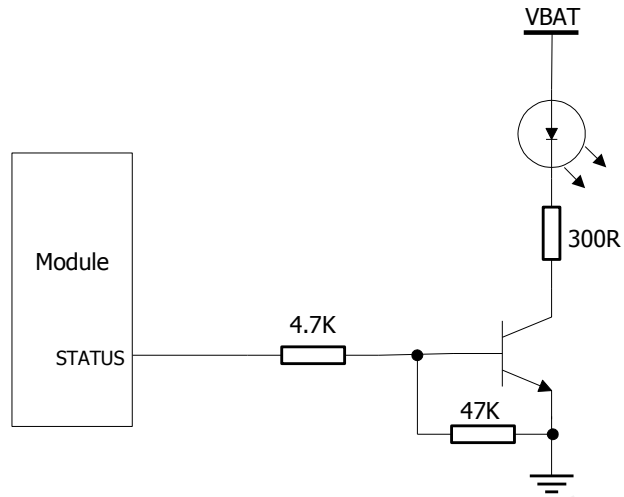


Figure 43: Reference circuit of the STATUS

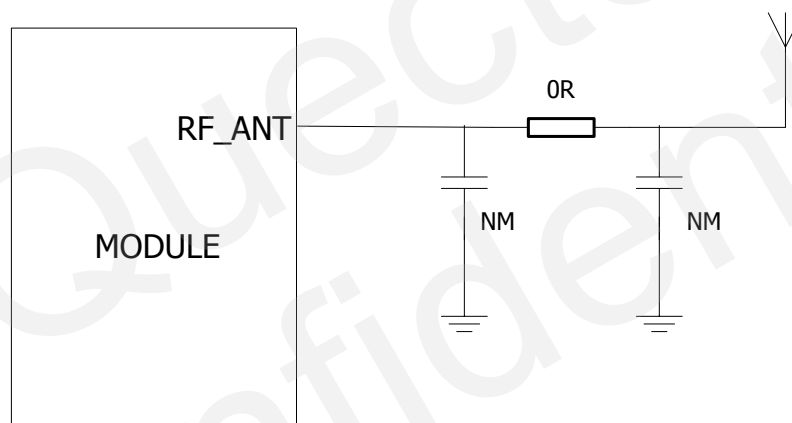
## 4. Antenna interface

The Pin 63 is the RF antenna pad. The RF interface has an impedance of 50Ω.

Name	Pin	Function
GND	62	ground
GND	61	ground
RF_ANT	63	RF antenna pad
GND	66	ground
GND	65	ground
GND	64	ground

### 4.1. RF reference design

The RF external circuit is recommended as below:



**Figure 44: Reference circuit of RF**

M80 provides an RF antenna PAD for customer's antenna connection. The RF trace in host PCB connected to the module RF antenna pad should be micro-strip line or other types of RF trace, whose characteristic impedance should be close to 50Ω. M80 comes with grounding pads which are next to the antenna pad in order to give a better grounding.

To minimize the loss on the RF trace and RF cable, take design into account carefully. It is recommended that the insertion loss should meet the following requirements:

GSM850/EGSM900 is <1dB.

DCS1800/PCS1900 is <1.5dB.

## 4.2. RF output power

**Table 24: The module conducted RF output power**

Frequency	Max	Min
GSM850	33dBm $\pm$ 2dB	5dBm $\pm$ 5dB
EGSM900	33dBm $\pm$ 2dB	5dBm $\pm$ 5dB
DCS1800	30dBm $\pm$ 2dB	0dBm $\pm$ 5dB
PCS1900	30dBm $\pm$ 2dB	0dBm $\pm$ 5dB

*Note: In GPRS 4 slots TX mode, the max output power is reduced by 2.5dB. This design conforms to the GSM specification as described in section 13.16 of 3GPP TS 51.010-1.*

## 4.3. RF receiving sensitivity

**Table 25: The module conducted RF receiving sensitivity**

Frequency	Receive sensitivity
GSM850	< -108.5dBm
EGSM900	< -108.5dBm
DCS1800	< -108.5dBm
PCS1900	< -108.5dBm

## 4.4. Operating frequencies

**Table 26: The module operating frequencies**

Frequency	Receive	Transmit	ARFCH
GSM850	869~894MHz	824~849MHz	128~251
EGSM900	925~960MHz	880~915MHz	0~124, 975~1023
DCS1800	1805~1880MHz	1710~1785MHz	512~885
PCS1900	1930~1990MHz	1850~1910MHz	512~810

## 4.5. RF cable soldering

Soldering the RF cable to RF pad of module correctly will reduce the loss on the path of RF, refer to the following example of RF soldering.

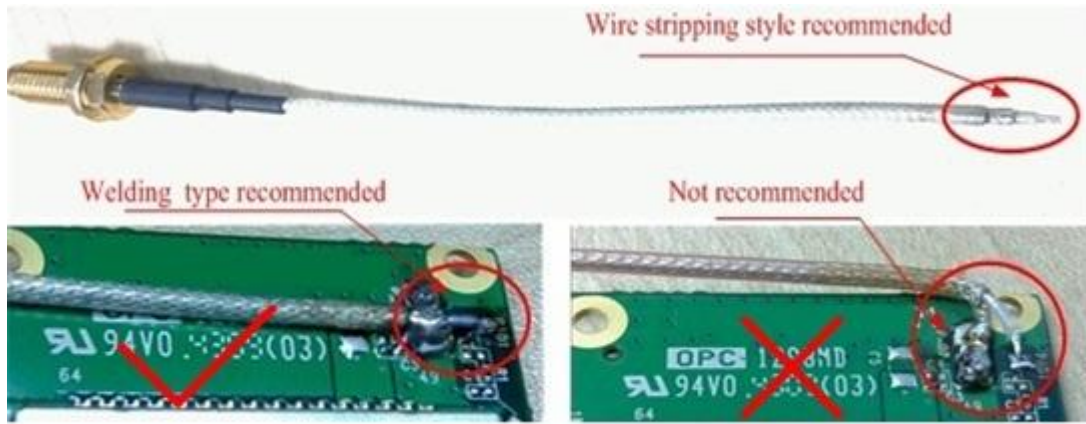


Figure 45: RF soldering sample

## 5. Electrical, reliability and radio characteristics

### 5.1. Absolute maximum ratings

Absolute maximum ratings for power supply and voltage on digital and analog pins of module are listed in the following table:

**Table 27: Absolute maximum ratings**

Parameter	Min	Max	Unit
VBAT	-0.3	+4.73	V
Peak current of power supply	0	2	A
RMS current of power supply (during one TDMA- frame)	0	0.7	A
Voltage at digital pins	-0.3	3.3	V
Voltage at analog pins	-0.3	3.0	V
Voltage at digital/analog pins in POWER DOWN mode	-0.25	0.25	V

### 5.2. Operating temperature

The operating temperature is listed in the following table:

**Table 28: Operating temperature**

Parameter	Min	Typ	Max	Unit
Normal Temperature	-35	25	80	°C
Restricted Operation <sup>1)</sup>	-45 ~ -35		80 ~ 85	°C
Storage Temperature	-45		+90	°C

- 1) When the module works above temperature range, the deviations from the GSM specification may occur. For example, the frequency error or the phase error will be increased.

### 5.3. Power supply ratings

**Table 29: The module power supply ratings**

Parameter	Description	Conditions	Min	Typ	Max	Unit
VBAT	Supply voltage	Voltage must stay within the min/max values, including voltage drop, ripple, and spikes.	3.3	4.0	4.6	V



	Voltage drop during transmitting burst	Maximum power control level on GSM850 and GSM900.			400	mV	
	Voltage ripple	Maximum power control level on GSM850 and GSM900 @ f<200kHz @ f>200kHz			50 2	mV mV	
I <sub>V</sub> BAT	Average supply current	POWER DOWN mode		30		uA	
		SLEEP mode @ DRX=5		1.1		mA	
		IDLE mode					
		GSM850/EGSM 900		13		mA	
		DCS1800/PCS1900		13		mA	
		TALK mode					
		GSM850/EGSM 900 <sup>1)</sup>		220/230		mA	
		DCS1800/PCS1900 <sup>2)</sup>		157/165		mA	
DATA mode, GPRS (3 Rx,2Tx)							
GSM850/EGSM 900 <sup>1)</sup>		340/378		mA			
DCS1800/PCS1900 <sup>2)</sup>		257/264		mA			
DATA mode, GPRS(2 Rx,3Tx)							
GSM850/EGSM 900 <sup>1)</sup>		412/443		mA			
DCS1800/PCS1900 <sup>2)</sup>		308/305		mA			
DATA mode, GPRS (4 Rx,1Tx)							
GSM850/EGSM 900 <sup>1)</sup>		202/243		mA			
DCS1800/PCS1900 <sup>2)</sup>		179/158		mA			
DATA mode, GPRS (1Rx,4Tx)							
GSM850/EGSM 900 <sup>1)</sup>		473/501		mA			
DCS1800/PCS1900 <sup>2)</sup>		348/347		mA			
	Peak supply current (during transmission slot)	Maximum power control level on GSM850 and GSM900.		1.6	2	A	

<sup>1)</sup> Power control level PCL 5

<sup>2)</sup> Power control level PCL 0

#### 5.4. Current consumption

The values of current consumption are shown in Table 30.

**Table 30: The module current consumption**

Condition	Current Consumption
<b>Voice Call</b>	
GSM850	@power level #5 <300mA, Typical 217mA @power level #12, Typical 102mA @power level #19, Typical 79mA
GSM900	@power level #5 <300mA, Typical 235mA @power level #12, Typical 109mA @power level #19, Typical 83mA
DCS1800	@power level #0 <250mA, Typical 167mA @power level #7, Typical 92mA @power level #15, Typical 75mA
PCS1900	@power level #0 <250mA, Typical 163mA @power level #7, Typical 91mA @power level #15, Typical 76mA
<b>GPRS Data</b>	
DATA mode, GPRS ( 1 Rx, 1 Tx ) CLASS 12	
GSM850	@power level #5 <350mA, Typical 202mA @power level #12, Typical 87mA @power level #19, Typical 63mA
EGSM 900	@power level #5 <350mA, Typical 219mA @power level #12, Typical 96mA @power level #19, Typical 70mA
DCS 1800	@power level #0 <300mA, Typical 161mA @power level #7, Typical 82mA @power level #15, Typical 66mA
PCS 1900	@power level #0 <300mA, Typical 158mA @power level #7, Typical 82mA @power level #15, Typical 66mA
DATA mode, GPRS ( 3 Rx, 2 Tx ) CLASS 12	
GSM850	@power level #5 <550mA, Typical 340mA @power level #12, Typical 135mA @power level #19, Typical 85mA
EGSM 900	@power level #5 <550mA, Typical 378mA @power level #12, Typical 156mA @power level #19, Typical 103mA
DCS 1800	@power level #0 <450mA, Typical 257mA @power level #7, Typical 118mA @power level #15, Typical 84mA
PCS 1900	@power level #0 <450mA, Typical 264mA @power level #7, Typical 128mA @power level #15, Typical 95mA

DATA mode, GPRS ( 2 Rx, 3 Tx ) CLASS 12	
GSM850	@power level #5 <600mA, Typical 412mA @power level #12, Typical 176mA @power level #19, Typical 102mA
EGSM 900	@power level #5 <600mA, Typical 443mA @power level #12, Typical 189mA @power level #19, Typical 110mA
DCS 1800	@power level #0 <490mA, Typical 308mA @power level #7, Typical 147mA @power level #15, Typical 97mA
PCS 1900	@power level #0 <480mA, Typical 305mA @power level #7, Typical 146mA @power level #15, Typical 98mA
DATA mode, GPRS ( 4 Rx, 1 Tx ) CLASS 12	
GSM850	@power level #5 <350mA, Typical 202mA @power level #12, Typical 87mA @power level #19, Typical 62mA
EGSM 900	@power level #5 <350mA, Typical 243mA @power level #12, Typical 97mA @power level #19, Typical 69mA
DCS 1800	@power level #0 <300mA, Typical 179mA @power level #7, Typical 82mA @power level #15, Typical 66mA
PCS 1900	@power level #0 <300mA, Typical 158mA @power level #7, Typical 82mA @power level #15, Typical 66mA
DATA mode, GPRS ( 1 Rx, 4 Tx ) CLASS 12	
GSM850	@power level #5 <660mA, Typical 473mA @power level #12, Typical 207mA @power level #19, Typical 109mA
EGSM 900	@power level #5 <660mA, Typical 501mA @power level #12, Typical 221mA @power level #19, Typical 117mA
DCS 1800	@power level #0 <530mA, Typical 348mA @power level #7, Typical 166mA @power level #15, Typical 99mA
PCS 1900	@power level #0 <530mA, Typical 347mA @power level #7, Typical 165mA @power level #15, Typical 100mA

**Note:** GPRS Class 12 is the default setting. The module can be configured from GPRS Class 1 to Class 12 by “AT+QGPCCLASS”. Setting to lower GPRS class would make it easier to design the power supply for the module.

## 5.5. Electro-static discharge

Although the GSM engine is generally protected against Electrostatic Discharge (ESD), ESD protection precautions should still be emphasized. Proper ESD handling and packaging procedures must be applied throughout the processing, handling and operation of any applications using the module.

The measured ESD values of module are shown as the following table:

**Table 31: The ESD endurance (Temperature:25°C,Humidity:45 %)**

Tested point	Contact discharge	Air discharge
VBAT,GND	±5KV	±10KV
RF_ANT	±5KV	±10KV
PWRKEY EMERG_OFF, STATUS	±4KV	±8KV
SIM1_VDD, SIM1_DATA SIM1_CLK, SIM1_RST	±4KV	±8KV
TXD, RXD RTS, CTS, DTR	±4KV	±8KV
Others	±0.5KV	±1KV

## 6. Mechanical dimensions

This chapter describes the mechanical dimensions of the module.

### 6.1. Mechanical dimensions of module

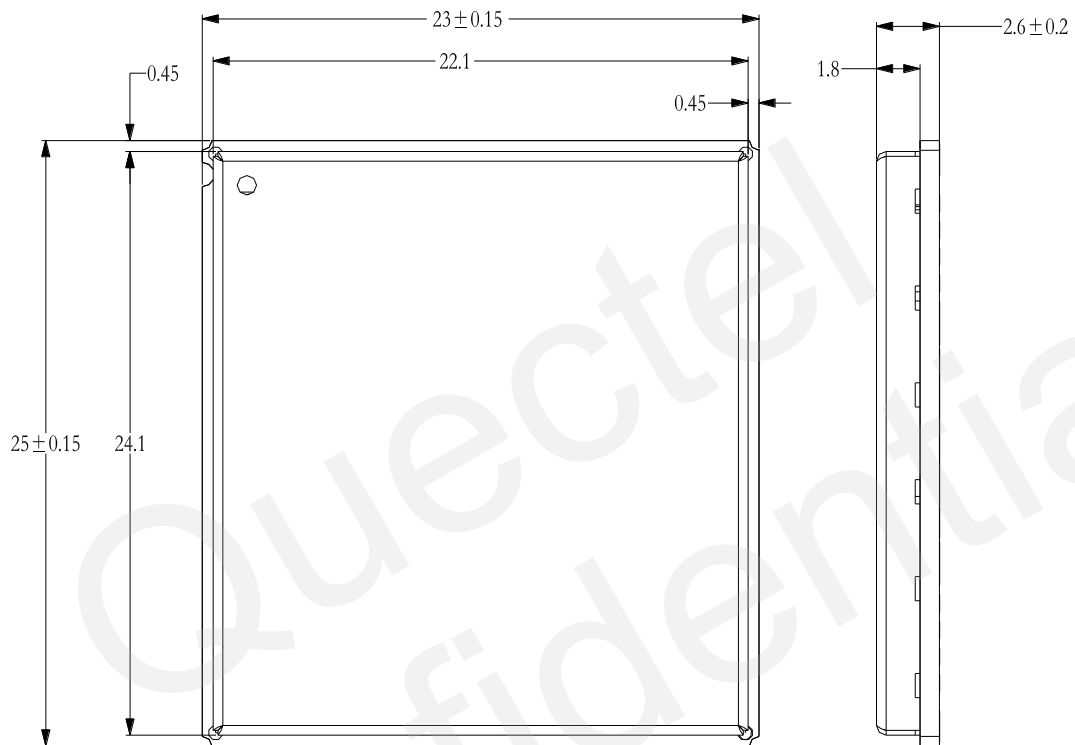


Figure 46: M80 top and side dimensions (Unit: mm)



6.2. Footprint one of recommendation

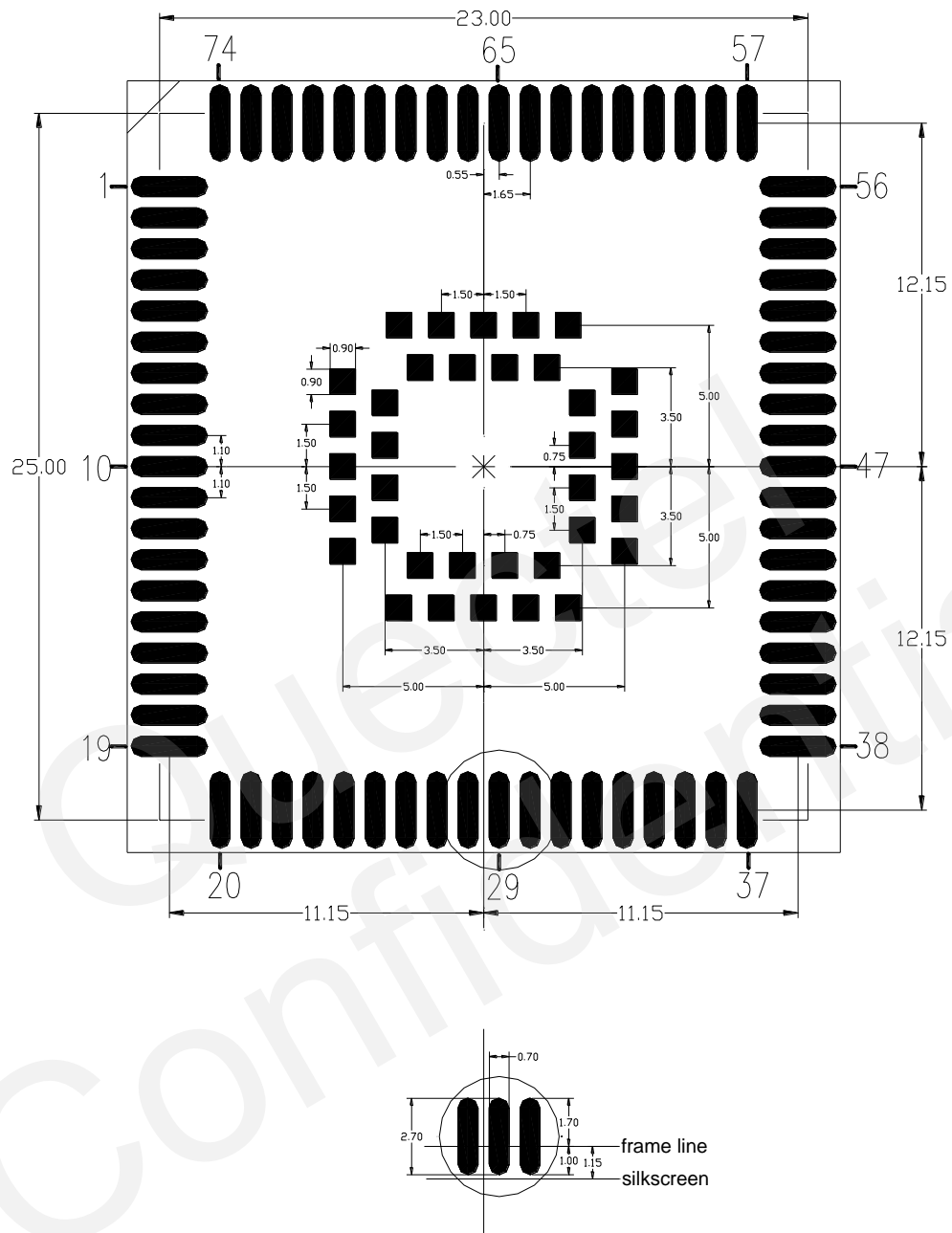


Figure 48: Footprint one of recommendation (Unit: mm)

### 6.3. Footprint two of recommendation

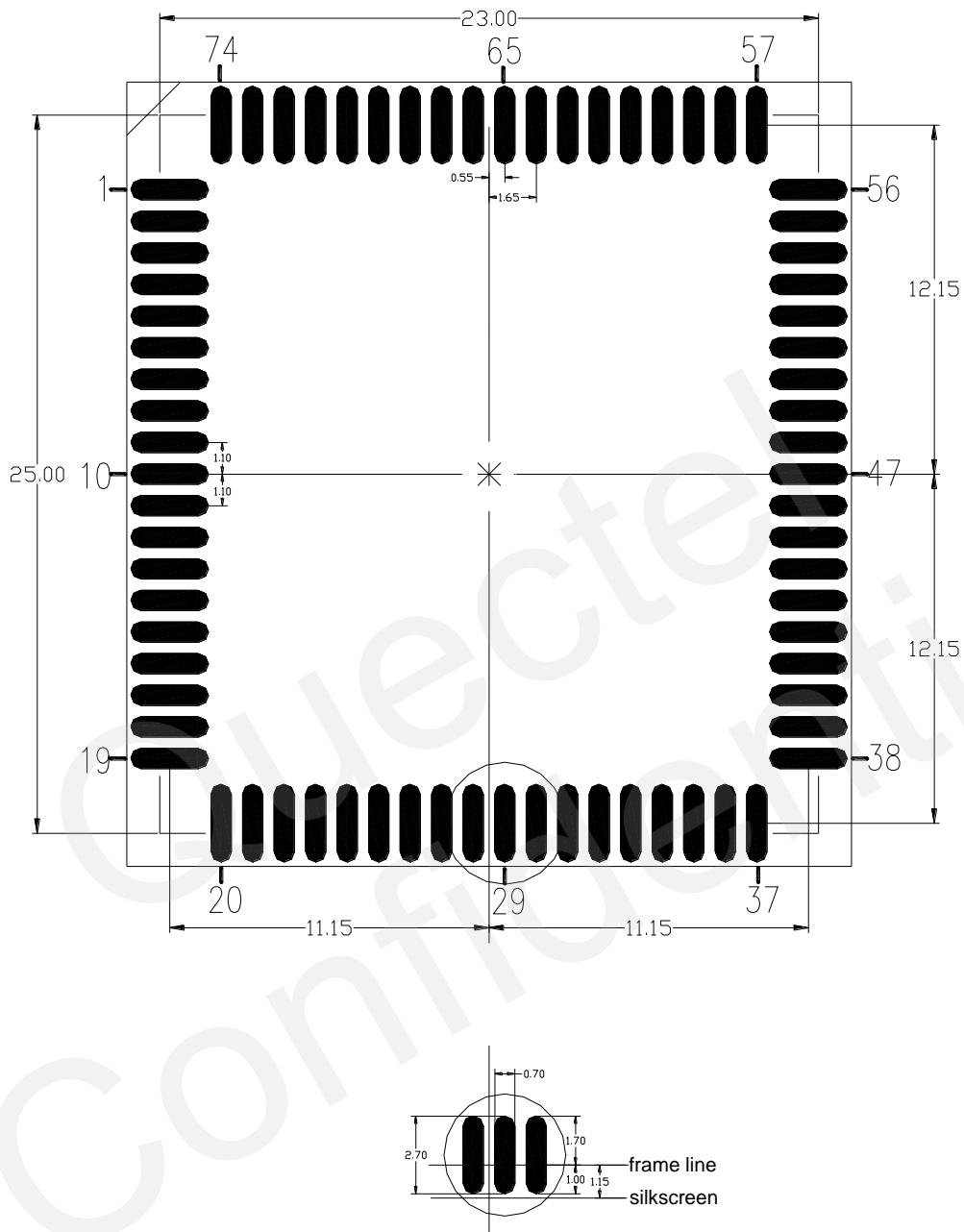


Figure 49: Footprint two of recommendation (Unit: mm)

*Note: In order to maintain the module, keep about 3mm away between the module and other components in host PCB.*



#### 6.4. Top view of the module



**Figure 50: Top view of the module**

### 6.5. Bottom view of the module

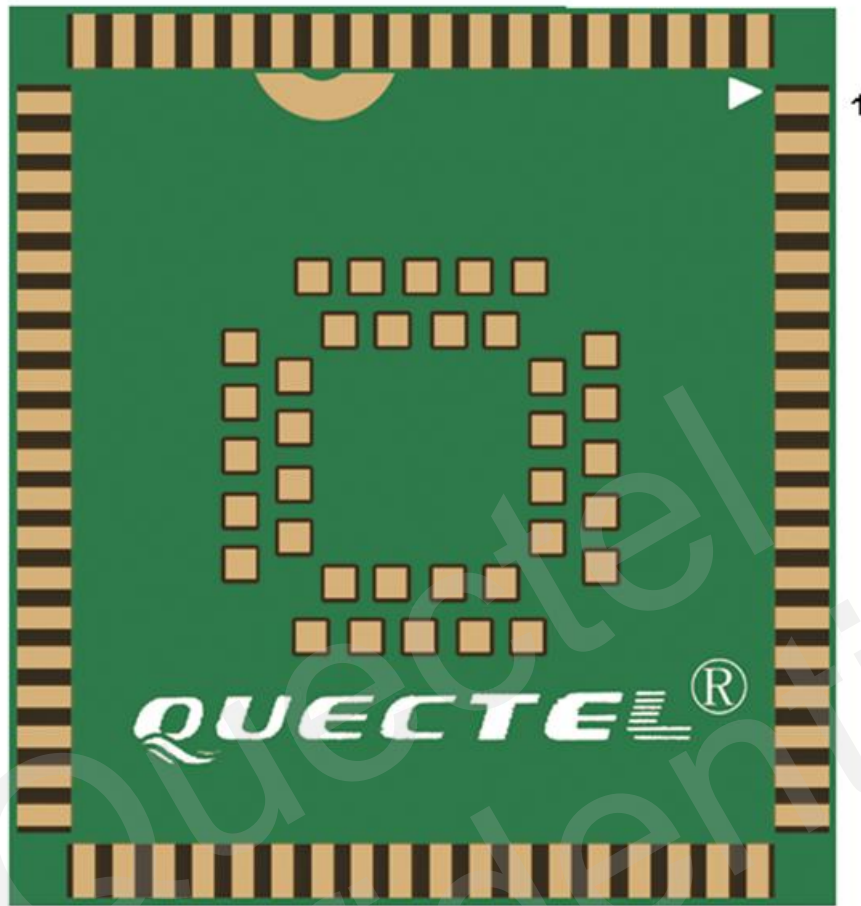


Figure 51: Bottom view of the module

## 7. Storage and Manufacturing

### 7.1. Storage

M80 is distributed in vacuum-sealed bag. The restriction of storage condition is shown as below.

Shelf life in sealed bag: 12 months at  $<40^{\circ}\text{C}/90\%\text{RH}$

After this bag is opened, devices that will be subjected to reflow solder or other high temperature process must be:

- Mounted within 72 hours at factory conditions of  $\leq 30^{\circ}\text{C}/60\%\text{RH}$
- Stored at  $<10\%\text{RH}$

Devices require bake, before mounting, if:

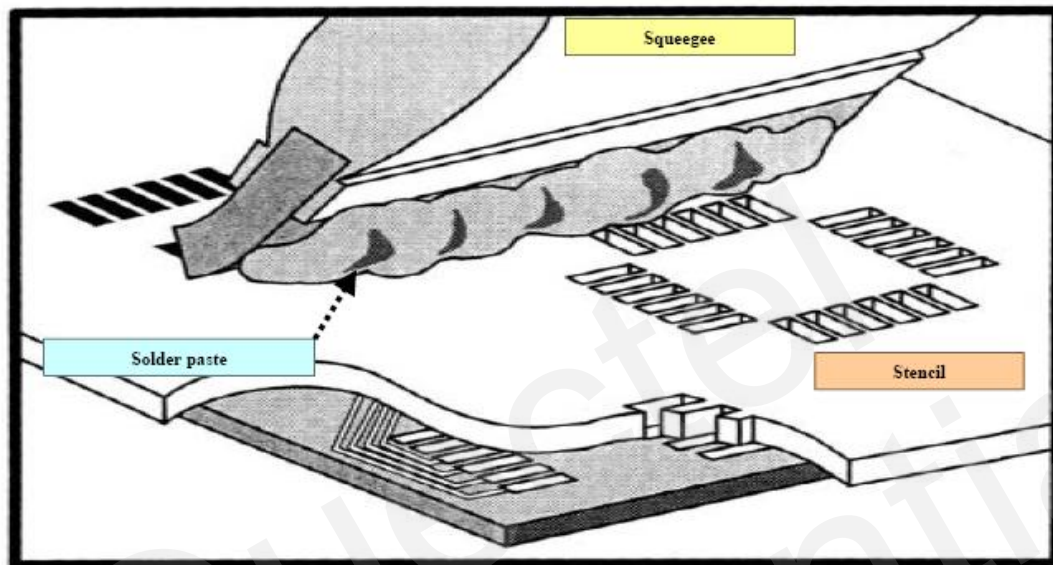
- Humidity indicator card is  $>10\%$  when read at  $23^{\circ}\text{C} \pm 5^{\circ}\text{C}$
- Mounted exceed 72 hours at factory conditions of  $\leq 30^{\circ}\text{C}/60\%\text{RH}$
- Stored at  $>10\%\text{RH}$

If baking is required, devices may be baked for 48 hours at  $125^{\circ}\text{C} \pm 5^{\circ}\text{C}$

***Note: As plastic container cannot be subjected to high temperature, devices must be removed prior to high temperature ( $125^{\circ}\text{C}$ ) bake. If shorter bake times are desired, refer to IPC/JEDECJ-STD-033 for bake procedure.***

## 7.2. Soldering

The squeegee should push the paste on the surface of the stencil that makes the paste fill the stencil openings and penetrate to the PCB. The force on the squeegee should be adjusted so as to produce a clean stencil surface on a single pass. To ensure the module soldering quality, the thickness of stencil at the hole of the module pads should be 0.13mm for M80.



**Figure 52: Paste application**

Suggest peak reflow temperature is from 235 °C to 245 °C (for SnAg3.0Cu0.5 alloy). Absolute max reflow temperature is 260 °C. To avoid damage to the module when it was repeatedly heated, it is suggested that the module should be mounted after the first panel has been reflowed. The following picture is the actual diagram which we have operated.

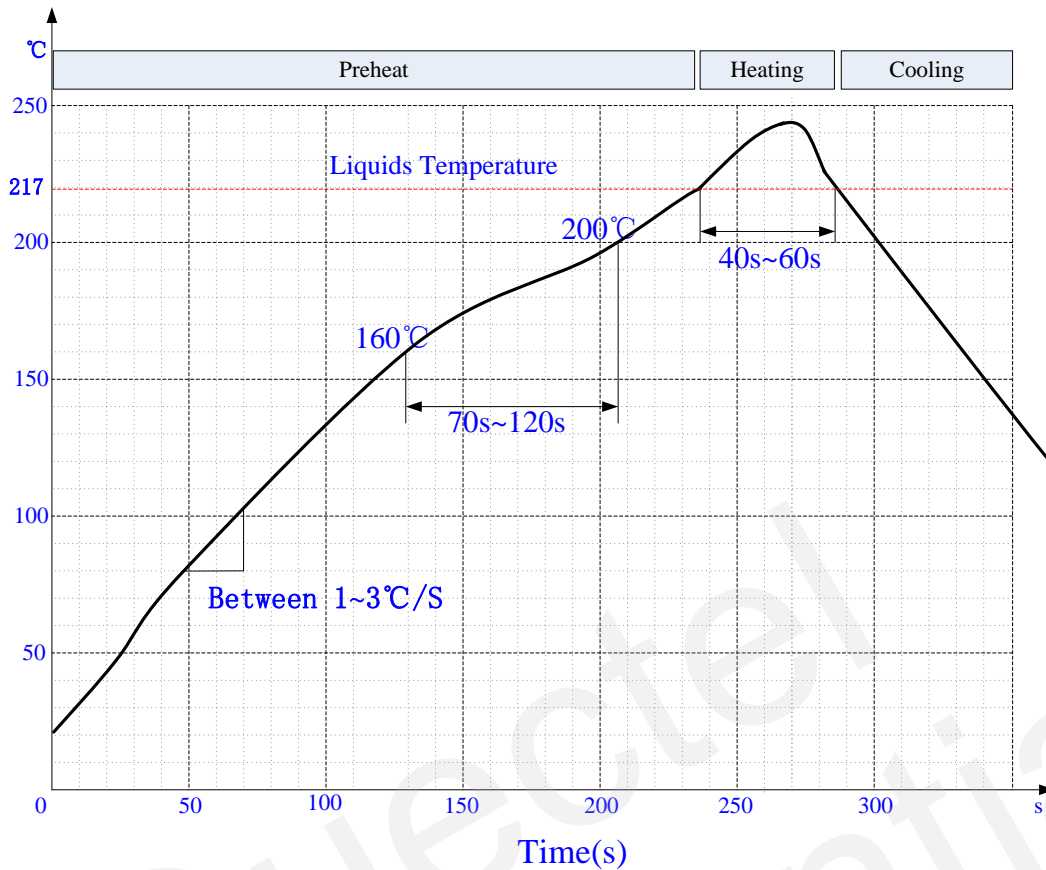


Figure 53: Ramp-Soak-Spike reflow profile

### 7.3. Packaging

M80 modules are distributed in trays of 20 pieces each. This is especially suitable for the M80 according to SMT processes requirements.

The trays are stored inside a vacuum-sealed bag which is ESD protected. It should not be opened until the devices are ready to be soldered onto the application.



Figure 54: Module tray

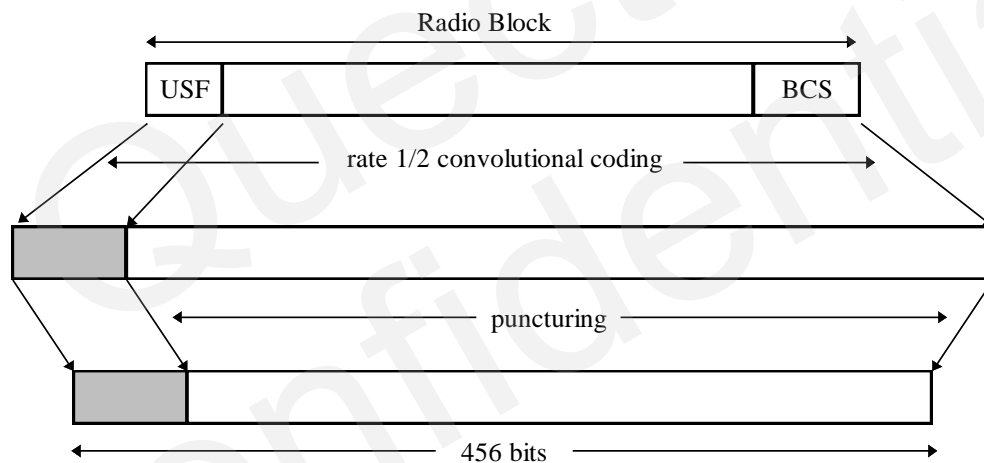
## Appendix A: GPRS coding schemes

Four coding schemes are used in GPRS protocol. The differences between them are shown in Table 32.

**Table 32: Description of different coding schemes**

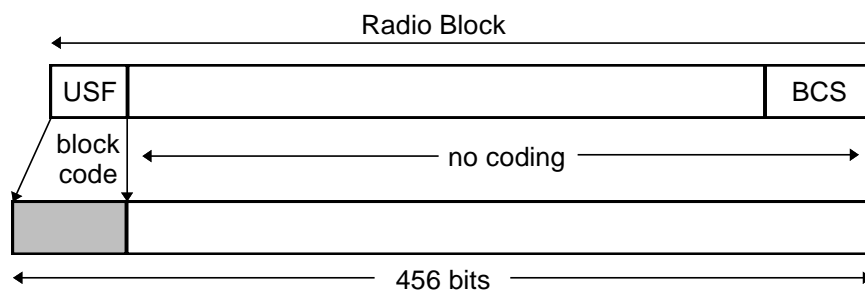
Scheme	Code rate	USF	Pre-coded USF	Radio Block excl.USF and BCS	BCS	Tail	Coded bits	Punctured bits	Data rate Kb/s
CS-1	1/2	3	3	181	40	4	456	0	9.05
CS-2	2/3	3	6	268	16	4	588	132	13.4
CS-3	3/4	3	6	312	16	4	676	220	15.6
CS-4	1	3	12	428	16	-	456	-	21.4

Radio block structure of CS-1, CS-2 and CS-3 is shown as Figure 55:



**Figure 55: Radio block structure of CS-1, CS-2 and CS-3**

Radio block structure of CS-4 is shown as Figure 56:



**Figure 56: Radio block structure of CS-4**

## Appendix B: GPRS multi-slot classes

Twenty-nine classes of GPRS multi-slot modes are defined for MS in GPRS specification. Multi-slot classes are product dependant, and determine the maximum achievable data rates in both the uplink and downlink directions. Written as 3+1 or 2+2, the first number indicates the amount of downlink timeslots, while the second number indicates the amount of uplink timeslots. The active slots determine the total number of slots the GPRS device can use simultaneously for both uplink and downlink communications. The description of different multi-slot classes is shown in Table 33.

**Table 33: GPRS multi-slot classes**

Multislot class	Downlink slots	Uplink slots	Active slots
1	1	1	2
2	2	1	3
3	2	2	3
4	3	1	4
5	2	2	4
6	3	2	4
7	3	3	4
8	4	1	5
9	3	2	5
10	4	2	5
11	4	3	5
12	4	4	5
13	3	3	NA
14	4	4	NA
15	5	5	NA
16	6	6	NA
17	7	7	NA
18	8	8	NA
19	6	2	NA
20	6	3	NA
21	6	4	NA
22	6	4	NA
23	6	6	NA
24	8	2	NA
25	8	3	NA
26	8	4	NA
27	8	4	NA
28	8	6	NA
29	8	8	NA

# QUECTEL



Shanghai Quectel Wireless Solutions Co., Ltd.  
Room 501, Building 13, No.99 Tianzhou Road, Shanghai, China 200233  
Tel: +86 21 5108 6236  
Mail: [info@quectel.com](mailto:info@quectel.com)