



Antenna_GPS_MMCX_3M

User Guide For GL200 Devices

ACCEAAG200UG001



EDDY
WIRELESS®
sales@eddywireless.com

| | |
|----------------------------|--------------------------------|
| Document Title | Antenna_GPS_MMCX_3M User Guide |
| Version | 1.00 |
| Date | 2012-06-15 |
| Status | Release |
| Document Control ID | ACCEAAG200UG001 |

Contents

| | |
|---|---|
| Contents | 2 |
| 0. Revision history | 3 |
| 1. General Description | 4 |
| 2. Electrical Specification | 5 |
| 2.1. Patch: (measured with 70*70mm ground plane)..... | 5 |
| 2.2. LNA..... | 5 |
| 2.3. Cable and Connect loss | 5 |
| 3. Dimensions | 6 |

0. Revision history

| Revision | Date | Author | Description of change |
|----------|------------|--------|-----------------------|
| 1.00 | 2012-06-15 | Cid Xu | Initial |
| | | | |
| | | | |

1. General Description

Antenna_GPS_MMCX_3M is a GPS Active Antenna with MMCX type RF connector. The cable length is 3m.

2. Electrical Specification

2.1. Patch: (measured with 70*70mm ground plane)

| Characteristics | Specification |
|---|-------------------|
| Center Frequency | 1610 MHz |
| Center Frequency error specifications | ± 2.5 MHz |
| Center Frequency return loss (S_{11}) | ≤ -20 dB |
| Bandwidth point return loss | -10 dB |
| Bandwidth | 10 MHz min |
| Center Frequency impedance specification | 50Ω (typ) |

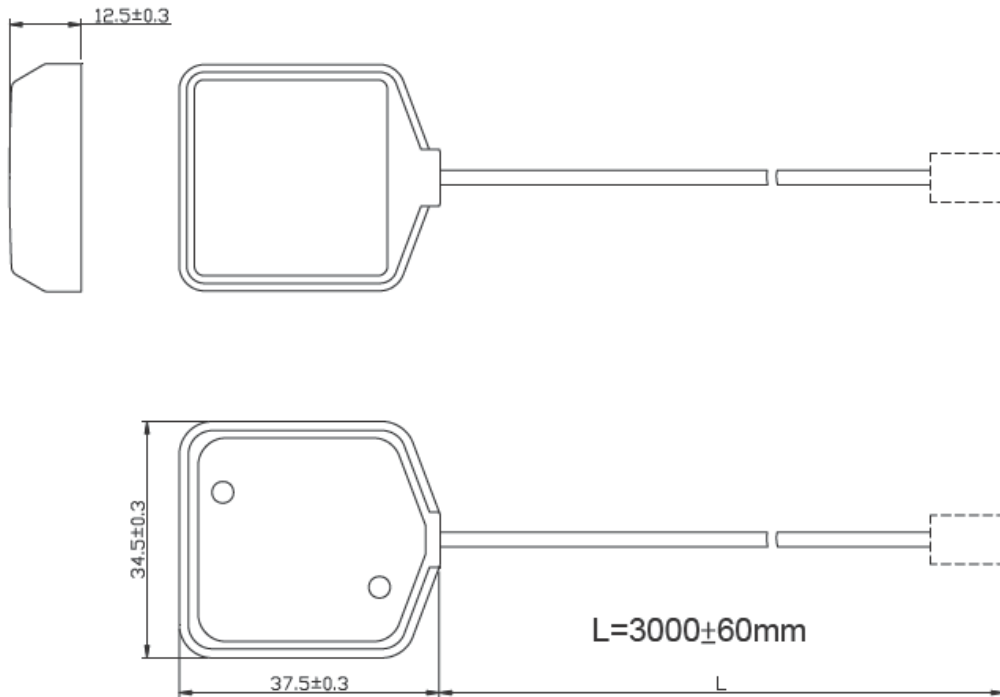
2.2. LNA

| Characteristics | Specification |
|------------------|---------------------------------|
| Center Frequency | 1575.42 ± 1.023 MHz |
| Gain | 3.3 ± 0.1 V 27 ± 3 dB |
| Voltage (Vcc) | 3.3 ± 0.1 V 3.3 ± 0.6 V |
| Current (Iin) | 12 ± 2 mA |

2.3. Cable and Connect loss

3m Cable & connector Loss $\cong 5.2$ dB

3. Dimensions



Connector Appearance: MMCX PLUG

