



Active Buzzer User Guide For GVXXX-Series Devices

ACCEAB100UG001

Revision: 1.00



Document Title	Active Buzzer User Guide
Version	1.00
Date	2012-06-07
Status	Release
Document Control ID	ACCEAB100UG001

Contents

Contents	2
0. Revision history	3
1. General Description	4
2. Product Specification	5
2.1. Basic Specification.....	5
2.2. Outside View	5
2.3. Test Method.....	6
2.4. Frequency Response.....	6
3. Installation.....	7
3.1. Interface Description	7
3.2. Installation Example.....	7

0. Revision history

Revision	Date	Author	Description of change
1.00	2012-06-07	Cid Xu	Initial

1. General Description

Active Buzzer is with 1 meter long wire, which designed specifically for GVXXX-series.

2. Product Specification

2.1. Basic Specification

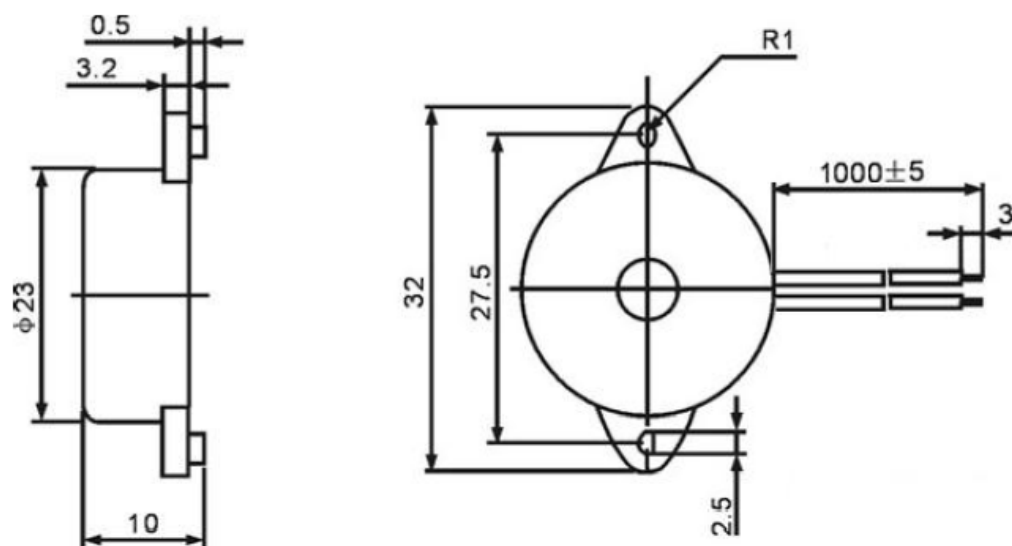
Type	Unit	SPECIFICATION
Rated Voltage	V	12
Operating Voltage	V	3~24
Rated Current (MAX)	mA	$\cong 10$
Min Sound Output at 10cm	dB	$\cong 85$
Resonant Frequency	Hz	3500 ± 500
Operating Temperature	°C	-20 ~ +60
Storage Temperature	°C	-30 ~ +70
Housing Material		ABS
Weight	g	4.0

2.2. Outside View

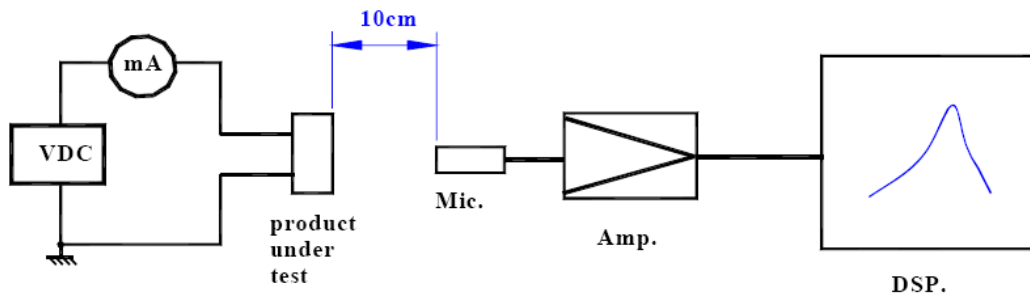
(Unit: mm)

Tolerance: $\pm 0.5\text{mm}$ Except Specified

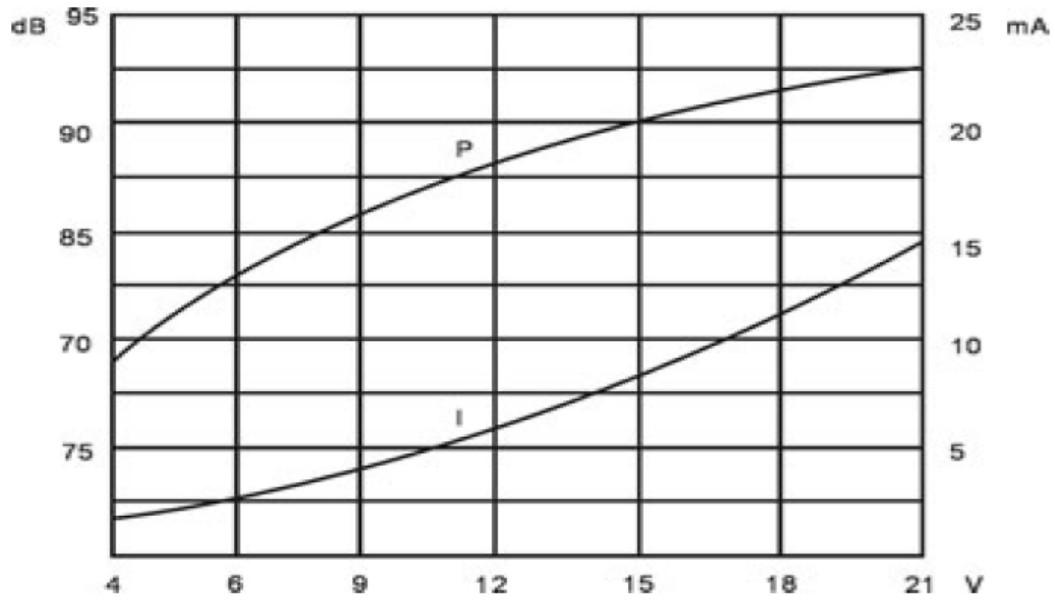
Continuous Tone



2.3. Test Method



2.4. Frequency Response



3. Installation

3.1. Interface Description

There are 2 wires on the active buzzer, the description of the wires and sample connection between active buzzer and GV300 are showed as follow:

Active Buzzer			Connection	GV300		
PIN No.	Color	Description	↔	PIN No.	Color	Description
1	Red	Power Input	↔	11	Red	PWR
2	Black	Control	↔	7/8/14	Brown/Yellow/Blue	OUT

3.2. Installation Example

Device Connection Sample

