

6

5

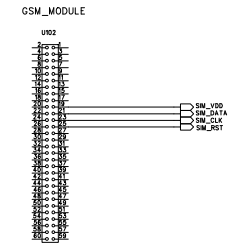
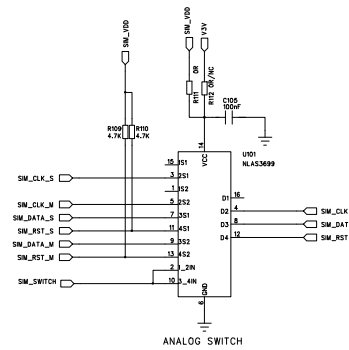
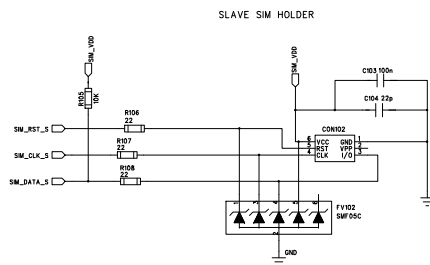
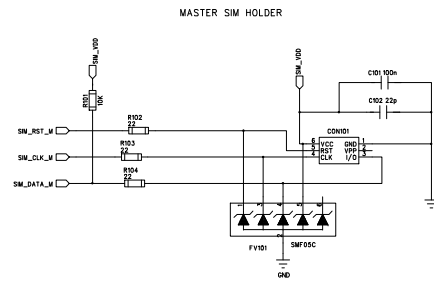
4

3

2

1

REVISION RECORD			
LTN	ECO NO.	APPROVED	DATE



TRUTH TABLE

IN	S1	S2
H	ON	OFF
L	OFF	ON

COMPANY: **Quetcel Co.,Ltd**

TITLE: **Dual SIM card circuit**

DRAWN:	DATED: 08.10.06	CODE:	SIZE:	DRAWING NO:	REV: V1.01
CHECKED:	DATED:	QUALITY CONTROL:	DATED:	RELEASED:	DATED:
SCALE:				SHEET: OF	