



# COR IBR200 Series Spec Sheet



# INTRODUCTION

## WHAT'S IN THE BOX

- M2M router with embedded Cat 1 LTE modem (10/5 Mbps DL/UL); includes integrated mounting holes
- 12 VDC / 1 A power adapter (1.5 meter cord)
- Two modem antennas
- One WiFi antenna
- Quick Start Guide with warranty and regulatory information

## KEY FEATURES

### WAN

- Cat 1 LTE
- Advanced Modem Failure Check
- Failover/Failback
- Standby
- WiFi as WAN
- IP Passthrough

### LAN

- VLAN 802.1Q
- DHCP Server, Client, Relay
- DNS and DNS Proxy
- STP
- Multicast/Multicast Proxy

### WIFI

- 802.11 1x1 b/g/n 2.4 GHz
- Up to 16 connected devices
- 2 SSIDs
- WPA2 Enterprise
- DynDNS
- AutoQoS
- QoS (DSCP and Priority Queuing)

### MANAGEMENT

- Cradlepoint NetCloud Manager<sup>1</sup>
- Web UI, API, CLI
- Data Usage Alerts (router and per client)
- Advanced Troubleshooting (support)
- Device Alerts
- SNMP
- SMS control
- Remote Connect / OOBM<sup>2</sup>
- Client Visibility Control
- Pool data alerts<sup>2</sup>
- SDK support

## VPN & ROUTING

- IPsec Tunnel – up to two concurrent sessions
- IKEv2 support (includes MOBIKE)
- GRE Tunnel
- WAN Affinity
- NAT-less Routing
- Virtual Server/Port Forwarding
- IPv6

## SECURITY

- RADIUS and TACACS+ support\*
- 802.1x authentication for Ethernet
- Certificate support
- ALGs
- MAC Address Filtering
- Advanced Security Mode (local user management only)
- Per-Client Web Filtering
- IP Filtering
- Content Filtering (basic)
- Website Filtering
- Zone-Based Object Firewall with host address (IP or FQDN), port, and mac address
- NetCloud Perimeter compatible

\*-Native support for authentication. Authorization and accounting support through hotspot/captive portal services.

1 – [NetCloud Manager](#) requires a subscription

2 – Requires [NetCloud Manager](#)

## SPECIFICATIONS

### WAN:

- Cat 1 LTE modem
- One SIM slot

**LAN:** One LAN 10/100 Ethernet port

### PORTS:

- Power
- One Ethernet LAN
- Two cellular antenna connectors (SMA)
- One WiFi connectors (reverse SMA)
- 2-wire GPIO (one input, one output)

**TEMPERATURE:** –20 °C to 60 °C (–4 °F to 140 °F) operating

**HUMIDITY (non-condensing):**

- 5% to 95% operating
- 5% to 95% storage

**POWER:**

- 12 VDC / 1 A adapter
- Power consumption:
  - Conditions: 12V input, room temperature
  - Idle: 2.7W (1.8W w/WiFi off)
  - Typical: 3.6 W (2.8W w/WiFi off)
  - Heavy Usage: TBD

**WIFI POWER (FCC):**

- 2402–2483.5 MHz (2.4 GHz band): 25.3 dBm conducted

**SIZE:** 3.0 × 3.7 × 1.0 in (76.5 × 94.5 × 24.5 mm)

**WEIGHT:** 6 oz (175 g)

**CERTIFICATIONS:**

- PTCRB, FCC, IC, Carrier
- Safety: UL/CUL
- Materials: WEEE, RoHS, RoHS-2, California Prop 65

## ACCESSORIES

- Directional Patch antennas for external (outside) mounting (Part # 170587-000)
- Directional Yagi (Log-Periodic) antennas for external (outside) mounting (Part # 170588-000)
- Omni-directional antennas for external (outside) mounting (Part # 170586-000)
- 12" Mag-mount antenna (Part # 170605-000)
- 4" Mini mag-mount antenna (Part # 170606-000)
- Barrel to 4-pin power adapter (Part # 170665-000)
- Replacement mini cellular antenna Part #: (170704-002)

See the Cradlepoint [antenna accessories page](#) for more information about antennas. Also see the Antenna Ordering and Installation Guide, available as a PDF in the Resources section of antenna and router product pages.

## BUSINESS-GRADE MODEM SPECIFICATIONS

COR IBR200 models include a Cat 1 LTE modem – specific model names include a specific modem (e.g., the COR IBR200-10M-VZ includes a Verizon Cat 1 LTE modem).

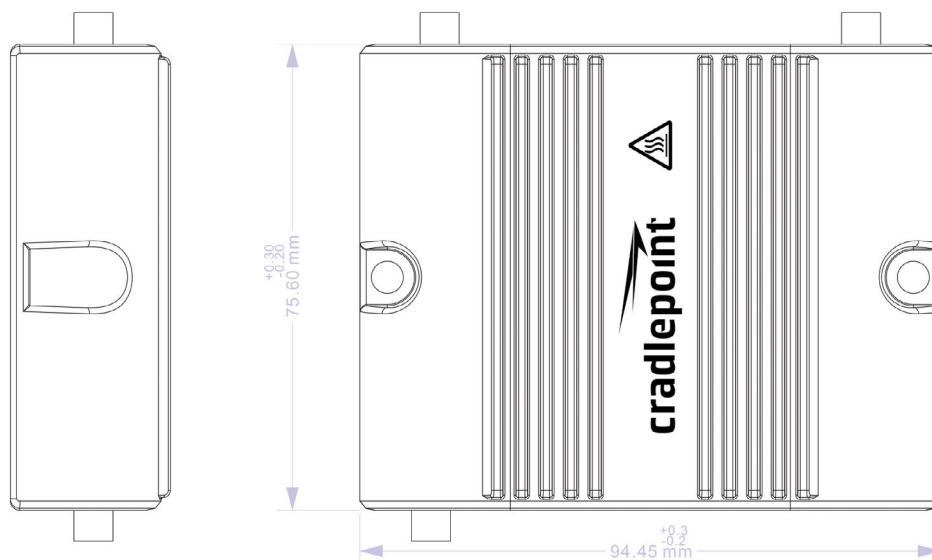
### COR IBR200-10M-VZ – Cat 1 LTE for Verizon

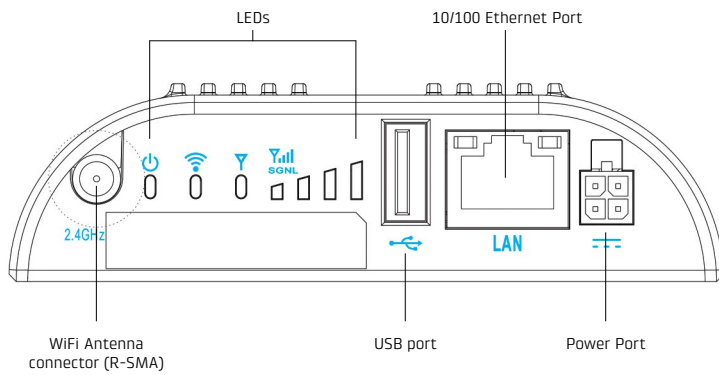
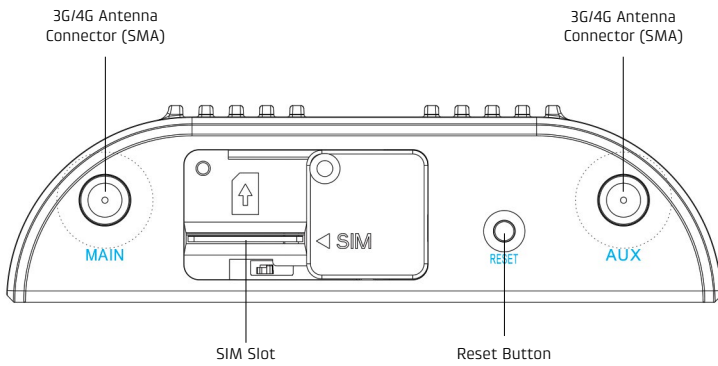
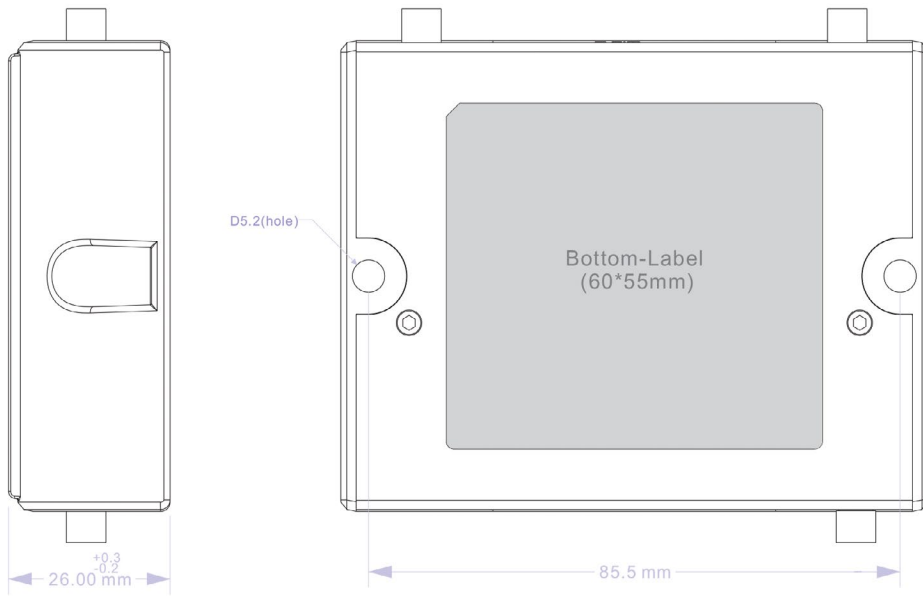
- Technology: LTE
- Downlink Rates: LTE 10 Mbps (theoretical)
- Uplink Rates: LTE 5 Mbps (theoretical)
- Frequency Bands:
  - LTE: Band 4 – AWS (1700/2100 MHz), Band 13 (700 MHz)
- Power: LTE 23 dBm ± 1 (typical conducted)
- Antennas: two SMA male (plug), finger tighten only (maximum torque spec is 7 kgf/cm<sup>2</sup>)
- Industry Standards & Certs: FCC, UL, Verizon
- SIM: one 2FF slot
- GPS: passive GPS support

### COR IBR200-10M-B-AT – Cat 1 LTE for AT&T





- Technology: LTE, HSPA+
- Downlink Rates: LTE 10 Mbps, HSPA+ 42 Mbps (theoretical)
- Uplink Rates: LTE 5 Mbps, HSPA+ 5.76 Mbps (theoretical)
- Frequency Bands:
  - LTE: Band 2 (1900 MHz), Band 4 – AWS (1700/2100 MHz), Band 5 (850 MHz), Band 12 (700 MHz)
  - HSPA+/UMTS (Fallback): (850/1700/1900/2100 MHz, AWS)
- Power: LTE 23 dBm ± 1; HSPA+ 23 dBm ± 1 (typical conducted)
- Antennas: two SMA male (plug), finger tighten only (maximum torque spec is 7 kgf/cm<sup>2</sup>)
- Industry Standards & Certs: PTCRB, FCC, IC, UL, AT&T
- SIM: one 2FF slot
- GPS: passive GPS support

## HARDWARE





## LEDS

INDICATOR	BEHAVIOR
	<p><b>POWER:</b></p> <ul style="list-style-type: none"> <li>• Blue = Powered ON.</li> <li>• No Light = Not receiving power. Check the power switch and the power source connection.</li> </ul>
	<p><b>WiFi BROADCAST:</b> Indicates WiFi activity</p> <ul style="list-style-type: none"> <li>• Green = On and operating normally.</li> <li>• Yellow = Attention.</li> </ul>
	<p><b>INTEGRATED MODEM:</b> Indicates information about the integrated modem.</p> <ul style="list-style-type: none"> <li>• Green = Connected to integrated modem.</li> </ul>
	<p><b>SIGNAL STRENGTH:</b> Blue LED bars indicate the active modem's signal strength.</p> <ul style="list-style-type: none"> <li>• 4 Solid Bars = Strongest signal.</li> <li>• 1 Blinking Bar = Weakest signal. (A blinking bar indicates half of a bar.)</li> </ul>
<b>Other</b>	<p><b>ADDITIONAL LED INDICATIONS:</b></p> <ul style="list-style-type: none"> <li>• Several different LEDs blink when the factory reset button is detected.</li> <li>• Two of the modem LEDs blink red in unison for 10 seconds when there is an error during NCOS upgrade.</li> </ul>

## SUPPORT & WARRANTY

The COR IBR200 is only sold as a component of NetCloud Solution Packages.

- NetCloud Solution Packages include support for the full subscription term.
- All Cradlepoint hardware products are covered by a Limited Lifetime Warranty for as long as they are under a NetCloud Solution Package subscription.

The COR IBR200 includes a minimum three-year hardware warranty when purchased from an authorized Cradlepoint Partner.